

MODEL DJ-5C DISPATCHER 100

SERVICE PARTS CATALOG

THIS PUBLICATION REPLACES ALL PREVIOUS
EDITIONS OF DJ-5C SERVICE PARTS CATALOGS

AM General Corporation

SOUTH BEND, INDIANA 46623

NSN 7610-00-V02-0002 AM General Number 10303 Issued September 1978

CONTENTS

INTRODUCTION

LIST OF ILLUSTRATIONS

ENGINE 1

FUEL 2

EXHAUST 3

COOLING 4

ELECTRICAL 5

TRANSMISSION 6

PROPELLER SHAFT 7

FRONT AXLE 8

REAR AXLE 9

STEERING 10

BRAKES AND WHEELS 11

FRAME AND BUMPERS 12

SUSPENSION 13

BODY 14

HEATER 15

SPECIAL TOOLS 16

ALPHABETICAL INDEX

NUMERICAL INDEX

Printed in U.S.A.

AM General Corporation

SERVICE PARTS CATALOG

This manual printing contains all applicable Technical Data Bulletins as listed below. These bulletins may be found at the back of this manual. The date of the most recent applicable bulletin is 4-29-83.

108	PS-193
110	PS-198
114	PS-211
120	PS-220
121	PS-234
PS-142	PS-242
PS-169	PS-244
PS-181	PS-268
PS-190	

MODEL DJ-5C DISPATCHER 100 LIGHT DELIVERY TRUCK

Copyright 1975
Printed in the U.S.A.

AM General Corporation

SERVICE PARTS CATALOG

This manual printing contains all applicable Technical Data Bulletins as listed below. These bulletins may be found at the back of this manual. The date of the most recent applicable bulletin is 4-29-83.

108	PS-193
110	PS-198
114	PS-211
120	PS-220
121	PS-234
PS-142	PS-242
PS-169	PS-244
PS-181	PS-268
PS-190	

MODEL DJ-5C DISPATCHER 100 LIGHT DELIVERY TRUCK

Copyright 1975
Printed in the U.S.A.

GENERAL

This catalog is an illustrated list of repair parts for AM General model DJ-5C Dispatcher 100 vehicles.

CATALOG ARRANGEMENT

This catalog is divided into major sections in the sequence shown on the title page. Major sections are divided into smaller groups of parts, each with its own illustration. Immediately following this introduction is a complete listing of all illustrations in this catalog. The first page of each section also contains a listing for that section.

Illustrated items are numerically keyed to the text which is located on the facing page. Figure numbers are located at the bottom of each illustration and also in bold type at the beginning of a description column. Item numbers are keyed to illustrated items.

Alphabetical and Numerical Indexes are located at the end of the catalog.

PARTS SERVICED BY AM GENERAL

The AM General Corporation will service virtually all of the repair parts for this vehicle except those which are more economical and/or more practical to procure locally. The principal items not serviced are standard hardware, tires, batteries, fuses, lamp bulbs, sealants, lubricants, adhesives, paint, and standard sizes and types of tubing, hoses, and electrical connectors and fittings. Items which are listed in this catalog but are not serviced are indicated by the legend "N/S" in the part number column.

SPECIAL TOOLS

Special tools and equipment listed in this catalog are not offered for sale by AM General. Information regarding their availability can be obtained from your AM General Service Representative or from the factory.

HOW TO LOCATE PARTS

When function, use, or location is known: Refer to the List of Illustrations.

When nomenclature is known: Refer to the Alphabetical Index.

When part number is known: Refer to the Numerical Index.

USAGE CODES

DJ-5C vehicles are equipped with three different engines. When a part is peculiar to one or the other, a usage code is shown in the Service Parts List, immediately following the description of the part. If no code is shown, the part is applicable to all engines. The explanation of the codes used in the Service Parts List is as follows:

Code (A) - This code is applicable to the vehicles equipped with engines having the following serial numbers:

Right-Hand Drive Vehicles

310001 thru 315075
510001 thru 510057
510060 thru 510061
510137 thru 510140

Left-Hand Drive Vehicles

300001 thru 303102
400001 thru 400015
500001 thru 500048

Code (B) - This code is applicable to the vehicles equipped with engines having the following serial numbers:

Right-Hand Drive Vehicles

315076 thru 318089
410001 thru 418886
510058 thru 510059
510062 thru 510136
510141 thru 510832

Left-Hand Drive Vehicles

303103 thru 303336
400016 thru 400945
500049 thru 500245

Code (C) - This code is applicable to the vehicles equipped with engines having the following serial numbers:

Right-Hand Drive Vehicles

510833 up

Left-Hand Drive Vehicles

400946 thru 401582
500246 thru 509999

HOW TO ORDER SERVICE PARTS

List the part number, quantity, and description of the parts.

Define shipping instructions on other than scheduled stock orders. Unless designated, shipment will be made by motor freight or parcel post at the discretion of the shipper.

Address parts orders to:

Parts Department
AM General Corporation
701 W. Chippewa Avenue
South Bend, Indiana 46623

Personnel are on duty to accept telephone orders from 7:00 A.M. to 5:00 P.M., Eastern Standard Time, five days per week. The telephone numbers are (219)-287-5011, extensions 447 or 448, or (219)-287-7844.

DAMAGED SHIPMENTS, SHORTAGES OR ERRORS

All shipments are properly packed and are in good order when delivered to the transportation company. Responsibility ends with such delivery. When a damaged shipment is received, a claim should be filed immediately against the carrier making delivery.

All claims for shortages or errors in packing must be made—to the same address from which the parts were ordered—within ten (10) days from receipt of shipment, and must be accompanied by the original packing slip, with proper notation of shortage or error signed by responsible person in receiving department.

ABBREVIATIONS

Abbreviations used in this catalog are as follows:

Adj	Adjusting	Incl	Includes
AR	As Required	L.H.	Left-Hand
Assy	Assembly	L.H.D.	Left-Hand Drive
Brkt	Bracket	N/A	Not Applicable
C.E.	Commutator End	N/I	Not Illustrated
CTL	Cut to length from	N/S	Not Serviced
D.E.	Drive End	O.D.	Outside Diameter
Dia	Diameter	O.S.	Oversize
Frt	Front	R.H.	Right-Hand
Ft.	Foot or Feet	R.H.D.	Right-Hand Drive
Gal	Gallon	Supt.	Support
H.D.	Heavy Duty	U.S.	Undersize
Hsg	Housing	V	Volt
I.D.	Inside Diameter	W/	With
In	Inch or Inches	W/O	Without

SUGGESTIONS AND RECOMMENDATIONS

Recommendations for improving or correcting this catalog are encouraged. Please forward corrections or recommendations directly to the AM General Corporation, Attention: Publications Department.

LIST OF ILLUSTRATIONS

Title	Figure Number	Title	Figure Number
Section 1			
Cylinder Block	1-1	Main Light Switch	5-10
Cylinder Head, Valves, Springs, Tappets, Rocker Arms and Push Rods	1-2	Headlamp Dimmer Switch	5-11
Crankshaft, Vibration Damper, and Main Bearings	1-3	Ignition/Starter Switch	5-12
Connecting Rods and Bearings, Pistons, Pins, and Rings	1-4	Stoplight Switch	5-13
Valve Rocker Arm Cover (A & B)	1-5	Dome Light	5-14
Valve Rocker Arm Cover (C)	1-6	Front Marker/Reflector	5-15
Camshaft and Timing Chain	1-7	Rear/Side Marker Lamp	5-16
Oil Pump	1-8	Back-Up Lamp Assy	5-17
Oil Pan	1-9	Tail, Stop and License Plate Lamps & Reflector	5-18
Oil Filter	1-10	Directional Signal Switch	5-19
Engine Mounting	1-11	Flasher Switch	5-20
Manifolds	1-12	Circuit Breaker & Fuse Panel	5-21
Section 2			
Fuel Tank and Lines (A & B)	2-1	Horns	5-22
Fuel Tank and Lines (C)	2-2	Battery Support & Cables	5-23
Carburetor	2-3	Instruments	5-24
Fuel Pump and Filter	2-4	Body Wiring Harness	5-25
Air Cleaner, Heat Shrouds and Duct	2-5	Chassis Wiring Harness	5-26
Choke Heater Tube	2-6	Section 6	
Accelerator Control	2-7	Case, Rear Adapter & Oil Pan (M-11)	6-1
Section 3			
Exhaust System	3-1	Torque Converter (M-11)	6-2
Section 4			
Cooling System Components	4-1	Vacuum Modulator (M-11)	6-3
Section 5			
Alternator (A & B)	5-1	Valve Body, Downshift Solenoid and Terminal (M-11)	6-4
Alternator (C)	5-2	Park/Lock Components (M-11)	6-5
Starting Motor	5-3	Oil Pump (M-11)	6-6
Distributor (A & B)	5-4	Front Servo (M-11)	6-7
Distributor (C)	5-5	Rear Servo (M-11)	6-8
Coil and Electronic Ignition Unit	5-6	Front & Rear Bands (M-11)	6-9
Headlamp	5-7	Front Clutch (M-11)	6-10
Front Signal Lamp	5-8	Rear Extension Housing and Bearing Retainer (M-11)	6-11
Rear Signal Lamp	5-9	Forward Sun Gear, Output Shaft Governor, and Speedo Drive Gear (M-11)	6-12
		Rear Clutch (M-11)	6-13
		Shift Controls - At Transmission (M-11)	6-14
		Shift Controls-Floor Mounted	6-15
		Transmission Mounting	6-16

LIST OF ILLUSTRATIONS

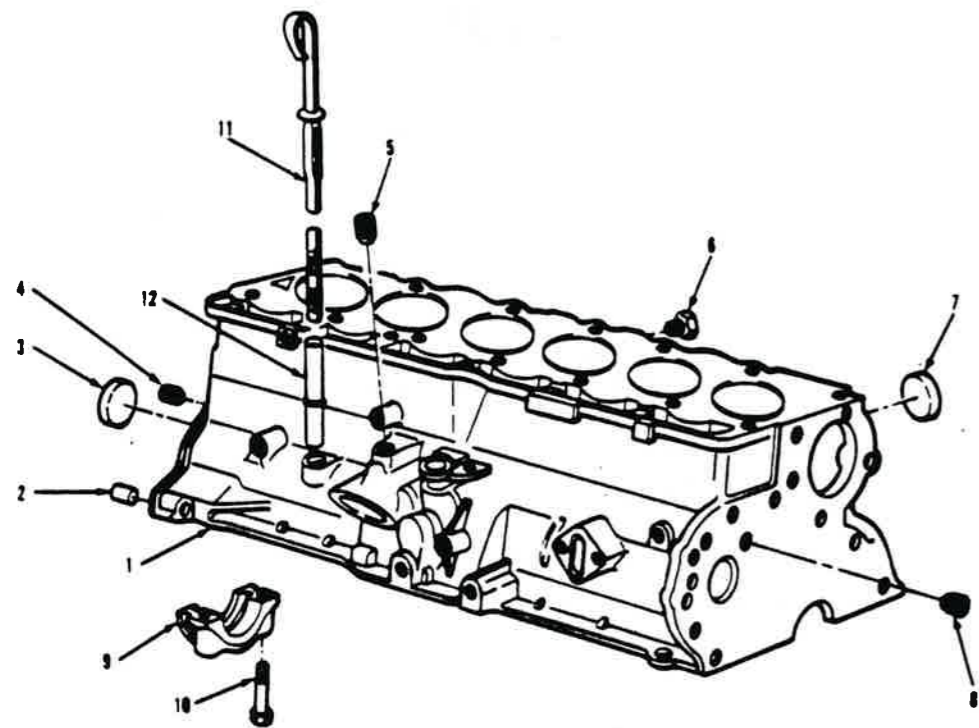
Title	Figure Number	Title	Figure Number
Section 11			
Oil Cooler Tubes (M-11)	6-17	Hand (Parking) Brake	11-1
Seals & Gaskets (M-11)	6-18	Wheel Brakes	11-2
Case, Rear Adapter & Oil Pan (M-43)	6-19	Wheel Cylinders	11-3
Torque Converter & Housing (M-43)	6-20	Master Cylinder	11-4
Vacuum Modulator (M-43)	6-21	Brake Warning Valve & Switch	11-5
Valve Body & Down-Shift Solenoid (M-43)	6-22	Brake Hose & Tubes	11-6
Park/Lock Components (M-43)	6-23	Brake Pedal	11-7
Oil Pump (M-43)	6-24	Wheels	11-8
Front Servo (M-43)	6-25	Section 12	
Rear Servo (M-43)	6-26	Frame Assembly	12-1
Front & Rear Bands (M-43)	6-27	Section 13	
Front Clutch (M-43)	6-28	Front Spring and Shock Absorbers	13-1
Rear Bearing Retainer (Extension Housing) (M-43)	6-29	Rear Spring and Shock Absorbers	13-2
Speedometer, Governor, Forward Sun Gear and Output Shaft (M-43)	6-30	Section 14	
Rear Clutch (M-43)	6-31	Front Fenders & Grille	14-1
Shift Controls - At Transmission (M-43)	6-32	Hood	14-2
Oil Cooler Tubes (M-43)	6-33	Body Front End and Underbody (Left Front View)	14-3
Section 7			
Propeller Shaft and Universal Joints (M-11)	7-1	Body Front End and Underbody (Right Rear View)	14-4
Propeller Shaft and Universal Joints (M-43)	7-2	Body Sides & Roof	14-5
Section 8			
Front Axle	8-1	Side Doors	14-6
Front Wheel Hub, Drum and Bearings	8-2	Rear Door	14-7
Section 9			
Rear Axle	9-1	Seats	14-8
Differential	9-2	Seat Belts	14-9
Section 10			
Tie Rod	10-1	Convex Mirror - Fender Mount	14-10
Drag Link	10-2	Driver's Side Mirror	14-11
Steering Damper	10-3	Passenger Side Mirrors	14-12
Steering Gear - LHD - Saginaw	10-4	Inside Mirror	14-13
Steering Gear - RHD - Ross	10-5	Sun Visor	14-14
Steering Column and Shafts	10-6	Windshield Washer	14-15
Section 15			
		Windshield Wiper	14-16
		Windshield Wiper & Washer Switch	14-17
Section 16			
		Heater and Defroster	15-1
No Illustration			

Section 1

ENGINE

List of Illustration

Title	Figure Number
Cylinder Block	1-1
Cylinder Head, Valves, Springs, Tappets, Rocker Arms and Push Rods	1-2
Crankshaft, Vibration Damper, and Main Bearings	1-3
Connecting Rods and Bearings, Pistons, Pins, and Rings	1-4
Valve Rocker Arm Cover (A & B)	1-5
Valve Rocker Arm Cover (C)	1-6
Camshaft and Timing Chain	1-7
Oil Pump	1-8
Oil Pan	1-9
Oil Filter	1-10
Engine Mounting	1-11
Manifolds	1-12



5080

Figure 1-1 Cylinder Block

AM General Corporation

Item	Part Number	Description	Quantity Per Vehicle	
			LHD	RHD
		Figure 1-1 CYLINDER BLOCK		
	8124962	Engine Assy. Short (A)	1	1
	8124232	Engine Assy. Short (B)	1	1
	8125418	Engine Assy. Short (C)	1	1
		Consists of: cylinder block, pistons, pins, rings, connecting rods, main bearings, crankshaft, camshaft, camshaft bearings, timing gears and timing chain.		
	8122936	Gasket Set, Engine Valve Grind (A & B)	1	1
	8125721	Gasket Set, Engine Valve Grind (C)	1	1
		Includes All Gaskets And Seals Necessary For An Engine Valve Grind		
	8122334	Gasket Set, Engine Overhaul (A & B)	1	1
		Includes All Gaskets And Seals Necessary For A Complete Engine Overhaul		
	8125722	Gasket Set, Lower (C)	1	1
		Includes all gaskets for lower part of engine.		
	8124335	Cylinder Block Assy. (A & B)	1	1
	8125445	Cylinder Block Assy. (C)	1	1
		Above Blocks Consist Of:		
1	N/S	Cylinder Block	1	1
2	N/S	Dowels, Converter Housing	2	2
3	N/S	Plug, Rear Machined Hole	1	1
4	N/S	Plug, Oil Channel - Rear	1	1
5	N/S	Plug, Oil Filter Bypass	1	1
6	N/S	Plug, Cylinder Block Drain	1	1
7	N/S	Plugs, Cylinder Block Core Hole	4	4
8	N/S	Plug, Oil Channel - Front	1	1
9	N/S	Caps, Crankshaft Main Bearing	7	7
10	N/S	Bolts, Crankshaft Main Bearing Cap	14	14
11	3173366	Indicator, Oil Level (Dipstick)	1	1
12	3176846	Tube, Indicator	1	1

AM General Corporation

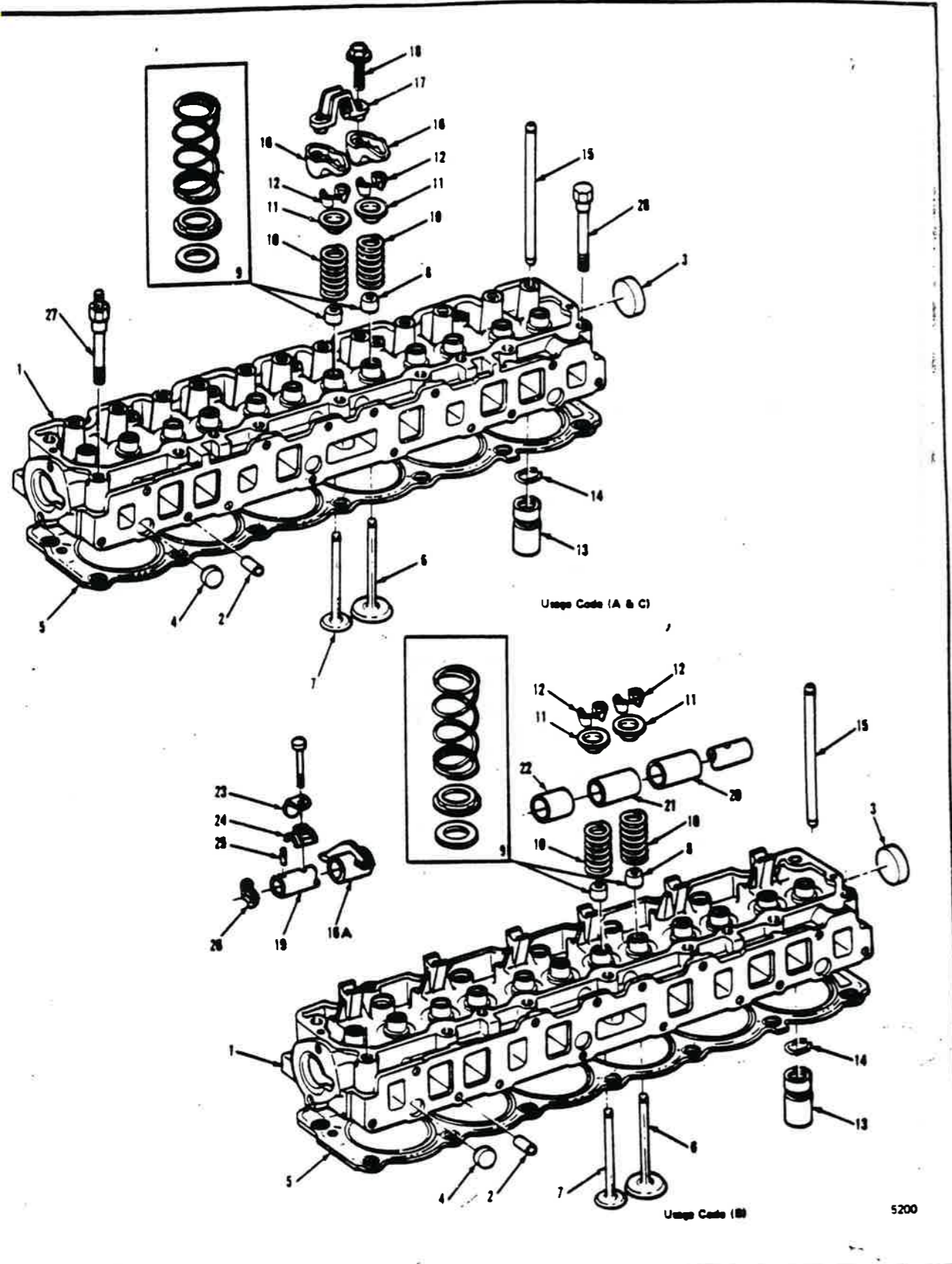


Figure 1-2 Cylinder Head, Valves, Springs, Tappets, Rocker Arms and Push Rods

AM General Corporation

Item	Part Number	Description	Quantity Per Vehicle	
			LHD	RHD
		Figure 1-2 CYLINDER HEAD, VALVES, SPRINGS, TAPPETS, ROCKER ARMS and PUSH RODS		
	8122375	Cylinder Head Assy (Less Valves) (A)	1	1
	8123358	Cylinder Head Assy (Less Valves) (B)	1	1
	8125454	Cylinder Head Assy (Less Valves) (C)	1	1
		Consists of:		
1	N/S	Cylinder Head.....	1	1
2	3172319	Plug.....	1	1
3	N/S	Plug, Core.....	3	3
4	3172318	Pin, Dowel.....	2	2
5	3190345	Gasket, Cylinder Head.....	1	1
6	3218732	Valve, Intake (Std.).....	1	1
	3218810	Valve, Intake (+.015").....	6	6
7	3224597	Valve, Exhaust (Std.).....	6	6
	3224603	Valve, Exhaust (+.015").....	6	6
8	3218976	Deflector, Valve Stem.....	6	6
9	3207534	Seal Set (Set of 12).....	1	1
10	3183979	Spring, Valve.....	1	1
11	3223235	Retainer, Valve Spring.....	1	1
12	3156157	Lock, Valve Spring Retainer.....	12	12
13	3222276	Tappet Assy.....	12	12
14	6440614	Snap Ring.....	12	12
15	3214013	Rod, Valve Push (A & C).....	12	12
	3210203	Rod, Valve Push (B).....	12	12
16	3223888	Arm, Valve Rocker (A & C).....	12	12
16	3223455	Arm, Valve Rocker (B).....	12	12
17	3210178	Pivot, Rocker Arm (A & C).....	6	6
18	8120512	Bolt, Pivot (A & C).....	6	6
19	3172301	Rocker Arm Shaft (B).....	1	1
20	3173081	Spacer, End (B).....	2	2
21	3173080	Spacer, Intermediate (B).....	2	2
22	3173079	Spacer, Center (B).....	1	1
23	3173392	Deflector, Oil (B).....	1	1
24	3172310	Cap (B).....	6	6
25	G-273937	Spring Pin (B).....	2	2
26	3172311	Spring Washer (B).....	1	1
27	3184092	Bolt, Cylinder Head (5-9/16" Long).....	4	4
28	3172330	Bolt, Cylinder Head (4-7/16" Long).....	11	11

AM General Corporation

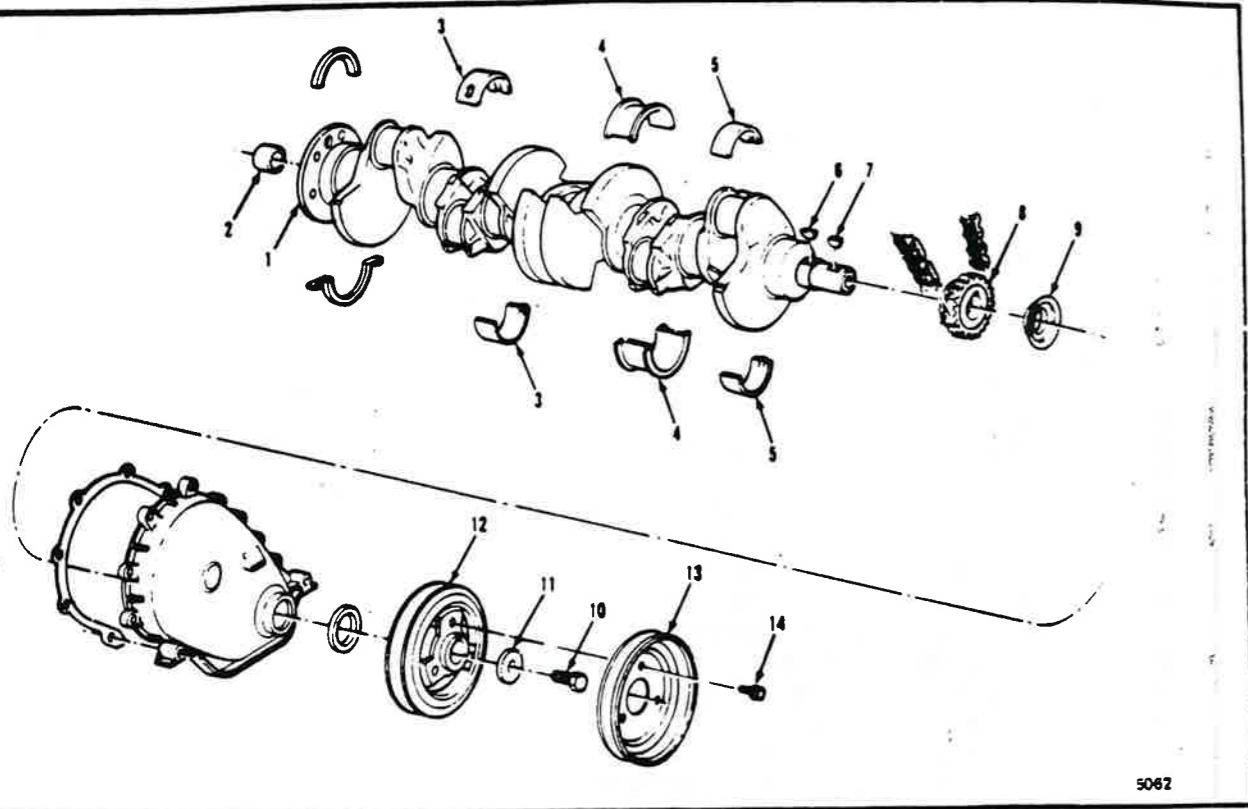


Figure 1-3 Crankshaft Vibration Damper and Main Bearings

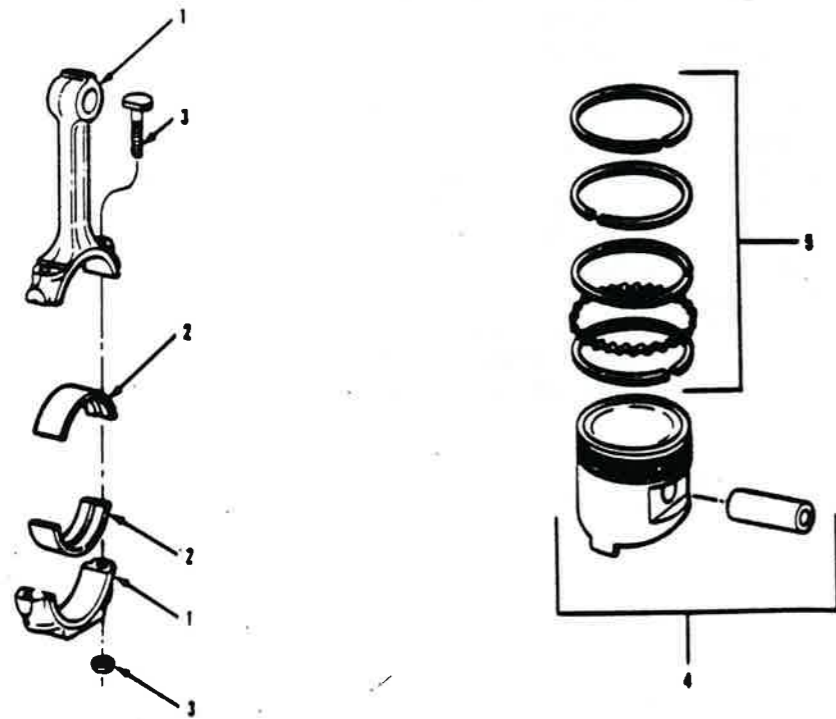
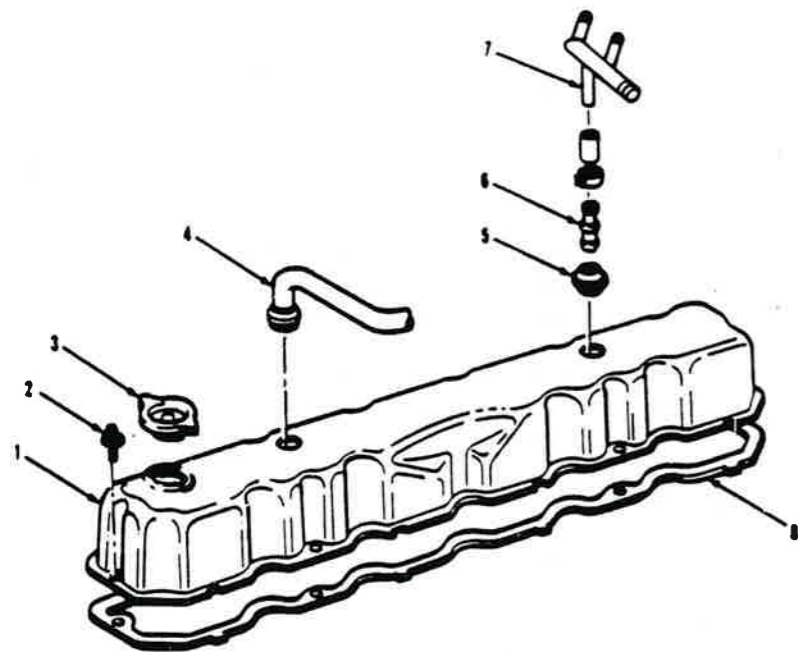


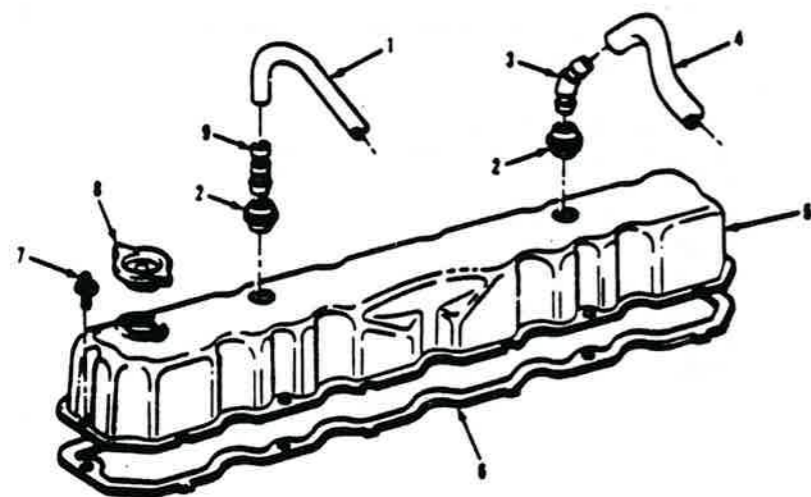
Figure 1-4 Connecting Rods and Bearings, Pistons, Pins and Rings

Item	Part Number	Description	Quantity Per Vehicle	
			LHD	RHD
Figure 1-3 CRANKSHAFT, VIBRATION DAMPER AND MAIN BEARINGS				
	8120507	Crankshaft Assy.....	1	1
1		Crankshaft		
2		Pilot Bushing		
3	3207954	Main Bearings, Upper & Lower for Front No. 2, 4, 5, 6 & 7 (Std.)	6	6
	3207955	Main Bearings, Upper & Lower for Front No. 2, 4, 5, 6 & 7 (.001" US).....	6	6
4	3207959	Main Bearings, Upper & Lower for No. 3 (Std.)	1	1
	3205331	Main Bearings, Upper & Lower for No. 3 (.001" US)	1	1
5	See Fig. 1-4	Rod Bearings		
6	3107002	Key, Sprocket	1	1
7	3107234	Key, Damper	1	1
8	3173205	Sprocket, Crankshaft	1	1
9	3173078	Slinger, Oil Sprocket	1	1
10	N/S	Bolt	1	1
11	3180206	Washer	1	1
12	3211894	Damper, Vibration (A & B)	1	1
	3225201	Damper, Vibration (C)	1	1
13	3224690	Pulley, Damper Accessory Drive	1	1
14	N/S	Bolt	3	3
Figure 1-4 CONNECTING RODS AND BEARINGS, PISTONS, PINS, AND RINGS				
1	3173210	Rod Assembly, Connecting	6	6
2	4486992	Bearing Set, Connecting Rod (Standard)	6	6
	4486993	Bearing Set, Connecting Rod (.001" US)	6	6
	4486994	Bearing Set, Connecting Rod (.002" US)	6	6
	4486995	Bearing Set, Connecting Rod (.010" US)	8	6
3	4486626	Kit, Nut and Bolt, Connecting Rod	12	12
4	4488672	Pin and Piston Assembly (Standard)	6	6
	4488673	Pin and Piston Assembly (.010" Oversize).....	6	6
5	8121683	Ring Set, Piston (Standard)	1	1
	8121684	Ring Set, Piston (.010" Oversize)	1	1



5201

Figure 1-5 Valve Rocker Arm Cover (A & B)



5084

Figure 1-6 Valve Rocker Arm Cover (C)

AM General Corporation

Item	Part Number	Description	Quantity Per Vehicle	
			LHD	RHD
Figure 1-5 VALVE ROCKER ARM COVER (A & B)				
1	3218718	Cover, Valve Rocker Arm	1	1
2	4000765	Screw and Lockwasher Assy	7	7
3	3174645	Cap, Oil Filter	1	1
4	5900689	Hose, PCV To Intake Manifold	1	1
5	3178622	Grommet, C/Case Vent Valve	1	1
6	3182478	Valve, Positive Crankcase Ventilation	1	1
7	3211498	Tee, PCV Connection	1	1
8	3179112	Gasket, Cover	1	1
 Figure 1-6 VALVE ROCKER ARM COVER (C)				
1	3224381	Hose, PCV Valve to Manifold	1	1
2	3225627	Grommet, Cover	2	2
3	3224387	Elbow, PCV Filter Hose	1	1
4	5964998	Hose, Air Cleaner to Valve Cover	1	1
5	3226073	Cover Assy, Valve Rocker Arm	1	1
6	3179112	Gasket, Cover	1	1
7	4000765	Screw, Spec. Hex 1/4 - 20 x 5/8 - Cover	2	2
8	3174645	Cap, Oil Filler (W/Seal)	1	1
9	3211538	Valve Assy, Crankcase Vent (PCV)	1	1

AM General Corporation

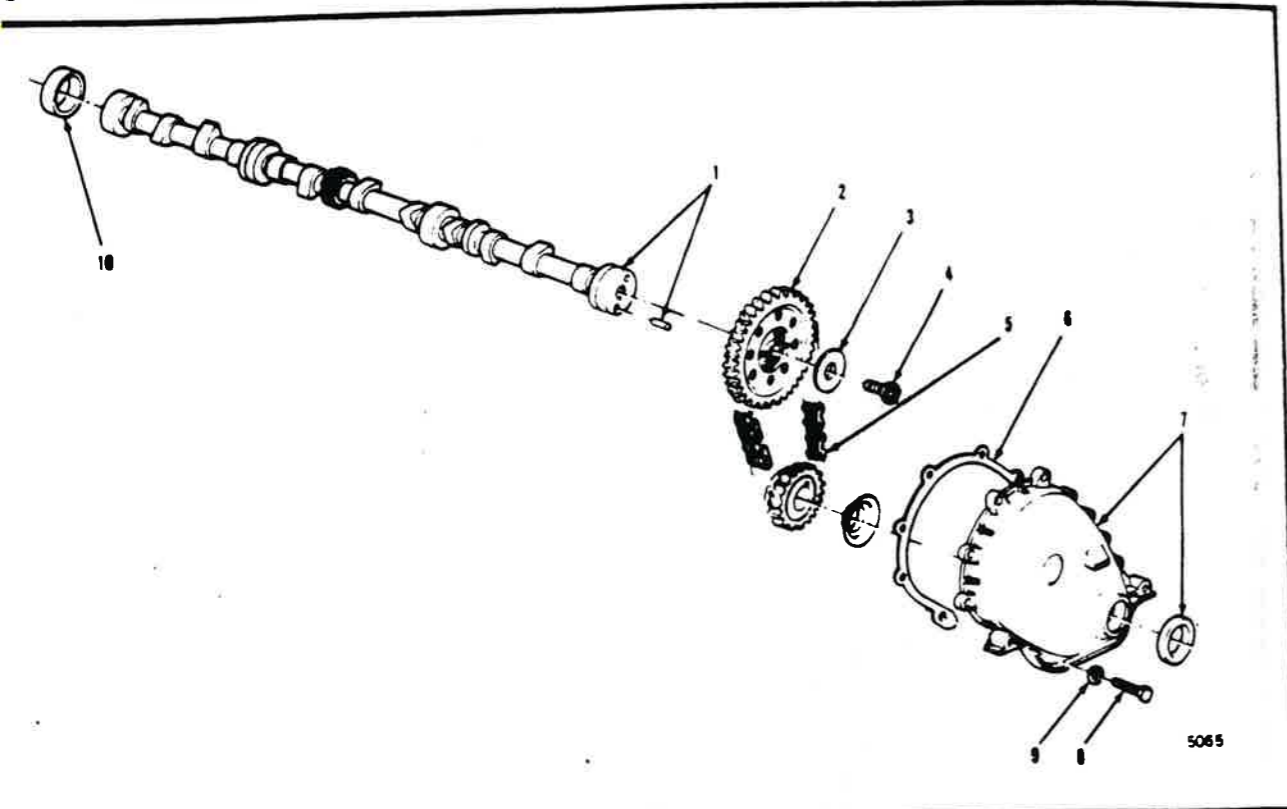


Figure 1-7 Camshaft and Timing Chain

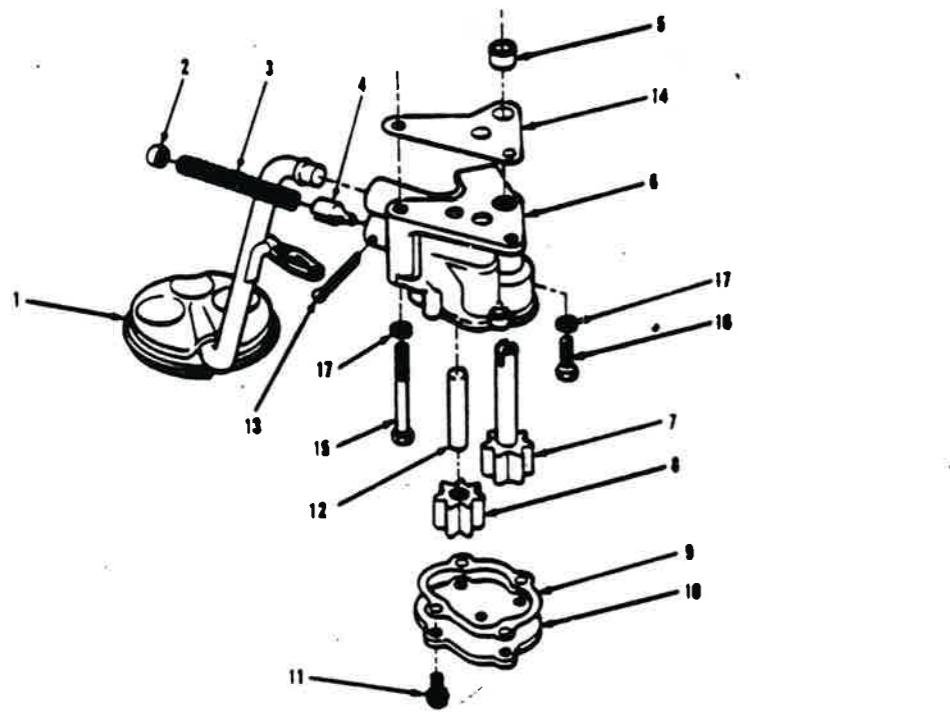
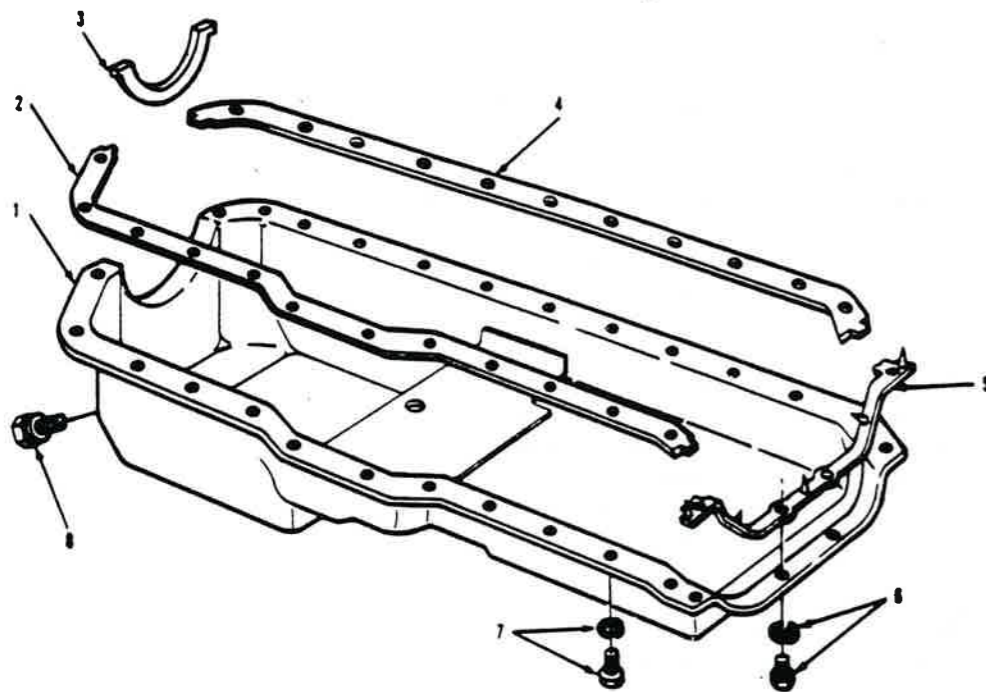


Figure 1-8 Oil Pump

AM General Corporation

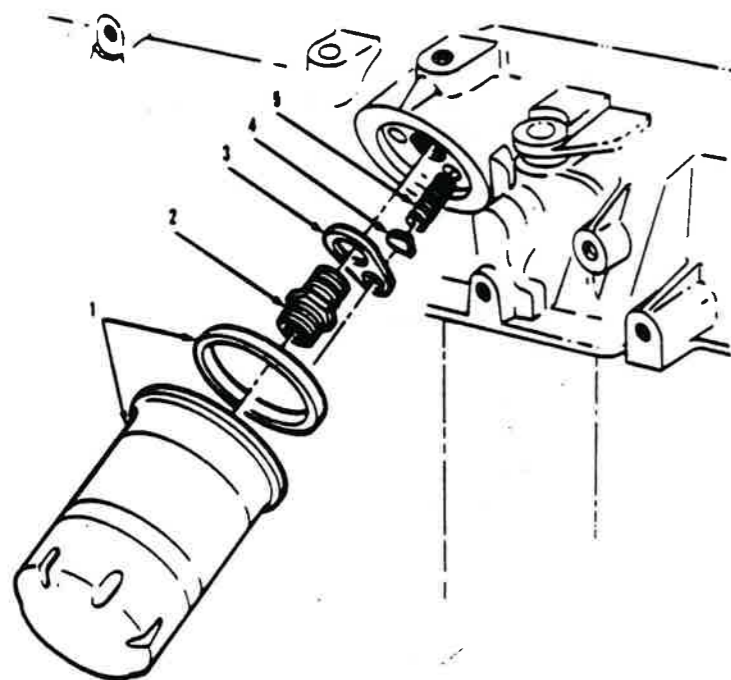
Item	Part Number	Description	Quantity Per Vehicle	
			LHD	RHD
Figure 1-7 CAMSHAFT AND TIMING CHAIN				
1	8120663	Camshaft & Dowel Pin Assy (A & C)	1	1
	4488879	Camshaft & Dowel Pin Assy (B)	1	1
2	3206693	Sprocket, Camshaft	1	1
3	3173284	Washer, Sprocket	1	1
4	3172308	Bolt, Camshaft Sprocket	1	1
5	3172307	Chain, Timing	1	1
6	3218621	Gasket, Front Cover (A & B)	1	1
	3225187	Gasket, Front Cover (C)	1	1
7	3218623	Cover & Seal Assembly (A & B)	1	1
	3225186	Cover & Seal Assembly (C)	1	1
	3194171	Seal, Cover	1	1
8	N/S	Bolt, Front Cover	1	1
9	N/S	Lockwasher	6	6
	N/S	Stud Bolt, Front Cover (A & B)	2	2
	4005133	Stud Bolt, Front Cover (C)	2	2
10	3205711	Bearing Set (Std.)	1	1
	3208985	Bearing Set (+ .010")	1	1
 Figure 1-8 OIL PUMP				
	3215339	Oil Pump Assy.	1	1
1	3215338	Tube, Screen and Bracket, Oil Pump Inlet	1	1
2	3171958	Retainer, Oil Pump Release Valve Spring	1	1
3	3211034	Spring, Oil Release Valve	1	1
4	N/S	Plunger, Oil Pump Release Valve	1	1
5	3173090	Bushing, Oil Pump to Cylinder Block	1	1
6	N/S	Body, Oil Pump	1	1
7	3172334	Gear, Oil Pump Drive	1	1
8	3196843	Gear, Oil Pump Idler	1	1
9	3172337	Gasket, Oil Pump Cover	1	1
10	3216612	Cover, Oil Pump	1	1
11	N/S	Bolt & Lockwasher, Cover	4	4
12	3171958	Shaft, Oil Pump Idler Gear	1	1
13	N/S	Pin, Oil Pump Rel. Valve Spring Cotter	1	1
14	3172332	Gasket, Oil Pump to Block	1	1
15	N/S	Bolt, Oil Pump to Block, Long	1	1
16	N/S	Bolt, Oil Pump to Block, Short	1	1
17	N/S	Lockwasher, Oil Pump to Block Bolt	2	2

AM General Corporation



5087

Figure 1-9 Oil Pan



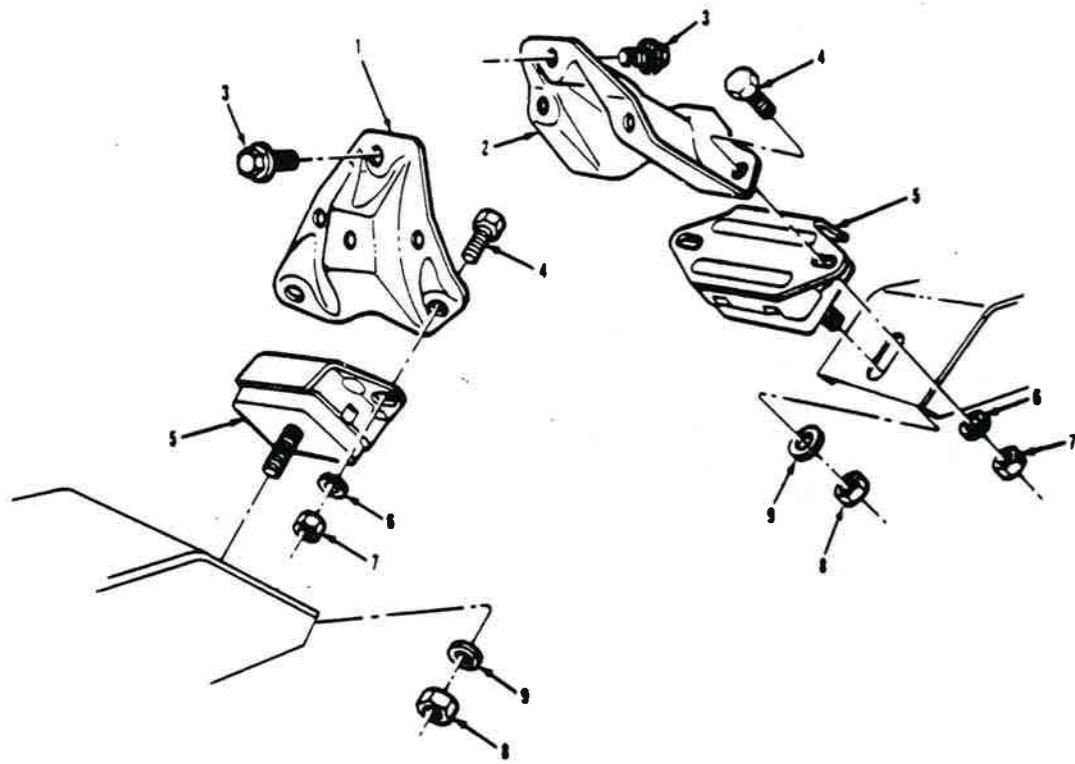
5088

Figure 1-10 Oil Filter

AM General Corporation

Item	Part Number	Description	Quantity Per Vehicle	
			LHD	RHD
Figure 1-9 OIL PAN				
1	3226058	Oil Pan Assy (A & B)	1	1
	3224097	Oil Pan Assy (C)	1	1
	4488770	Gasket Set, Oil Pan	1	1
		Consists of:		
2	N/S	Gasket, Oil Pan, Right	1	1
3	N/S	Gasket, Oil Pan, Rear	1	1
4	N/S	Gasket, Oil Pan, Left	1	1
5	N/S	Gasket, Oil Pan, Front	1	1
6	3162258	Screw & Lockwasher	4	4
7	N/S	Screw & Lockwasher	24	24
8	3206696	Plug & Gasket, Oil Drain	1	1
Figure 1-10 OIL FILTER				
1	996900	Oil Filter Assy (A & B)	1	1
	8993146	Oil Filter Assy (C)	1	1
2	3173226	Connector, Bypass	1	1
3	3173225	Retainer, Bypass Valve Spring	1	1
4	3173203	Valve, Bypass	1	1
5	3173224	Spring, Bypass	1	1

AM General Corporation



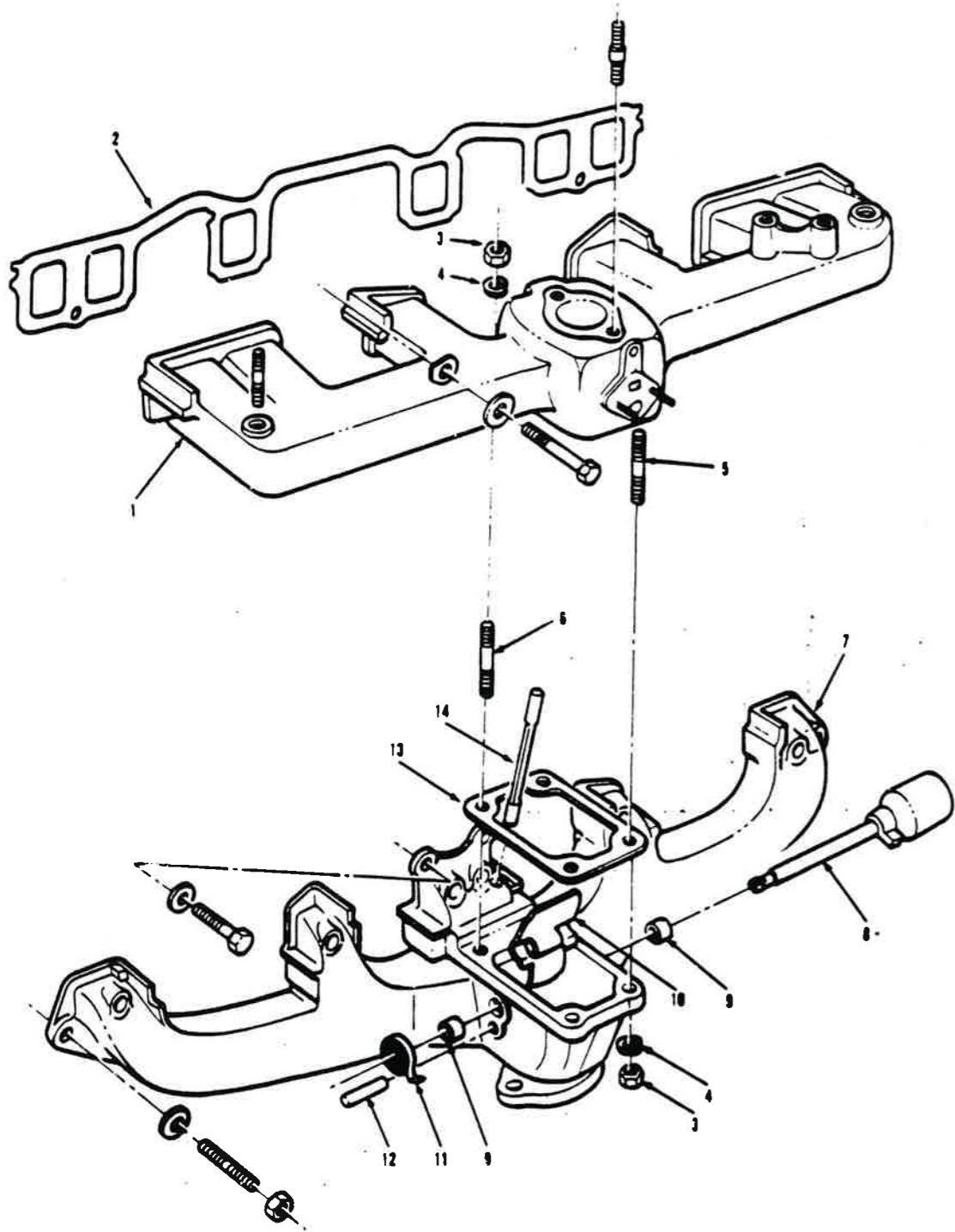
5070

Figure 1-11 Engine Mounting

AM General Corporation

Item	Part Number	Description	Quantity Per Vehicle	
			LHD	RHD
Figure 1-11 ENGINE MOUNTING				
1	3173590	Bracket, Front Support Right	1	1
2	3173589	Bracket, Front Support Left	1	1
3	N/S	Screw	6	6
4	N/S	Bolt	4	4
5	3173681	Cushion, Engine Front Support (A & B)	2	2
	3223621	Cushion, Engine Front Support (C)	1	1
6	N/S	Lockwasher	4	4
7	N/S	Nut	4	4
8	N/S	Nut	2	2
9	N/S	Washer	2	2

AM General Corporation



5000

Figure 1-12 Manifolds

AM General Corporation

Item	Part Number	Description	Quantity Per Vehicle	
			LHD	RHD
Figure 1-12 MANIFOLDS				
1	8122268	Manifold Assembly, Intake (A & B)	1	1
	8125465	Manifold Assembly, Intake (C)	1	1
2	3183945	Gasket, Int. Manifold to Cylinder Head	1	1
3	N/S	Nut	4	4
4	N/S	Lockwasher	4	4
5	N/S	Stud	2	2
6	N/S	Stud	2	2
7	4486525	Manifold Assembly, Exhaust (A & B)	1	1
	8125075	Manifold Assembly, Exhaust (C)	1	1
	3209872	Kit, Damper, Exhaust Manifold (A & B)	1	1
	8125076	Kit, Damper, Exhaust Manifold (C)	1	1
Above Kits Consist of:				
8	N/S	Counter Weight & Shaft	1	1
9	N/S	Bushings	2	2
10	N/S	Valve, Exhaust Manifold Heat	1	1
11	N/S	Spring, Bi-Metal	1	1
		Spring, Anti-Rattle	1	1
12	N/S	Pin, Grooved	1	1
		Screw	1	1
13	3184277	Gasket, Intake to Exhaust Manifold	1	1
14	3219774	Tube, Choke Heater (In Exhaust Manifold) (A & B)	1	1
	3223024	Tube, Choke Heater (In Exhaust Manifold) (C)	1	1

AM General Corporation

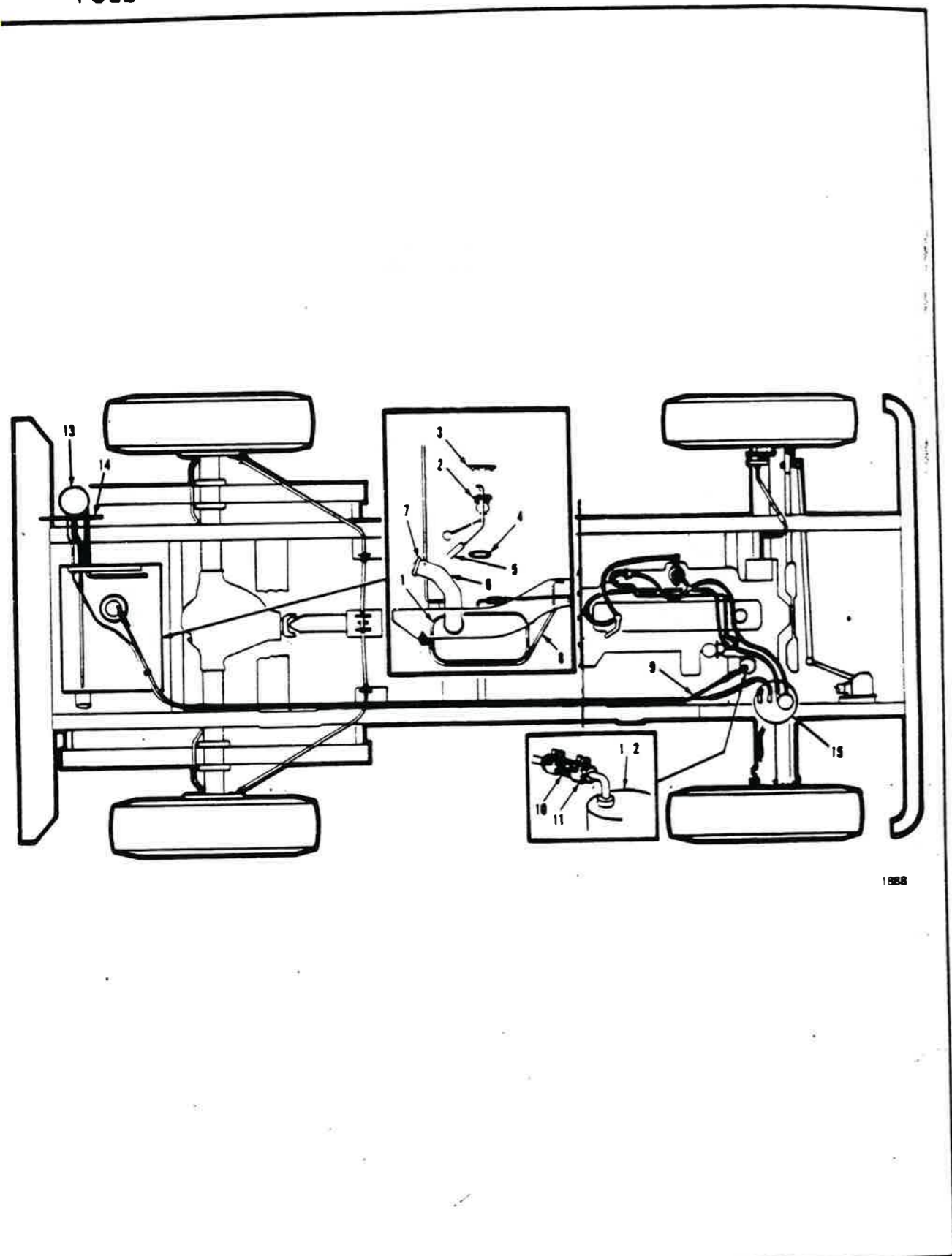
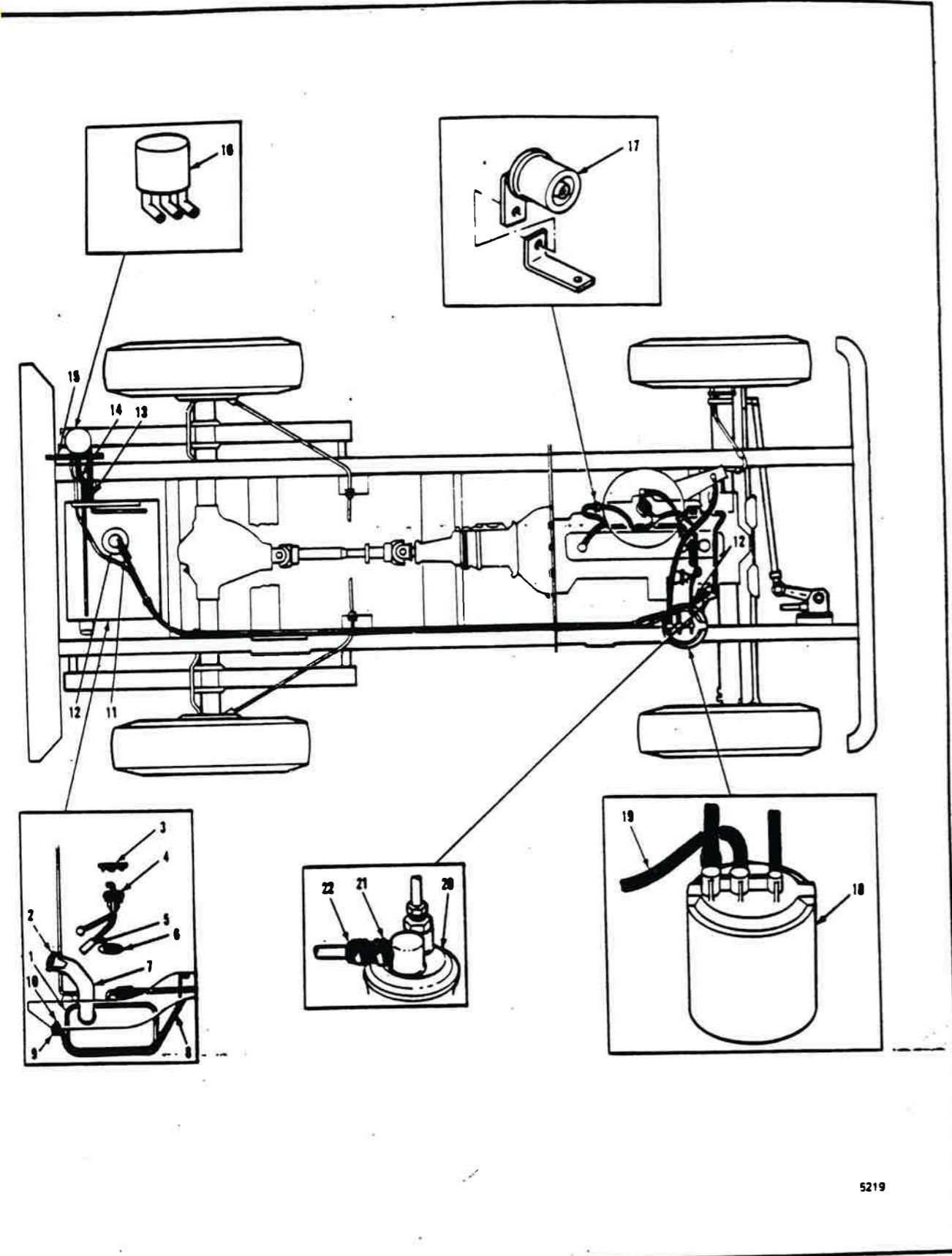


Figure 2-1 Fuel Tank and Lines (A & B)

AM General Corporation

Item	Part Number	Description	Quantity Per Vehicle	
			LHD	RHD
Figure 2-1 FUEL TANK AND LINES (A & B)				
1	997626	Tank Assembly, Fuel	1	1
	996362	Kit, Gauge, Fuel Tank	1	1
2	N/S	Gauge Assy, Fuel Tank	1	1
3	N/S	Ring, Locking, Fuel Gauge	1	1
4	941521	Gasket, Fuel Gauge to Tank	1	1
5	N/S	Filter Assy, Fuel Tank	1	1
6	996675	Pipe, Fuel Tank	1	1
NI	663502	Grommet, Fuel Tank Filler Pipe	1	1
NI	979523	Bracket, Filler Neck	1	1
NI	996677	Hose, Connecting, Filler Pipe to Tank	1	1
7	997597	Cap, Chain and Loop Assy	1	1
8	997063	Strap, Fuel Tank Support	2	2
9	N/S	Line, Fuel Tank to Pump	1	1
10	N/S	Hose, Connection, Fuel to Pump	1	1
11	N/S	Clamp, Hose, Fuel Pump Connection	2	2
NI	G-117959	Grommet, Fuel Line to Expansion Tank	1	1
12	See Fig. 2-4	Fuel Pump	1	1
13	5900418	Tank Fuel Expansion	1	1
14	5900416	Shield, Expansion Tank	1	1
15	3219216	Canister, Fuel Vapor	1	1
	8120330	Filter, Canister	1	1
NI	5962984	Bracket and Strap, Canister Mounting	1	1
NI	3219351	Hose, Canister to PCV Tee	1	1

AM General Corporation



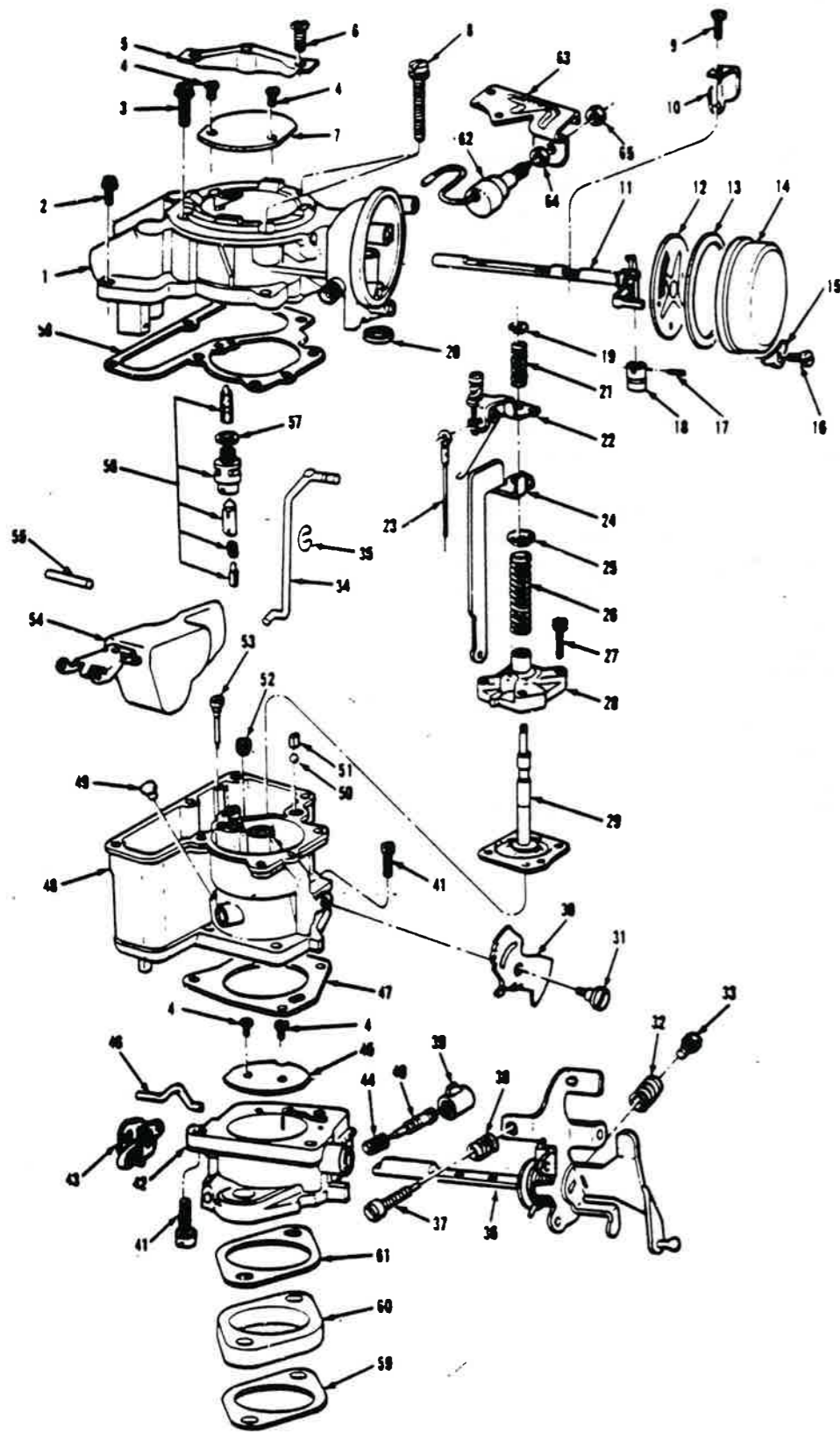
5219

Figure 2-2 Fuel Tank and Lines (C)

AM General Corporation

Item	Part Number	Description	Quantity Per Vehicle	
			LHD	RHD
Figure 2-2 FUEL TANK AND LINES (C)				
1	997826	Tank Assy. Fuel.....	1	1
2	997007	Cap Assy. With Safety Chain.....	1	1
	996362	Kit. Fuel Gauge, Tank Unit.....		
3	N/S	Ring, Lock.....	1	1
4	N/S	Gauge, Tank Unit.....	1	1
5	N/S	Filter, Fuel Tank.....	1	1
6	941521	Gasket.....	1	1
7	5902430	Pipe Assy, Fuel Tank Filler.....	1	1
8	997063	Strap, Fuel Tank Support.....	2	2
9	N/S	Bolt, Strap to Crossmember.....	2	2
10	N/S	Nut, Strap to Crossmember.....	2	2
11	N/S	Clamp, Fuel Line Connection Hose.....	2	2
12	N/S	Hose, Connection.....	1	1
13	N/S	Hose, Vent Tube to Expansion Tank.....	1	1
14	N/S	Hose, Vent Tube to Expansion Tank.....	1	1
15	5900418	Shield Assy, Expansion Tank.....	1	1
16	5900418	Tank, Fuel Expansion.....	1	1
17	3218737	Valve, Solenoid Vacuum.....	1	1
18	3226809	Canister, Fuel Vapor.....	1	1
	8120330	Filter, Canister.....	1	1
N1	3219102	Bracket, Canister.....	1	1
19	N/S	Hose, Expansion Tank To Canister.....	1	1
20	See Fig. 2-4	Fuel Pump Assy.....	1	1
21	N/S	Clamp, Hose.....	2	2
22	N/S	Hose, Fuel Line.....	1	1
N1	997331	Loop, Cap Retainer.....	1	1

AM General Corporation



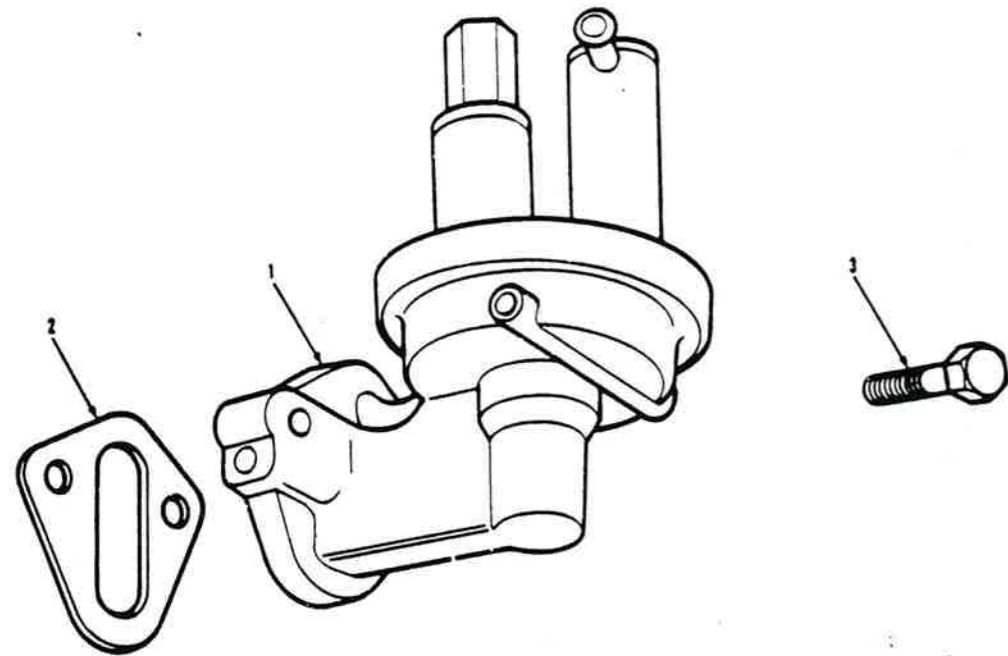
5073

Figure 2-3 Carburetor

AM General Corporation

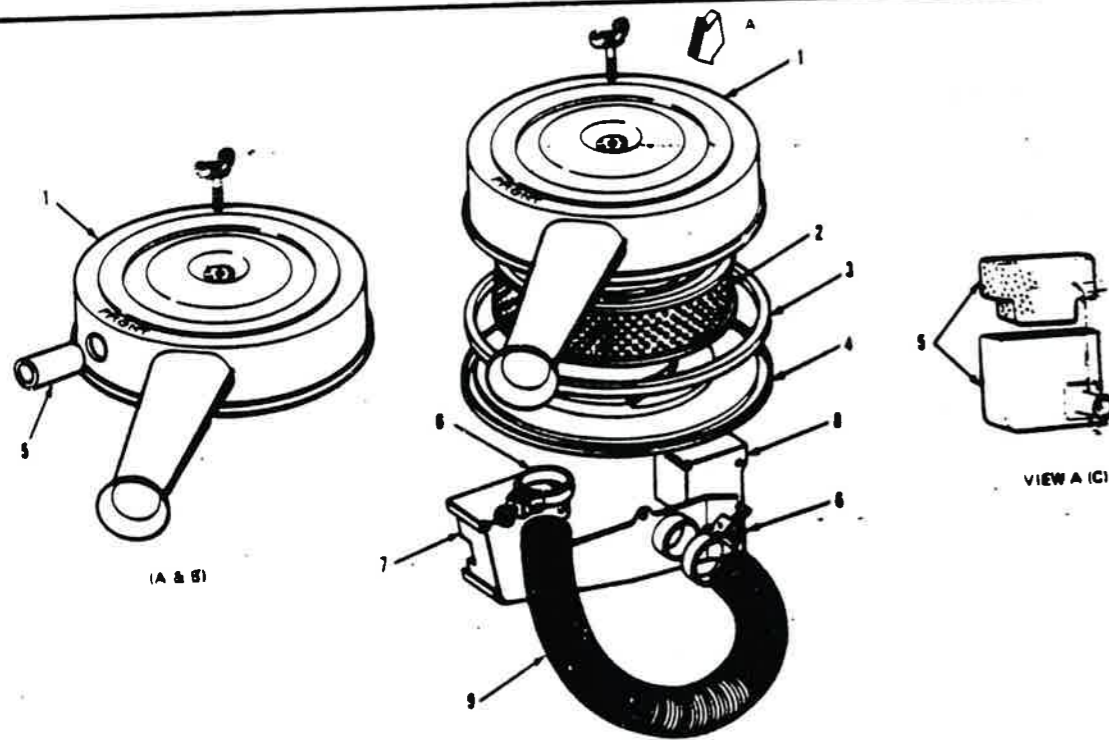
Item	Part Number	Description	Quantity Per Vehicle	
			LHD	RHD
Figure 2-3				
CARBURETOR				
	5900407	Carburetor Assy (A & B)		
	5902041	Carburetor Assy. (C)		
1	N/S	Horn, Air	1	1
2	N/S	Screw, Air Horn	3	3
3	N/S	Screw, Air Horn	1	1
4	3207745	Screw, Choke and Throttle Valve	4	4
5	5950824	Bracket, Air Cleaner (A & B)	1	1
	5997003	Bracket, Air Cleaner (C)	1	1
6	N/S	Screw, Air Cleaner Bracket	2	2
7	3206425	Valve, Choke	1	1
8	3207738	Screw, Air Horn	2	2
9	N/S	Screw, Choke Lever	1	1
10	N/S	Lever, Choke	1	1
11	5997030	Shaft and Lever Assembly (w/Screws)	1	1
12	3206442	Plate Assembly, Coil Housing	1	1
13	4485888	Gasket, Coil Housing	1	1
14	4488063	Coil and Cover Assy, Choke (A & B)	1	1
	5997002	Thermostat Housing, Coil & Gasket Assy. (C)	1	1
15	3203818	Retainer, Coil Housing	3	3
16	3206431	Screw, Coil Housing (A & B)	3	3
	3206421	Screw, Coil Housing (C)	3	3
17	N/S	Pin, Choke Piston	1	1
18	N/S	Piston, Choke	1	1
19	3202820	Retainer, Upper Pump Spring	1	1
20	3203814	Plug, Welsh	1	1
21	5997080	Spring, Upper, Pump	1	1
22	3206434	Arm Assembly, Metering Rod	1	1
23	5997083	Rod, Metering	1	1
24	8122894	Link, Pump Lifter	1	1
25	5997082	Retainer, Pump Diaphragm Spring	1	1
26	5997081	Spring, Pump Diaphragm	1	1
27	3206433	Screw, Diaphragm Housing	4	4
28	N/S	Housing, Pump Diaphragm	1	1
29	N/S	Pump, Diaphragm Assembly	1	1
30	N/S	Cam, Fast Idle	1	1
31	8121252	Screw, Fast Idle Cam	1	1
32	3205125	Spring, Curb Idle Screw	1	1
33	N/S	Screw, Adjusting, Curb Idle	1	1
34	N/S	Rod, Choke Connecting	1	1
35	N/S	Retainer	1	1
36	N/S	Throttle Shaft and Lever Assembly	1	1
37	8121253	Screw, Fast Idle	1	1
38	8121248	Spring, Fast Idle Screw	1	1
39	4488054	Cap, Idle Mixture Screw Limiter	1	1
40	4488036	Screw, Idle Mixture	1	1
41	N/S	Screw, Throttle Body	3	3
42	N/S	Throttle Body	1	1
43	N/S	Arm, Throttle Shaft	1	1
44	3203844	Spring, Idle Mixture Screw	1	1
45	8125681	Valve, Throttle	1	1
46	N/S	Link, Pump Connector	1	1

AM General Corporation



5072

Figure 2-4 Fuel Pump



5202

Figure 2-5 Air Cleaner, Heat Shrouds and Duct

AM General Corporation

Item	Part Number	Description	Quantity Per Vehicle	
			LHD	RHD
Figure 2-3				
CARBURETOR (Cont'd.)				
47	N/S	Gasket, Body Flange	1	1
48	N/S	Main Body Assembly	1	1
49	N/S	Plug, Rivet	1	1
50	8120145	Ball	1	1
51	N/S	Weight	1	1
52	4488445	Jet, Metering Rod	1	1
53	N/S	Jet, Low Speed	1	1
54	8123050	Float Assembly	1	1
55	8124315	Pin, Float	1	1
56	4488048	Needle and Seat Assembly	1	1
57	N/S	Gasket, Needle Seat	1	1
58	N/S	Gasket, Bowl Cover and Air Horn	1	1
59	3218867	Gasket, Insulator to Manifold	1	1
60	3218854	Insulator, Carburetor to Manifold (A & B)	1	1
	3225449	Insulator, Carburetor to Manifold (C)	1	1
81	3173228	Gasket, Flange (A & B)	1	1
	3218867	Gasket, Flange (C)	1	1
82	8120480	Idle Solenoid Assy. (C)	1	1
83	8124312	Bracket, Solenoid Bracket (C)	1	1
84	N/S	Nut, Solenoid Bracket (C)	1	1
85	N/S	Nut, Solenoid Lock (C)	1	1
	4488048	Kit, Carburetor Gasket (A & B)	1	1
	8122898	Kit, Carburetor Gasket (C)	1	1
	8124351	Zip Kit, Repair, Incl. Gaskets	1	1
Figure 2-4				
FUEL PUMP AND FILTER				
1	3216577	Fuel Pump Assy. (A & B)	1	1
	3225283	Fuel Pump Assy. (C)	1	1
2	3174685	Gasket	1	1
3	N/S	Bolt	2	2
	8992638	Kit, Fuel Filter	1	1
Consists of:				
		1 Filter		
		2 Hoses		
		4 Clamps		
Figure 2-5				
AIR CLEANER, HEAT SHROUDS AND DUCT				
	3218871	Air Cleaner Assy (A & B)	1	1
	3224388	Air Cleaner and Silencer Assy (C)	1	1
1	N/S	Shroud	1	1
2	8991386	Filter Element	1	1
3	N/S	Gasket	1	1
4	N/S	Base	1	1
5	8991386	Filter Element, PVC (A & B)	1	1
	3224380	Housing Assy. C/CS Vent Filter (C)	1	1
6	N/S	Clamp	2	2
7	3218421	Shroud, Exhaust Manifold Heat (9.58") (A & B)	1	1
	3224173	Shroud, Exhaust Manifold Heat (C)	1	1

AM General Corporation

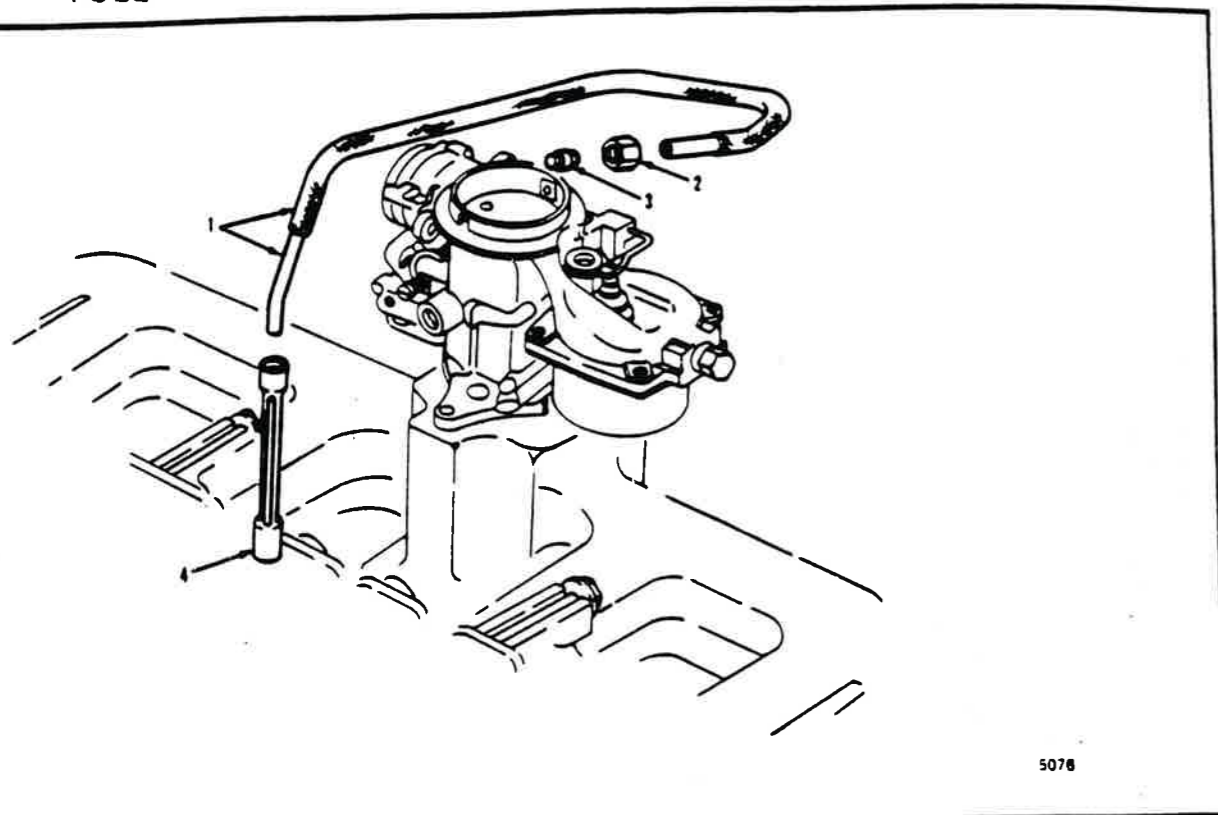


Figure 2-6 Choke Heater Tube

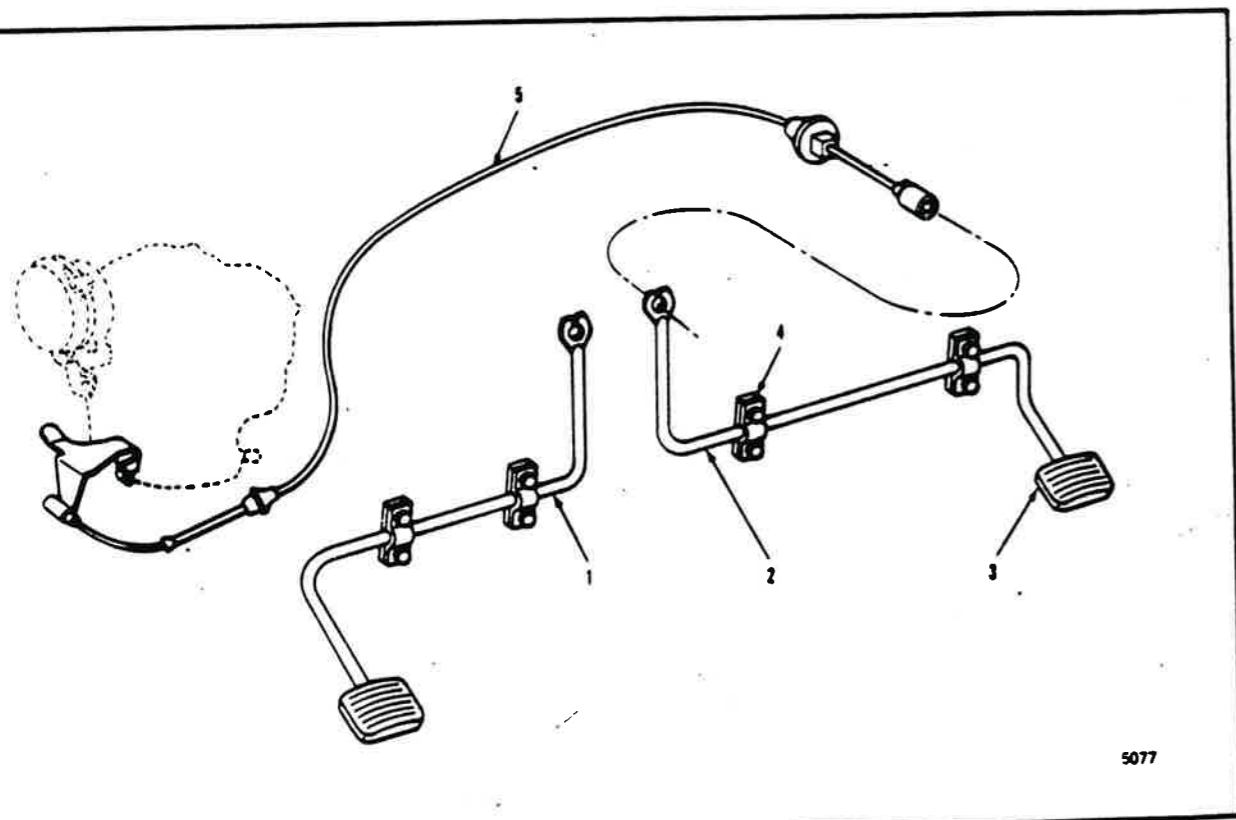


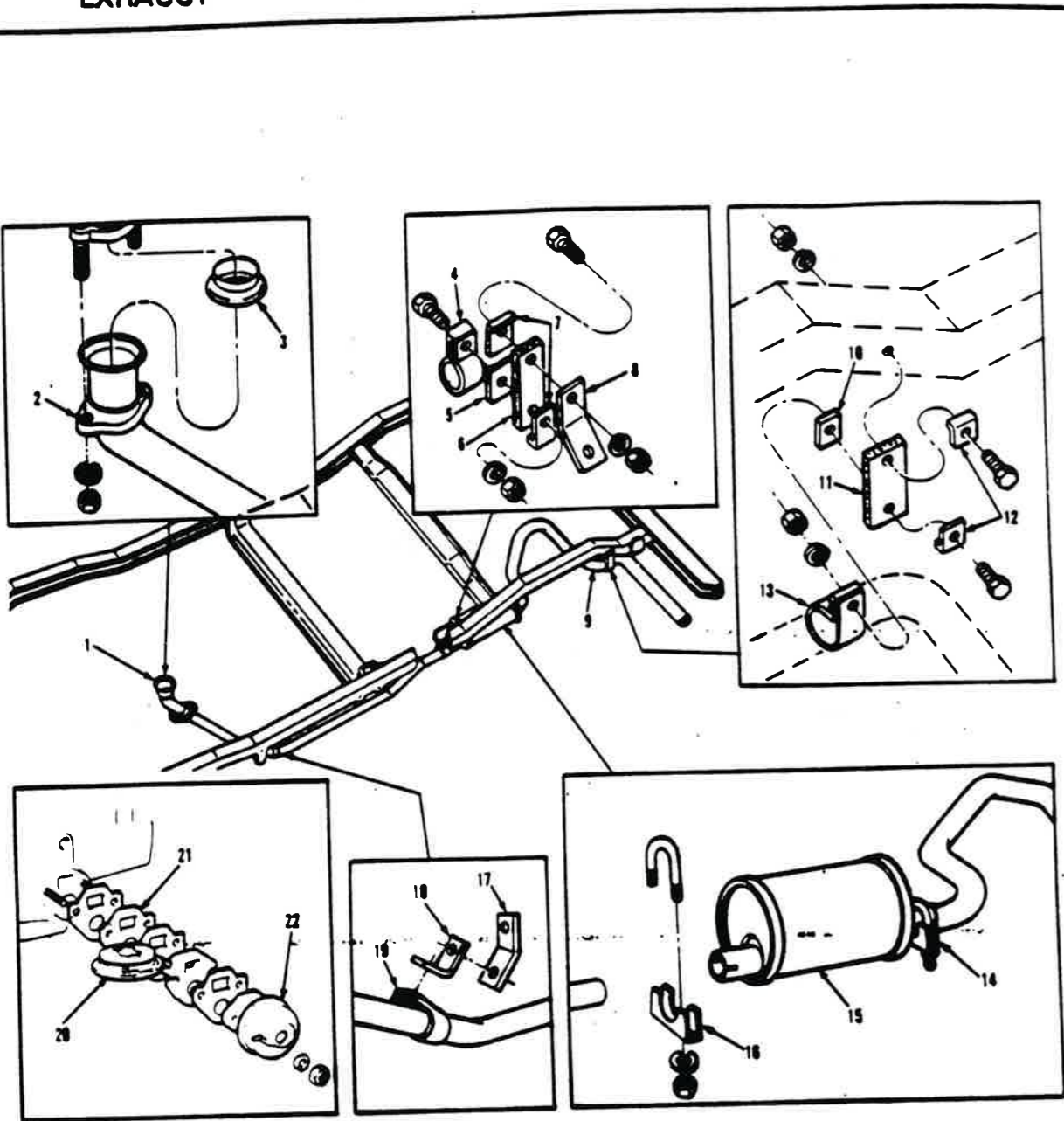
Figure 2-7 Accelerator Control

AM General Corporation

Item	Part Number	Description	Quantity Per Vehicle	
			LHD	RHD
Figure 2-5 AIR CLEANER, HEAT SHROUDS AND DUCT (Cont'd.)				
8	3224171	Shroud, Exhaust Manifold Heat (3.38")	1	1
9	3216423	Duct, Hot Air	1	1
10	N/S	Wing Screw	1	1
Figure 2-6 CHOKE HEATER TUBE				
1	3219097 3222619	Tube and Loom Assy, Choke Heater to Carburetor (A & B) ... Tube and Loom Assy, Choke Heater to Carburetor (C)	1	1
2	N/S	Nut, Tube, Choke Heater to Carb.	1	1
3	N/S	Sleeve, Tube Nut	1	1
4	See Fig. 1-12	Tube, Choke Heater (In Exh. Man.)	1	1
Figure 2-7 ACCELERATOR CONTROL				
1	5900780	Accelerator Rod Assy (LHD)	1	
2	5900575	Accelerator Rod Assy (RHD)		1
3	990347	Pad, Accelerator Rod Foot	1	1
4	996976	Clip, Accelerator Rod Mounting	2	2
5	5900410	Cable Assy, Accelerator	1	1
	992909	Switch, Trans. Kickdown	1	1
	3211042	Bracket, Kickdown Switch	1	1
	3196286	Spring, Accelerator Return	1	1

AM General Corporation

EXHAUST



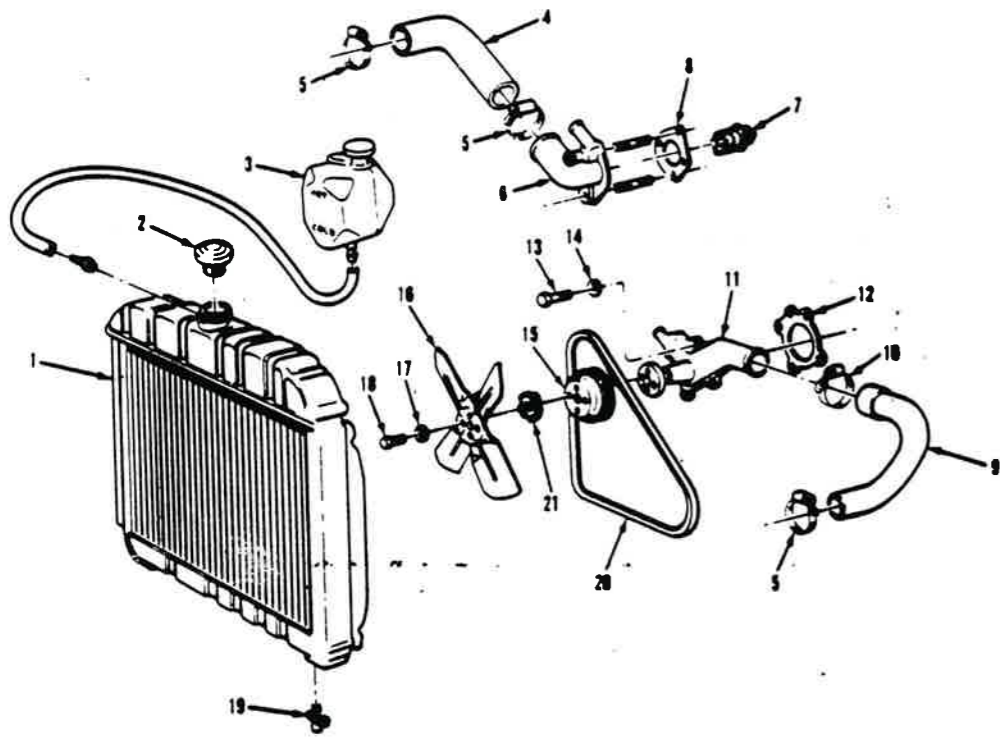
5078

Figure 3-1 Exhaust System

AM General Corporation

Item	Part Number	Description	Quantity Per Vehicle	
			LHD	RHD
Figure 3-1 EXHAUST SYSTEM				
1	996740	Pipe, Exhaust.....	1	1
2	3175841	Flange, Exhaust Pipe to Manifold	1	1
3	3216643	Seal, Manifold to Exh. Pipe Flange	1	1
4	990955	Clamp, Exhaust Pipe Support.....	1	1
5	947800	Spacer, Insulator to Clamp.....	1	1
6	997753	Insulator, Exhaust Pipe Support	1	1
7	944751	Reinforcement, Insulator.....	2	2
8	990803	Bracket, Exhaust Pipe	1	1
9	990265	Tailpipe.....	1	1
10	947800	Spacer, Insulator to clamp	1	1
11	933913	Insulator.....	1	1
12	990969	Reinforcement, Insulator.....	2	2
13	990944	Clamp, Tailpipe Support	1	1
14	996668	Clamp, Tailpipe to Muffler.....	1	1
15	990457	Muffler	1	1
16	990993	Clamp, Exhaust Pipe to Muffler	1	1
17	5900336	Bracket, Exh. Pipe Supt., Upper.....	1	1
18	5900172	Bracket, Exh. Pipe Supt., Lower.....	1	1
19	997982	Clamp, Exhaust Pipe Support.....	1	1
20	3223999	Sensor, EGR Back Pressure (C)	1	1
21	3225144	Plate, EGR Restrictor (C)	1	1
22	3225951	Valve, Exhaust Gas Recirculating (EGR) (C)	1	1
	3225912	Switch, Vacuum Ported (2-Tube) (C)	1	1

AM General Corporation



5079

Figure 4-1 Cooling System Components

AM General Corporation

Item	Part Number	Description	Quantity Per Vehicle	
			LHD	RHD
Figure 4-1 COOLING SYSTEM COMPONENTS				
1	5900590	Radiator Assy. w/oil Cooler	1	1
2	5900584	Radiator Cap Assy	1	1
3	5900582	Reservoir Assy. Coolant Recovery	1	1
	5900581	Cap. Reservoir	1	1
	5900415	Bracket. Reservoir	1	1
4	997688	Hose. Upper (A & B)	1	1
	5902604	Hose. Upper (C)	1	1
5	N/S	Clamp. Hose Type "E"	3	3
6	3189718	Housing. Thermostat (A & B)	1	1
	3224216	Housing. Thermostat (C)	1	1
7	4488471	Thermostat Assy (Incl. Gasket) (A & B)	1	1
	5950996	Thermostat Assy. (Incl. Gasket) (C)	1	1
8	3189874	Gasket. Thermostat	1	1
9	997690	Hose Assy. Lower (A & B)	1	1
	5965151	Hose Assy. Lower (C)	1	1
10	N/S	Clamp. Hose Type "C"	1	1
11	8120131	Pump. Water (Incl. Gasket) (A & B)	1	1
	8125501	Pump. Water (Incl. Gasket) (C)	1	1
12	3173204	Gasket. Water Pump	1	1
13	N/S	Bolt	3	3
14	N/S	Lockwasher	3	3
15	3176815	Pulley. Fan and Water Pump (A & B)	1	1
	3224909	Pulley. Fan and Water Pump (C)	1	1
16	3174446	Fan Blade Assy.	1	1
17	N/S	Lockwasher	4	4
18	N/S	Bolt	4	4
19	A-1126	Drain Cock. Radiator	1	1
20	3196268	Belt. Fan and Alternator Drive (A & B)	1	1
	3223006	Belt. Fan and Alternator Drive (C)	1	1
21	996818	Spacer. Fan	1	1

AM General Corporation

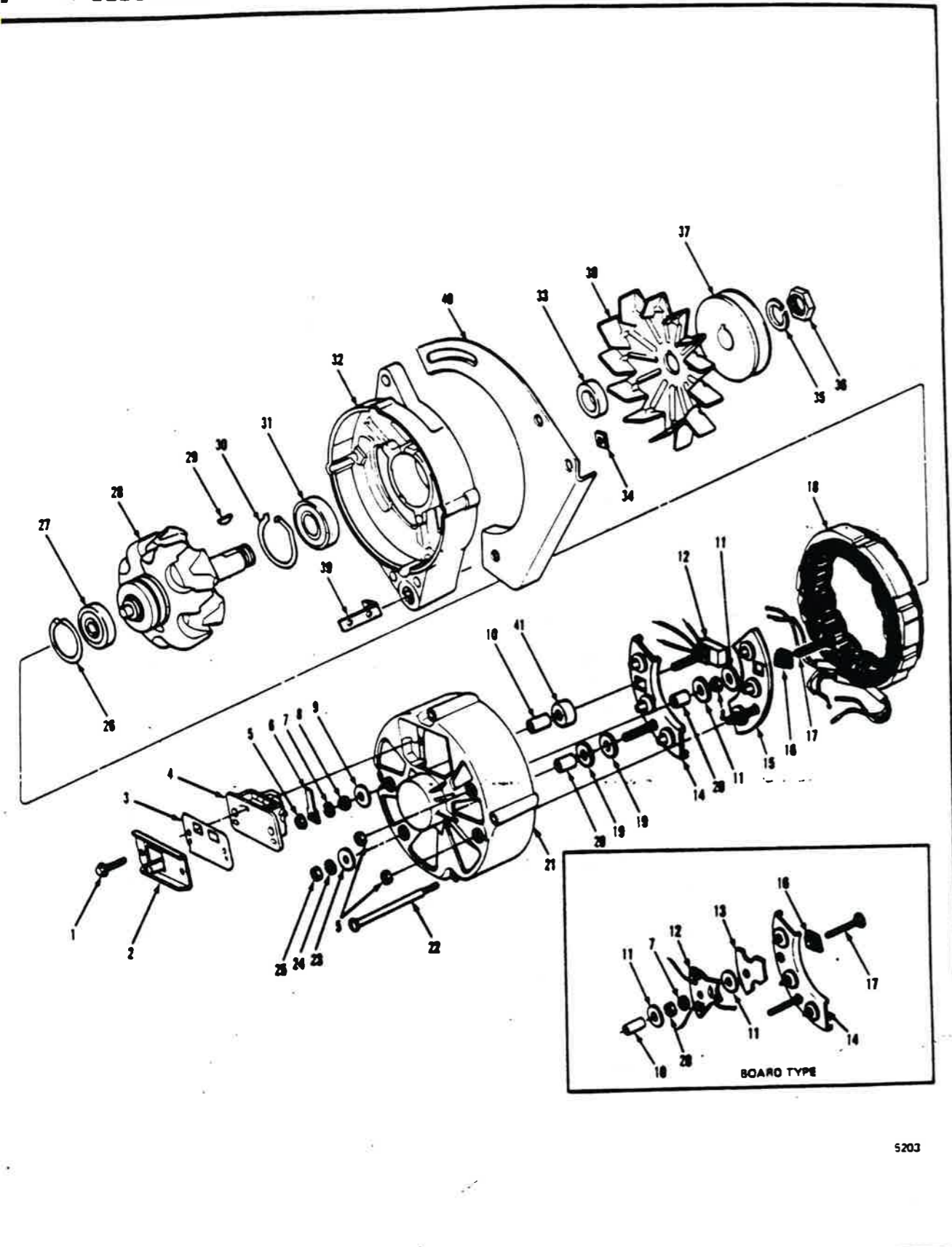


Figure 5-1 Alternator (A & B)

AM General Corporation

Item	Part Number	Description	Quantity Per Vehicle	
			LHD	RHD
		Figure 5-1 ALTERNATOR (A & B)		
	5950823	Alternator (Less Fan & Pulley)	1	1
1	N/S	Screws	2	2
2	4488549	Plate, Ground	1	1
3	3207918	Shield	1	1
4	3204152	Brush	1	1
5	N/S	Nut	6	6
6	4488550	Terminal, Spade	1	1
7	N/S	Washer	2	2
8	N/S	Nut	2	2
9	3204158	Washer	3	3
10	4489448	Insulator	2	2
11	N/S	Washer	2	2
12	8125026	Trio Assy, Diode Potted Type	1	1
	4489408	Trio Assy, Diode Board Type	1	1
13	4489454	Insulator	1	1
14	4489404	Diode (Negative)	1	1
15	4489405	Diode (Positive)	1	1
16	4489452	Insulator	1	1
17	4489453	Screw	1	1
18	8121301	Stator	1	1
19	4489450	Washer	2	2
20	4489449	Insulator	1	1
21	4489403	Housing	1	1
22	3205053	Bolt, Thru	4	4
23	4489451	Washer	1	1
24	N/S	Washer	1	1
25	N/S	Nut & Lockwasher Assy (1/4"-20), Alt. Term.	1	1
26	3204150	Retainer	1	1
27	3204148	Bearing	1	1
28	3204145	Rotor	1	1
29	N/S	Key	1	1
30	3204144	Washer	1	1
31	3139988	Bearing	1	1
32	3204142	Housing	1	1
33	3204141	Spacer	1	1
34	N/S	Nut	4	4
35	N/S	Washer	1	1
36	3204160	Nut	1	1
37	4486752	Pulley (2-5/8")	1	1
38	3204140	Fan	1	1
39	3917214	Bracket, Alt. Mtg., Rear	1	1
40	3217213	Bracket, Alt. Mtg., Front	1	1
41	N/S	Washer	1	1

AM General Corporation

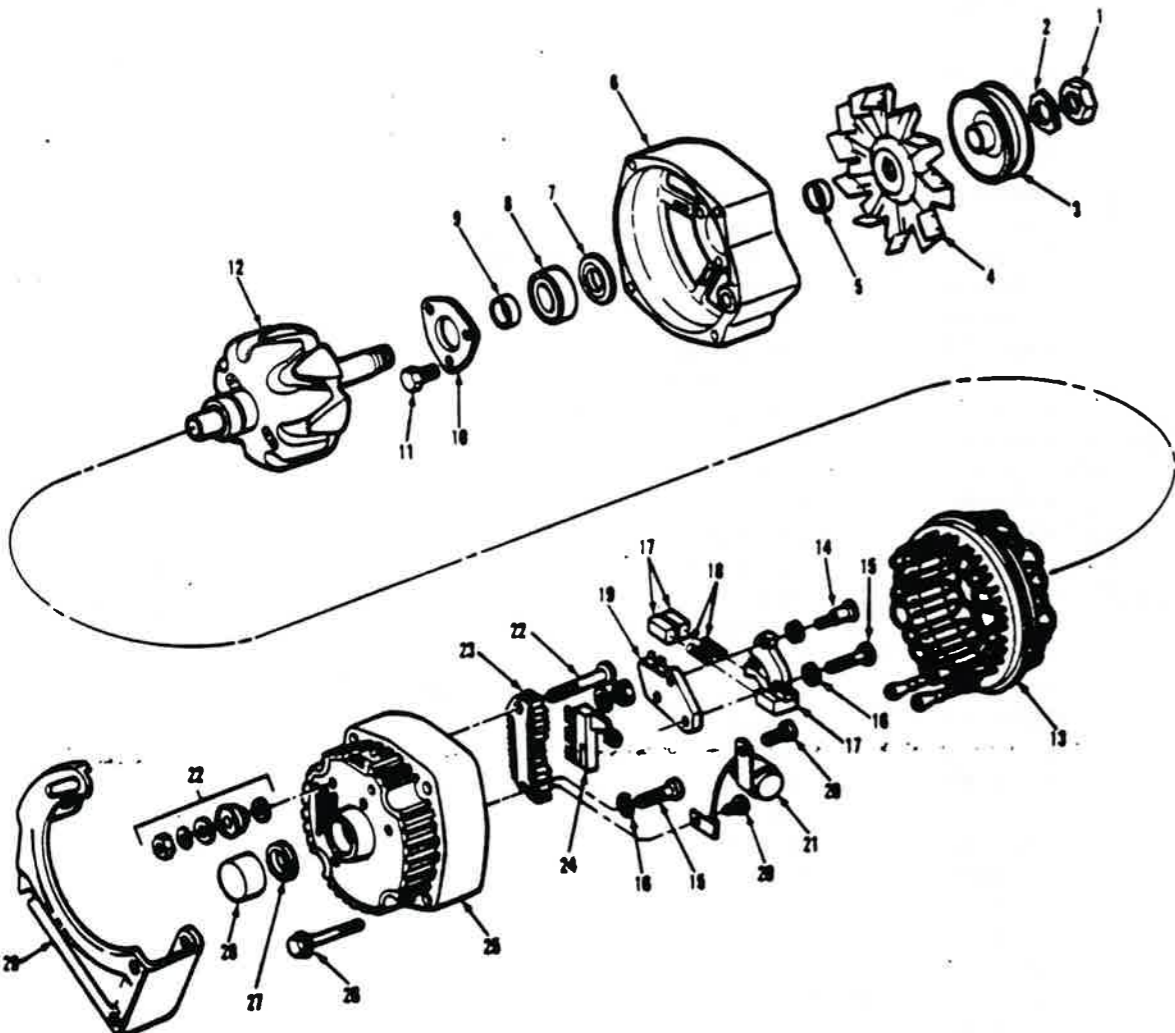
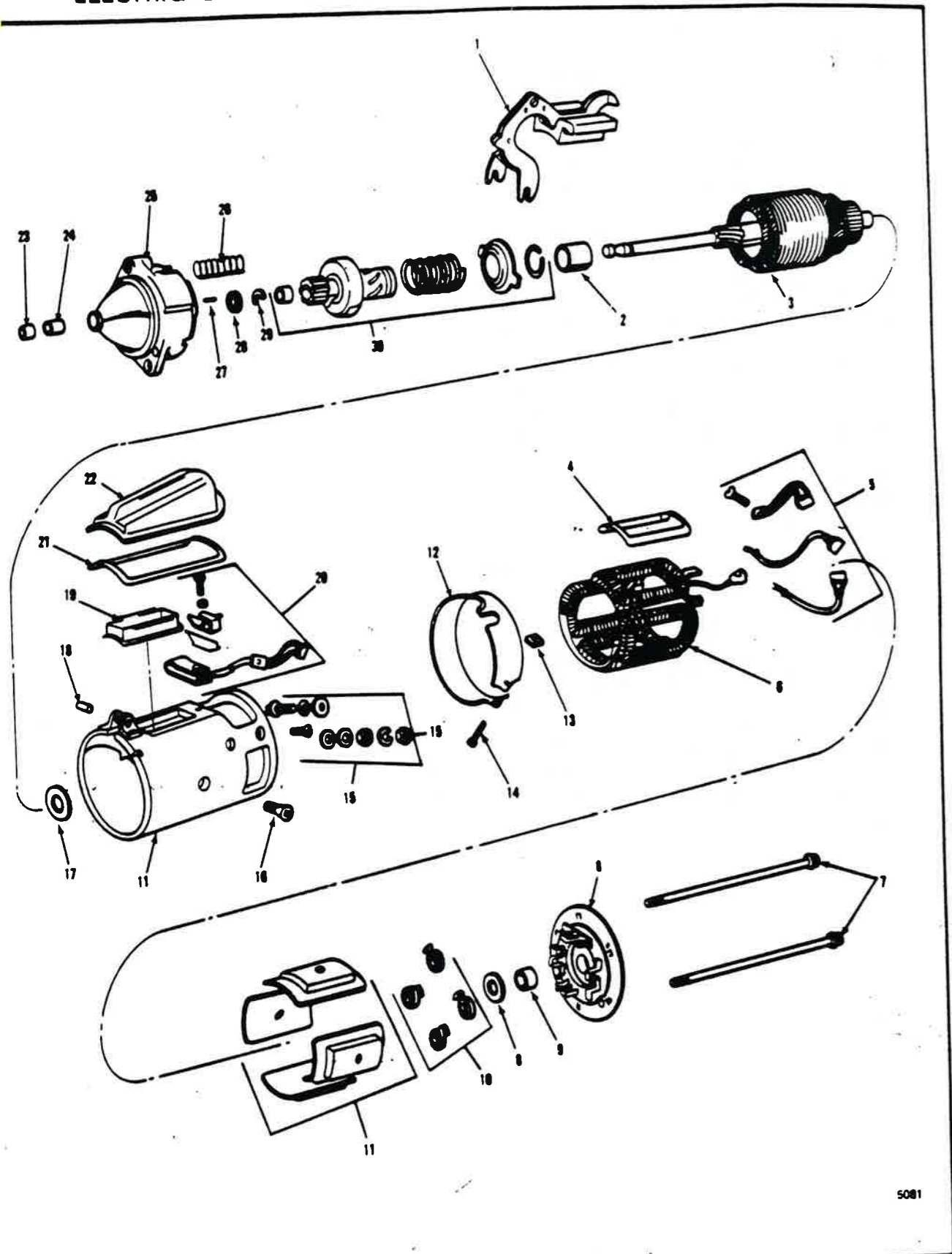


Figure 5-2 Alternator (C)

AM General Corporation

Item	Part Number	Description	Quantity Per Vehicle	
			LHD	RHD
Figure 5-2 ALTERNATOR (C)				
1	8125242	Nut	1	1
2	N/S	Washer	1	1
3	8125192	Pulley	1	1
4	8125193	Fan	1	1
	5950997	Alternator, (Less Fan & Pulley)	1	1
5	8125189	Collar	1	1
6	8125175	Housing	1	1
7	8125190	Grease Slinger	1	1
8	8125182	Bearing	1	1
9	8125188	Collar	1	1
10	8125187	Retainer	1	1
11	N/S	Screw	3	3
12	8125195	Rotor	1	1
13	8125174	Stator	1	1
14	N/S	Screw	2	2
15	N/S	Screw	2	2
16	N/S	Washer	2	2
17	8125179	Brush Holder Assy.	1	1
18	8125180	Spring	2	2
19	8125176	Regulator	1	1
20	N/S	Screw	2	2
21	8125183	Capacitor	1	1
22	8125185	Terminal Package	1	1
23	8125178	Rectifier Bridge	1	1
24	8125177	Diode Trio	1	1
25	8125194	Housing	1	1
26	8125191	Bolt	4	4
27	5950998	Seal, Bearing (Slip Ring End)	1	1
28	8125181	Bearing, Slip Ring End	1	1
29	3224476	Bracket, Alternator Mtg.	1	1

AM General Corporation



5081

Figure 5-3 Starting Motor

AM General Corporation

Item	Part Number	Description	Quantity Per Vehicle	
			LHD	RHD
Figure 5-3 STARTING MOTOR				
		Starting Motor Assy.....	1	1
1	3212235	Yoke.....	1	1
2	3207425	Spacer.....	1	1
3	8120028	Armature.....	1	1
4	3207427	Flange.....	1	1
5	3207524	Brush Kit.....	1	1
6	8120997	Coil Set.....	1	1
7	3207431	Bolt.....	2	2
8	3207423	End. Commutator.....	1	1
9	3207430	Bushing.....	1	1
10	3207424	Spring.....	4	4
11	N/S	Frame.....	1	1
12	3207434	Band.....	1	1
13	N/S	Nut.....	1	1
14	N/S	Screw.....	1	1
15	3207522	Terminal Kit.....	1	1
16	3207429	Screw.....	3	3
17	N/S	Washer.....	1	1
18	3207435	Pin.....	1	1
19	3207428	Sleeve.....	1	1
20	3207523	Point kit.....	1	1
21	3207433	Gasket.....	1	1
22	3207432	Cover.....	1	1
23	N/S	Seal (Cup).....	1	1
24	N/S	Bushing.....	1	1
25	4489353	End. Drive.....	1	1
26	3207426	Spring.....	1	1
27	3207436	Screw.....	1	1
28	3207419	Retainer.....	1	1
29	3207418	Ring.....	1	1
30	8120193	Drive Assy.....	1	1
NI	3180465	Switch, Starter Solenoid (A & B).....	1	1
NI	3225629	Solenoid, Starter Relay (C).....	1	1

AM General Corporation

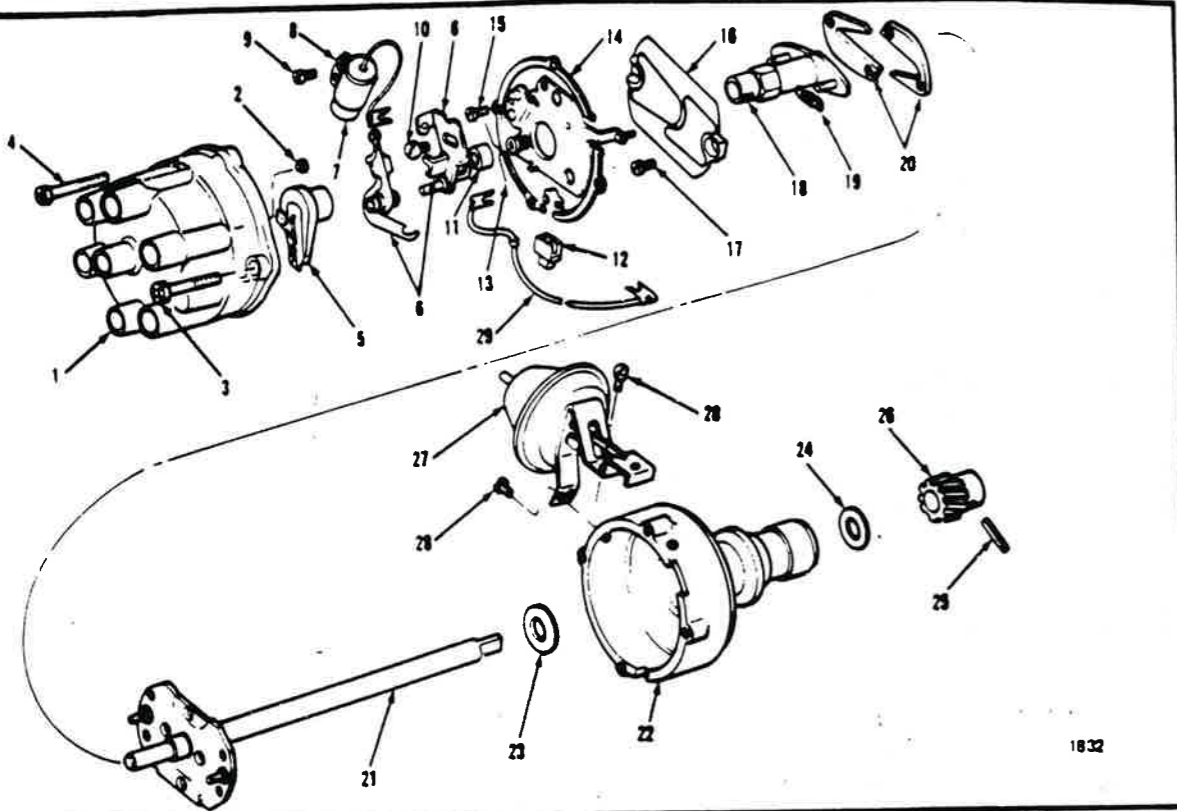


Figure 5-4 Distributor (A & B)

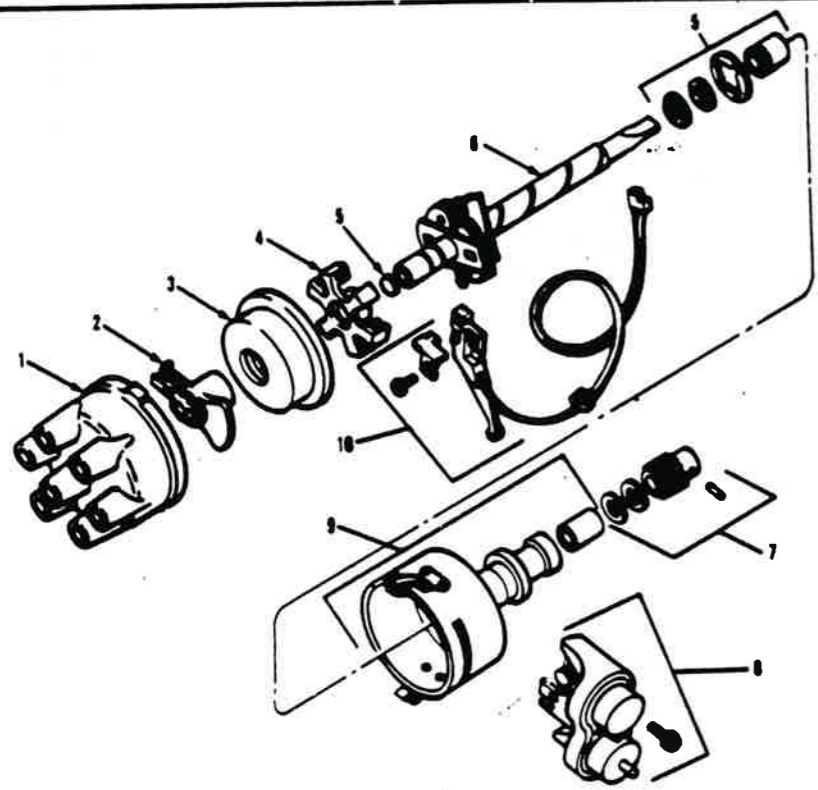
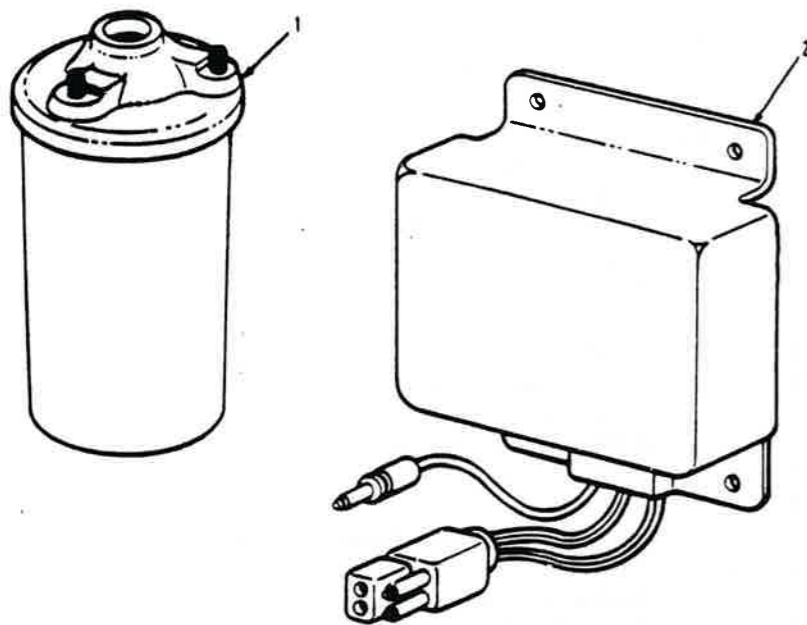


Figure 5-5 Distributor (C)

AM General Corporation

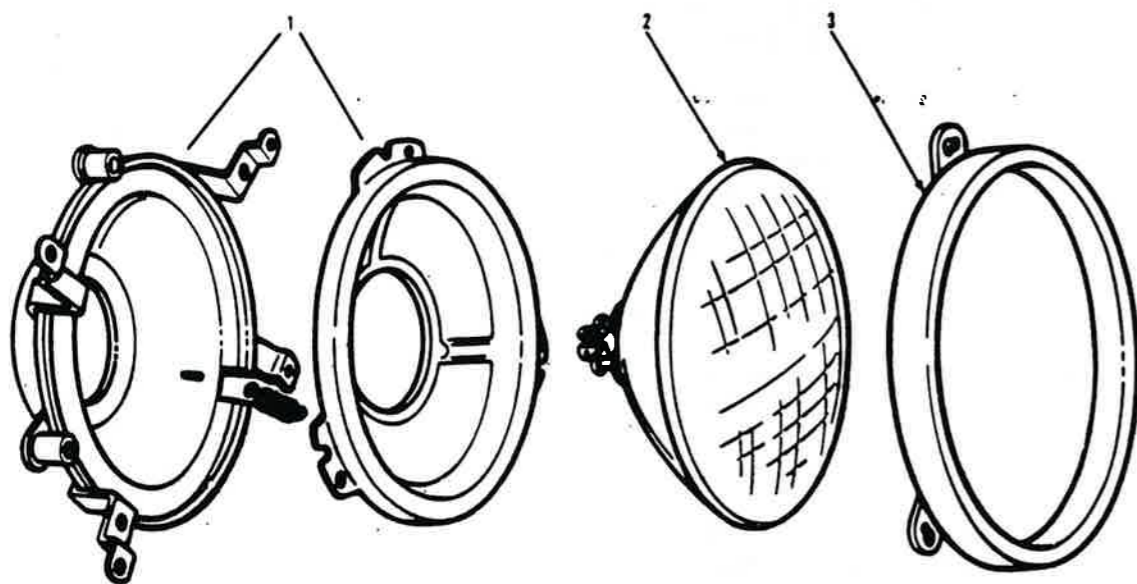
Item	Part Number	Description	Quantity Per Vehicle	
			LHD	RHD
Figure 5-4 DISTRIBUTOR (A & B)				
		Distributor Assy	1	1
1	3219199	Cap. Distributor	1	1
2	4488091	Carbon Button, Dist. Cap.	1	1
3	N/S	Screw, Cap Attach (8-32)	1	1
4	N/S	Screw, Cap Attach (10-32)	1	1
5	4488087	Rotor	1	1
6	3204202	Contact Set	1	1
7	3204584	Condenser	1	1
8	3206652	Bracket, Condenser	1	1
9	N/S	Screw, Condenser Attaching	1	1
10	N/S	Screw, Contact Adjusting	1	1
11	8121648	Wick, Cam Lubricator	1	1
12	3206658	Grommet	1	1
13	3205360	Spring, Breaker Plate Retaining	1	1
14	3204201	Plate and Support, Breaker	1	1
15	N/S	Screw, Breaker Plate Support	2	2
16	3206654	Plate, Weight Hold Down	1	1
17	N/S	Screw & Lockwasher	2	2
18	8120588	Cam, Advance and Breaker	1	1
19	8120589	Spring, Weight	2	2
20	3206644	Weight	2	2
21	8120587	Main Shaft and Weight Plate	1	1
22	5950978	Body, Distributor	1	1
23	3206650	Seal (In Housing)	1	1
24	3207192	Washer	1	1
25	3204213	Pin, Gear	1	1
26	3205387	Gear	1	1
27	8122350	Vacuum Control Assy	1	1
28	3206656	Screw, Vac. Control Assy	2	2
29	3204206	Lead, Primary	1	1
NI	983513	Boot, Distributor	1	1
NI	3207030	Ignition Wire Set	1	1
		Wire, No. 1 & 6 Cylinders	2	2
		Wire, No. 2 & 5 Cylinders	2	2
		Wire, No. 3 & 4 Cylinders	2	2
		Wire, Dist. To Coil	1	1
Figure 5-5 DISTRIBUTOR (C)				
		Distributor Assy	1	1
1	3224969	Cap.	1	1
2	8125447	Rotor	1	1
3	8125441	Shield	1	1
4	8125443	Trigger Wheel	1	1
5	8125440	Bearing & Parts Pkg.	1	1
6	5950994	Shaft and Governor Assy.	1	1
7	5950995	Gear and Parts Pkg.	1	1
8	3208656	Vacuum Control Pkg.	1	1
9	8125438	Housing	1	1
	N/S			

AM General Corporation



5119

Figure 5-6 Coil Electronic Ignition Unit and Voltage Regulator



5000

Figure 5-7 Headlamp

AM General Corporation

Item	Part Number	Description	Quantity Per Vehicle		
			LHD	RHD	
10	8125444 8125608	Figure 5-5 DISTRIBUTOR (C) (Cont'd.)			
		Sensor Assy. (Includes Two Gauges).....	1	1	
		Ignition Wire Set	1	1	
		Consists of:			
		Wire to No. 1 Spark Plug	1	1	
		Wire to No. 8 Spark Plug	1	1	
		Wires to Nos. 2 & 5 Spark Plugs	2	2	
		Wires to Nos. 3 & 4 Spark Plugs	2	2	
		Wire, Dist. to Coil	1	1	
		3216448	Switch, Vacuum Ported (3-Tube)	1	1
1 2 N/1	3208861 8125028 3224964 3219350	Figure 5-6 COIL, ELECTRONIC IGNITION UNIT, AND VOLTAGE REGULATOR			
		Coil, Ignition (A & B)	1	1	
		Coil, Ignition (less Bracket) (C).....	1	1	
		Ignition Unit, Electronic (C).....	1	1	
		Voltage Regulator (A & B).....	1	1	
1 2 3	983907 996778 N/S 908578	Figure 5-7 HEADLAMP			
		Headlamp Assembly	2	2	
		Body and Nest Assy.....	2	2	
		Sealed Beam Unit.....	2	2	
		Ring, Retaining	2	2	

AM General Corporation

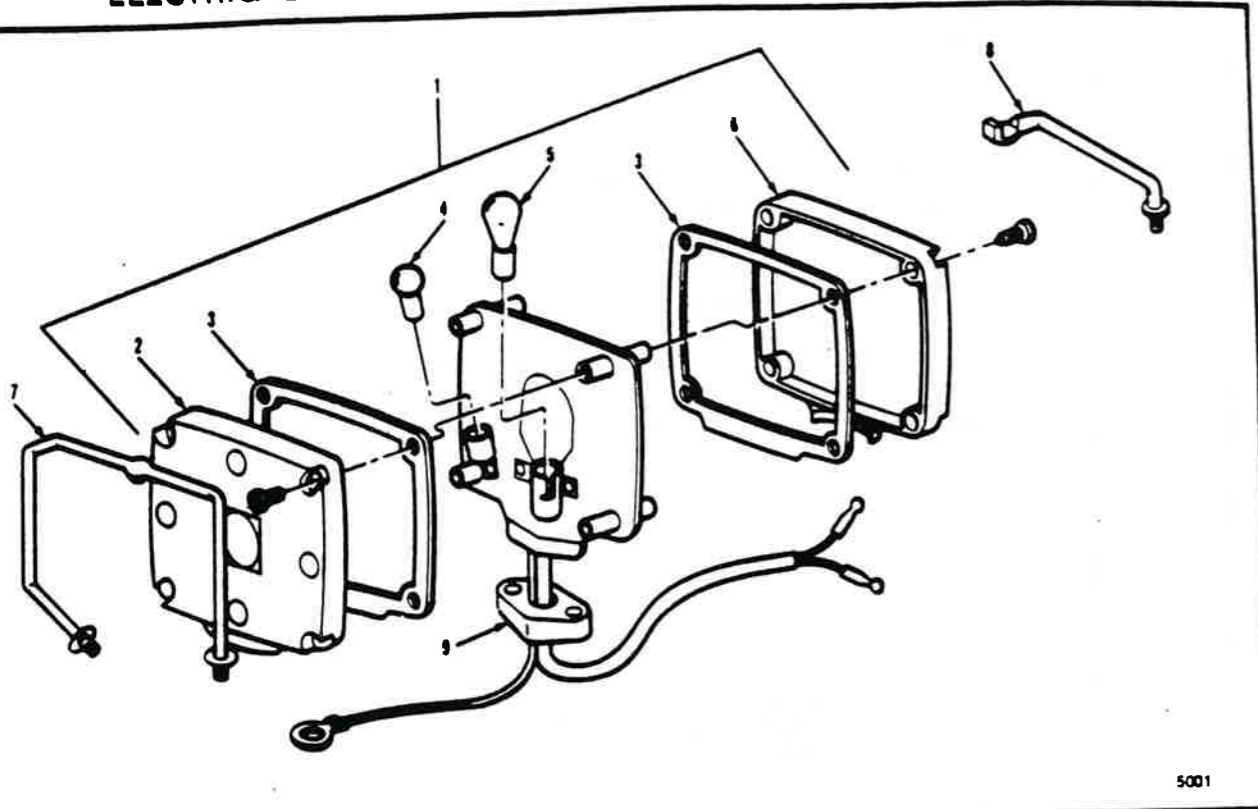


Figure 5-8 Front Signal Lamp

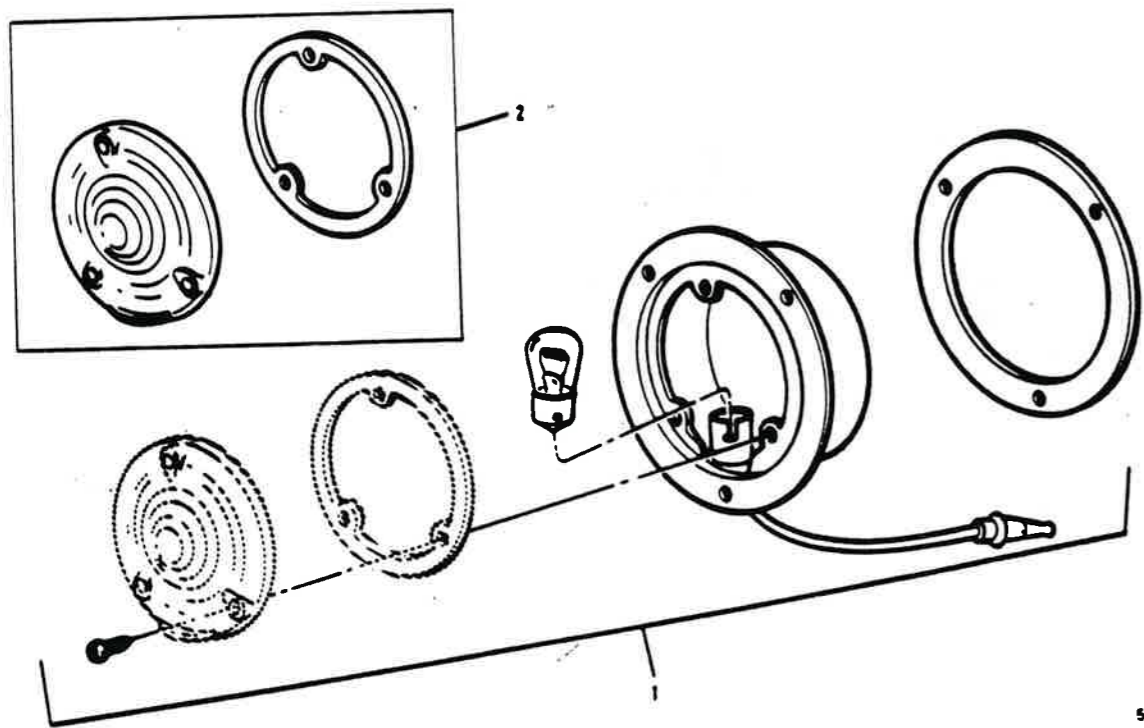
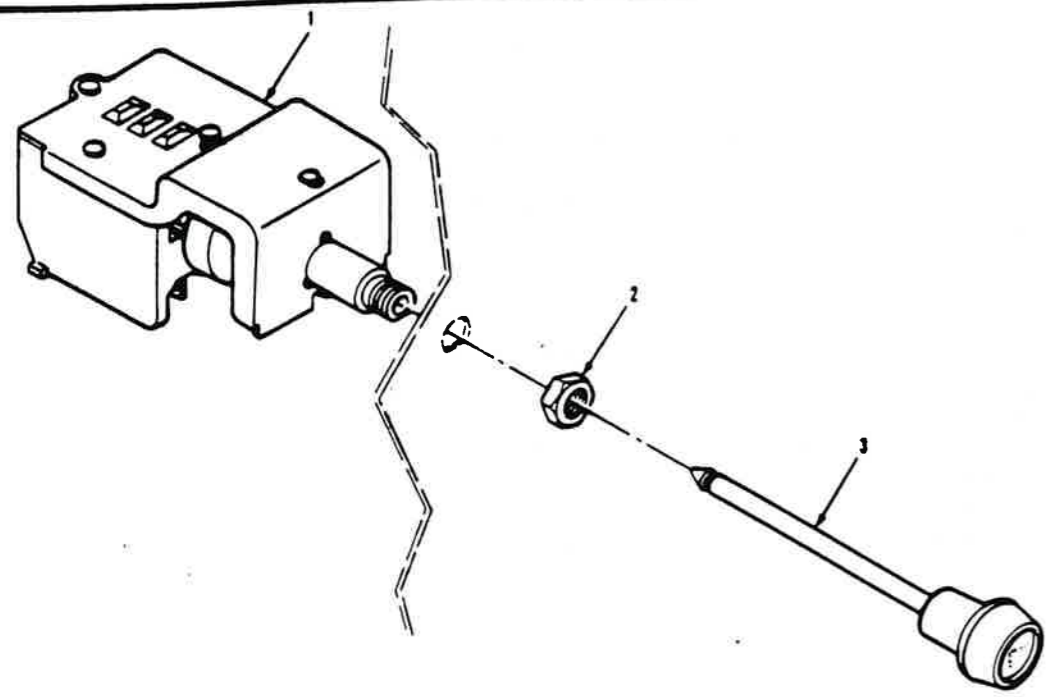


Figure 5-9 Rear Signal Lamp

AM General Corporation

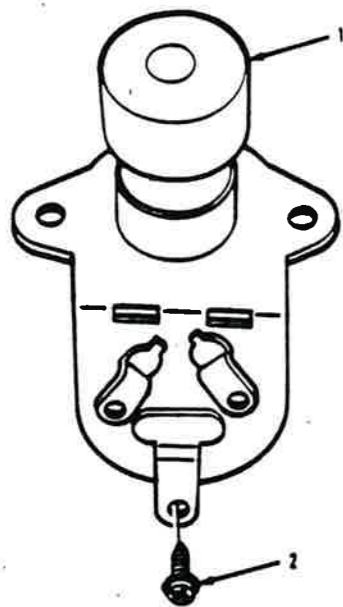
Item	Part Number	Description	Quantity Per Vehicle	
			LHD	RHD
Figure 5-8 FRONT SIGNAL LAMP (Right Hand Shown)				
1	5900412	Front Signal Lamp Assembly, Right Hand	1	1
	5900413	Front Signal Lamp Assembly, Left Hand	1	1
2	5900586	Lens, Amber (Front)	2	2
3	997827	Gasket, Lens.	4	4
4	N/S	Bulb (Trade No. 1895)	2	2
5	N/S	Bulb (Trade No. 1156)	2	2
6	5900587	Lens, Amber (Rear)	2	2
7	982608	Support, Mounting (Right Side)	1	1
	982609	Support, Mounting (Left Side)	1	1
8	982563	Brace, Signal lamp	2	2
9	5950150	Spacer, Mounting (Right Side)	1	1
	5950149	Spacer, Mounting (Left Side)	1	1
Figure 5-9 REAR SIGNAL LAMP				
1	5900578	Rear Turn Signal Lamp Assy	2	2
2	5900579	Lens Package, Signal Lamp	2	2

AM General Corporation



5003

Figure 5-10 Main Light Switch



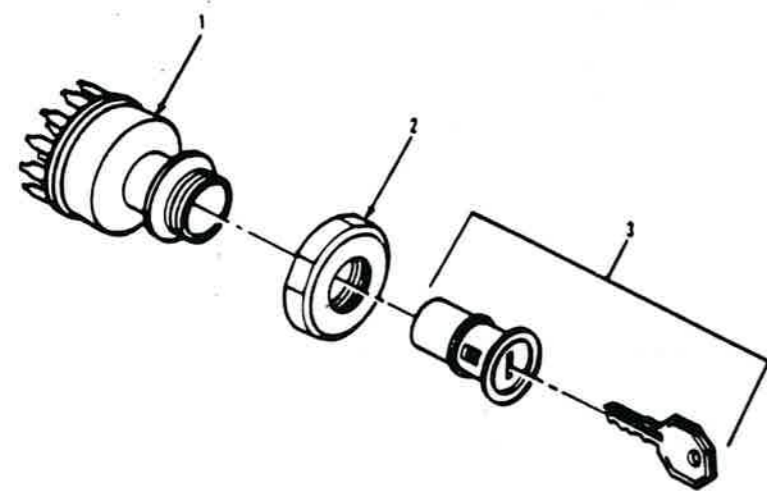
5004

Figure 5-11 Headlamp Dimmer Switch

AM General Corporation

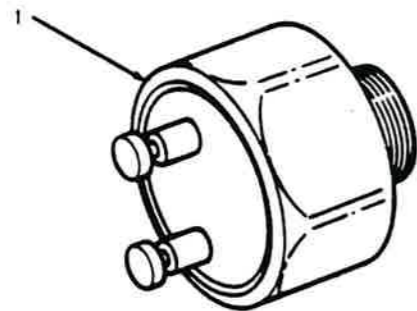
Item	Part Number	Description	Quantity Per Vehicle	
			LHD	RHD
Figure 5-10 MAIN LIGHT SWITCH				
1	990530	Light Switch and Circuit Breaker	1	1
2	N/S	Nut, Panel	1	1
3	990529	Knob and Control Rod	1	1
Figure 5-11 HEADLAMP DIMMER SWITCH				
1	811681	Switch, Headlamp Dimmer	1	1
2	N/S	Screw and Lockwasher	3	3

AM General Corporation



5006

Figure 5-12 Ignition/Starter Switch



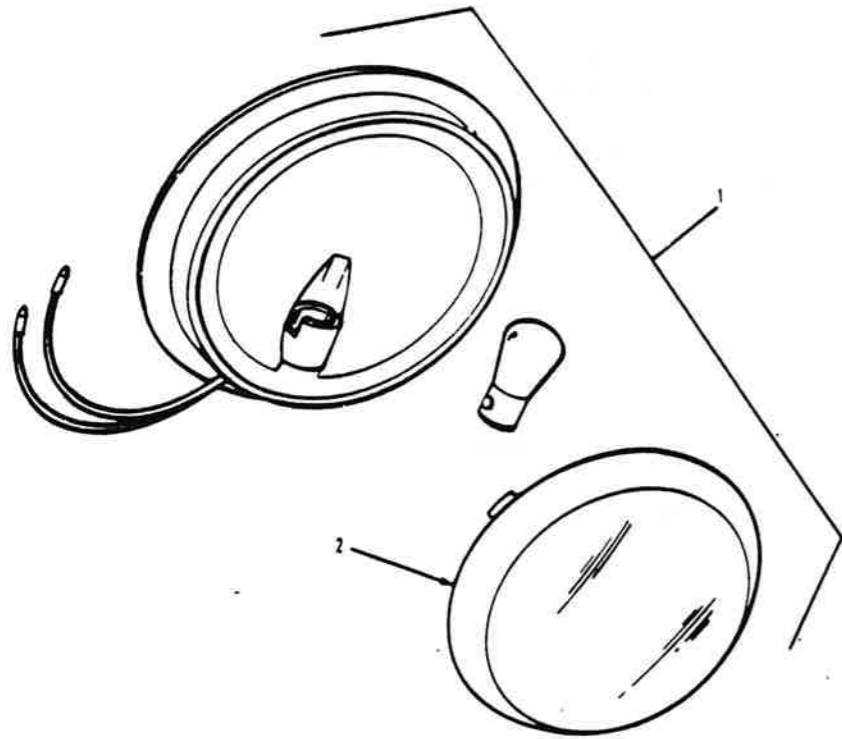
5006

Figure 5-13 Stoplight Switch

AM General Corporation

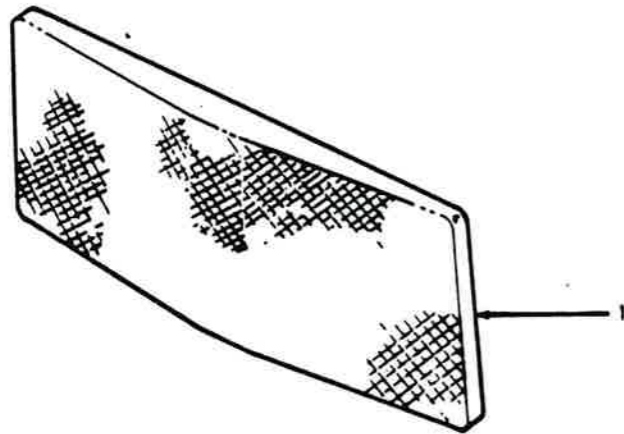
Item	Part Number	Description	Quantity Per Vehicle	
			LHD	RHD
Figure 5-12 IGNITION/STARTER SWITCH				
1	5902291	Switch, Starting and Ignition	1	1
2	5902289	Nut, Mounting	1	1
3	5950985	Kit, Lock Cylinder & Key	1	1
Figure 5-13 STOPLIGHT SWITCH				
1	931216	Switch, Stoplight	2	2

AM General Corporation



5007

Figure 5-14 Dome Light



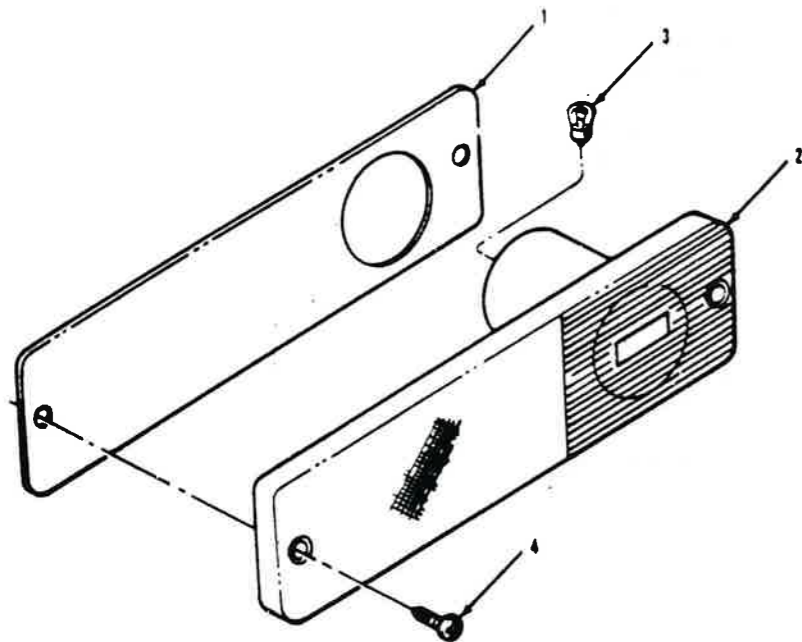
5008

Figure 5-15 Front Marker/Reflector

AM General Corporation

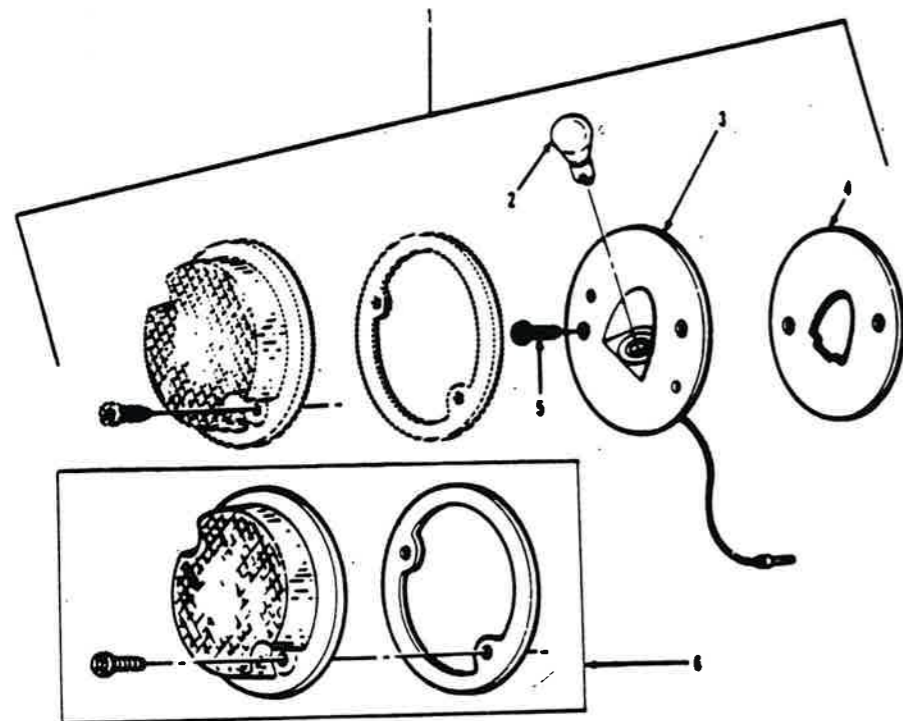
Item	Part Number	Description	Quantity Per Vehicle	
			LHD	RHD
Figure 5-14 DOME LIGHT				
1	982562	Dome Lamp Assy	1	1
2	983688	Lens, Clear	1	1
Figure 5-15 FRONT MARKER/REFLECTOR				
1	5950163	Marker/ Reflector Assy (Amber)	2	2

AM General Corporation



5010

Figure 5-16 Rear-Side Marker Lamp



5011

Figure 5-17 Back-Up Lamp

AM General Corporation

Item	Part Number	Description	Quantity Per Vehicle	
			LHD	RHD
Figure 5-16 REAR-SIDE MARKER LAMP				
1	980849	Gasket	2	2
2	994021	Lamp Assy. Marker/Reflector.....	2	2
3	N/S	Bulb.....	2	2
4	N/S	Screw.....	4	4
Figure 5-17 BACK-UP LAMP				
1	5950360	Back-Up Lamp Assy.....	2	2
2	N/S	Bulb.....	2	2
3	N/S	Body and Socket Assy.....	2	2
4	5950366	Pad, Mounting.....	2	2
5	N/S	Screw, Body & Socket.....	4	4
6	5950744	Kit, Lens-Back-up Lamp.....	1	1
	N/S	Lens, Clear.....	1	1
	N/S	Gasket, Lens.....	1	1
	N/S	Screw.....	2	2

AM General Corporation

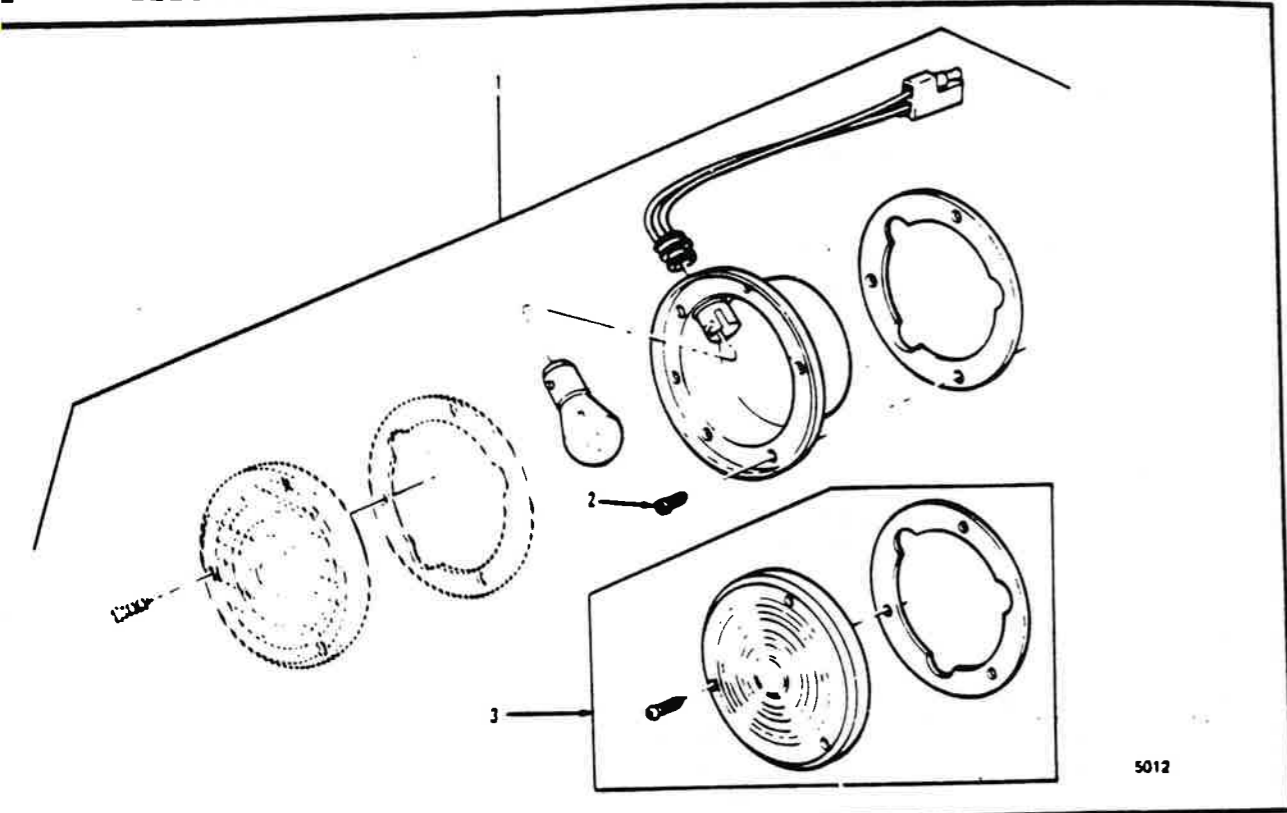


Figure 5-18 Tail, Stop and License Plate Lamps & Reflector

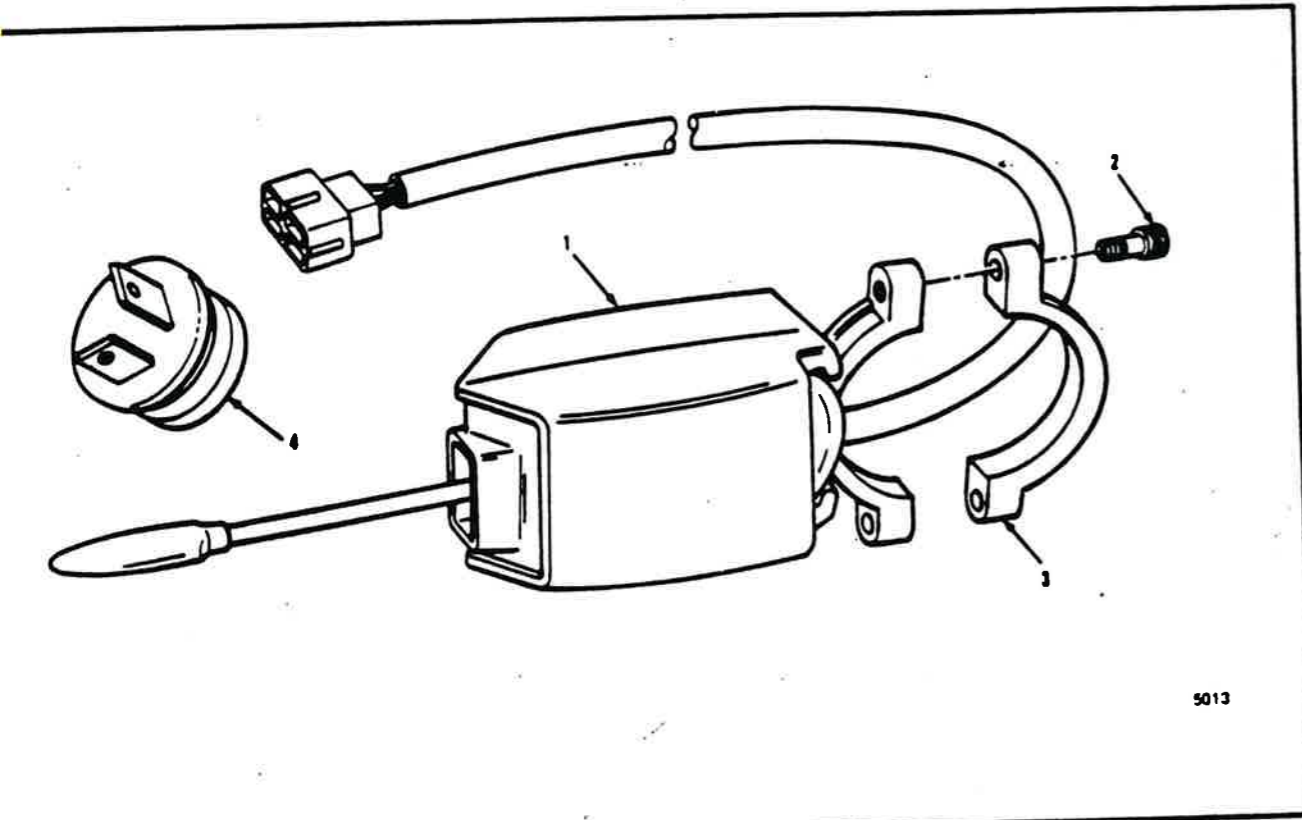
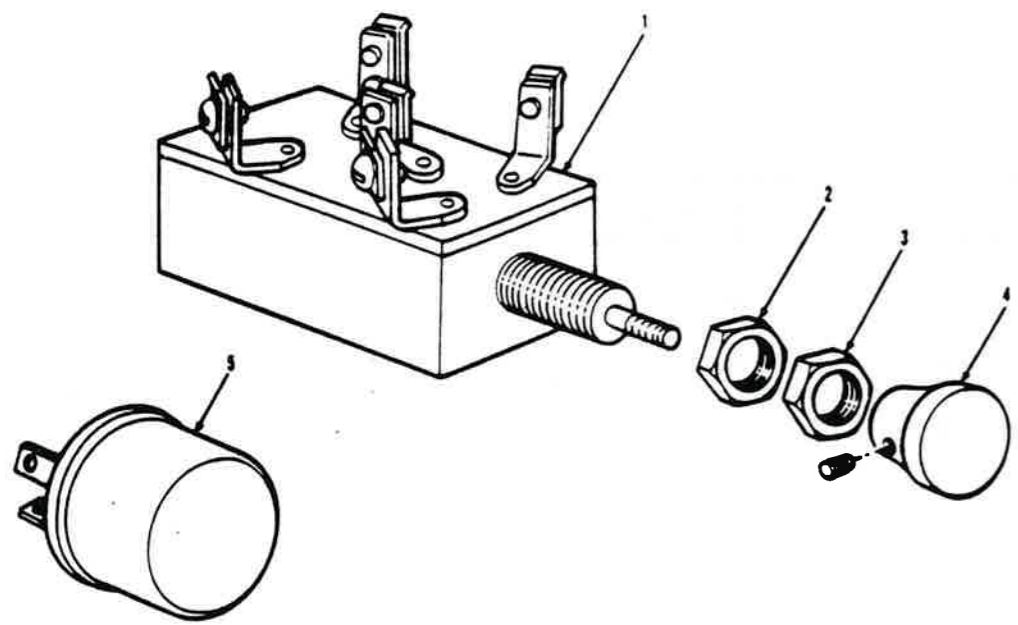


Figure 5-19 Directional Signal Switch

AM General Corporation

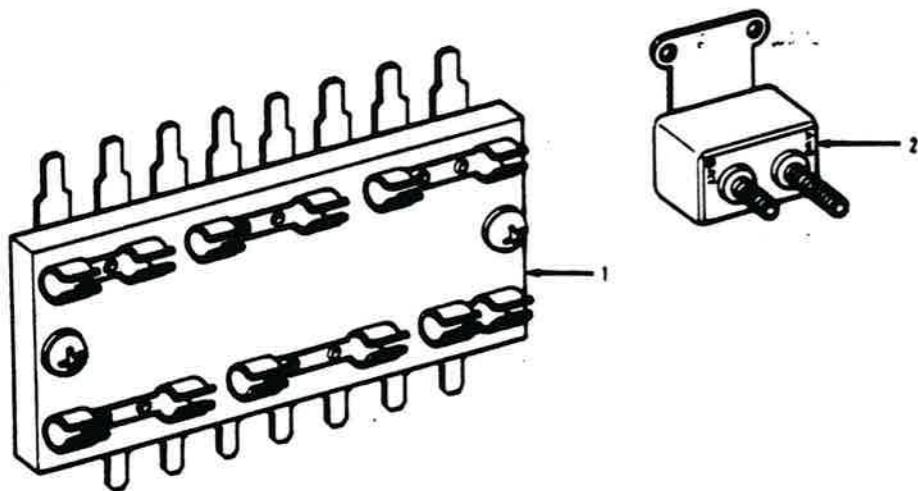
Item	Part Number	Description	Quantity Per Vehicle	
			LHD	RHD
Figure 5-18 TAIL, STOP AND LICENSE PLATE LAMPS & REFLECTOR				
1	5900576	Tail and Stop Lamp Assy.	2	2
2	N/S	Screw, Mounting	6	6
3	5900577	Kit, Tail & Stop Lamp Lens		
		Lens, Red	1	1
		Gasket	2	2
		Screw	3	3
	997008	License Plate Lamp	1	1
	982384	Bracket, License Plate Mtg.	2	2
	5950184	Reflector, Rear, Red.	2	2
Figure 5-19 DIRECTIONAL SIGNAL SWITCH				
1	5900457	Switch, Directional Signal	1	1
2	N/S	Screw	2	2
3	916772	Bracket, Mounting	1	1
4	990968	Flasher, Directional	1	1
	5900340	Kit, Directional Switch Repair		
		Plate, Cancelling	1	1
		Wheel, Cancelling	1	1

AM General Corporation



5014

Figure 5-20 Flasher Switch



5015

Figure 5-21 Circuit Breaker and Fuse Panel

AM General Corporation

Item	Part Number	Description	Quantity Per Vehicle	
			LHD	RHD
Figure 5-20 FLASHER SWITCH				
	996381	4-Way Flasher Switch Assy.....	1	1
1	N/S	Switch, 4-Way.....	1	1
2	N/S	Nut.....	1	1
3	N/S	Nut.....	1	1
4	N/S	Knob & Set Screw.....	1	1
5	997855	Flasher, H.D. Thermal.....	1	1
 Figure 5-21 CIRCUIT BREAKER AND FUSE PANEL				
1	3215529	Panel, Fuse.....	1	1
2	5900693	Circuit Breaker, W/S Wiper.....	1	1

AM General Corporation

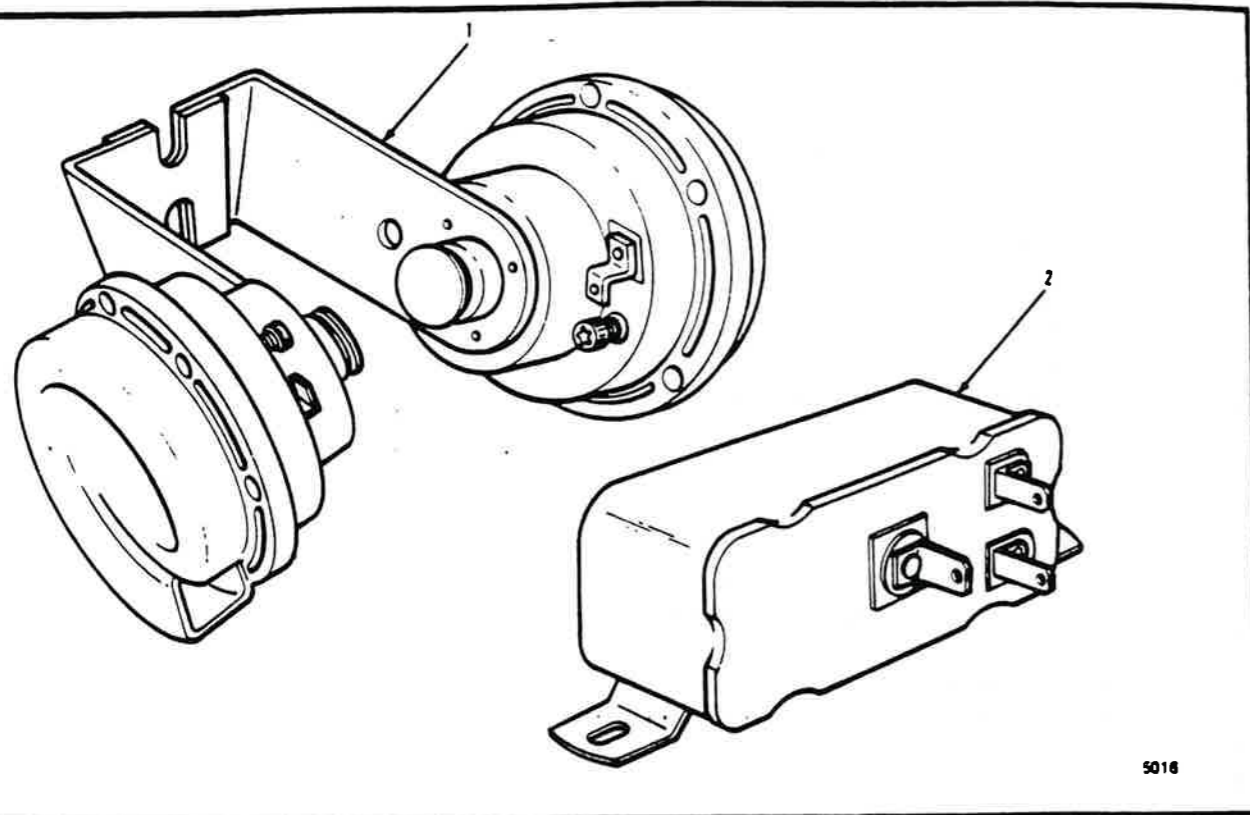


Figure 5-22 Horns

5016

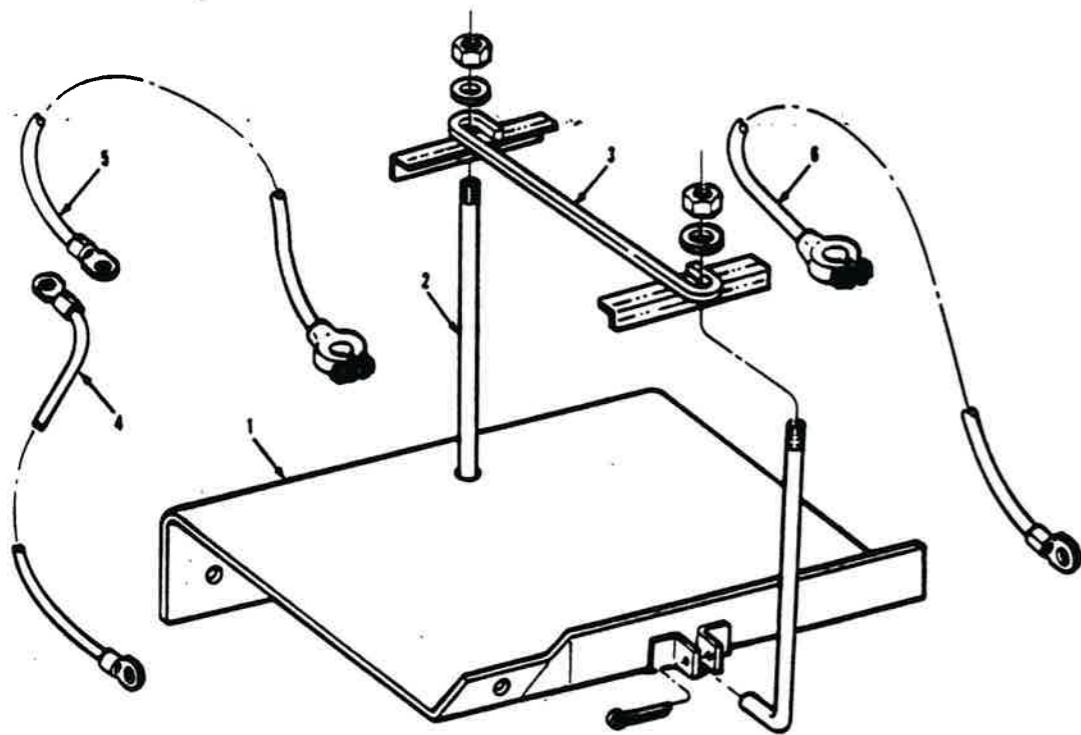


Figure 5-23 Battery Supports and Cables

5116

AM General Corporation

Item	Part Number	Description	Quantity Per Vehicle	
			LHD	RHD
Figure 5-22 HORNS				
1	5350064	Dual Horn Assy	1	1
2	930899	Relay, Horn	1	1
Figure 5-23 BATTERY SUPPORT AND CABLES				
1	980283	Battery Tray Assy.	1	1
2	N/S	Bolt, Battery Clamp	2	2
3	980381	Bracket, Battery Hold Down	1	1
4	983946	Cable, Solenoid to Starter Motor	1	1
5	997833	Cable, Battery Positive to Starter Solenoid	1	1
6	997834	Cable, Battery Negative to Ground	1	1

AM General Corporation

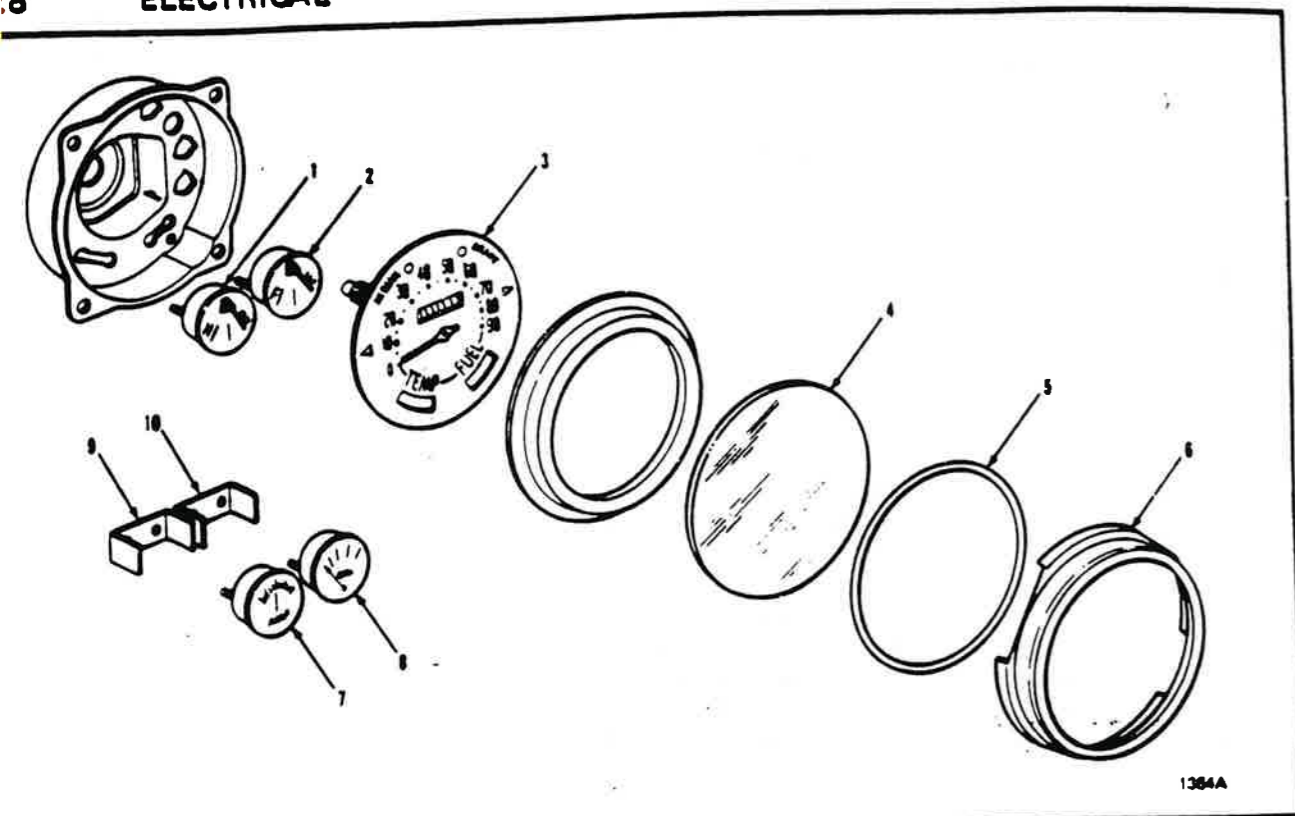


Figure 5-24 Instruments

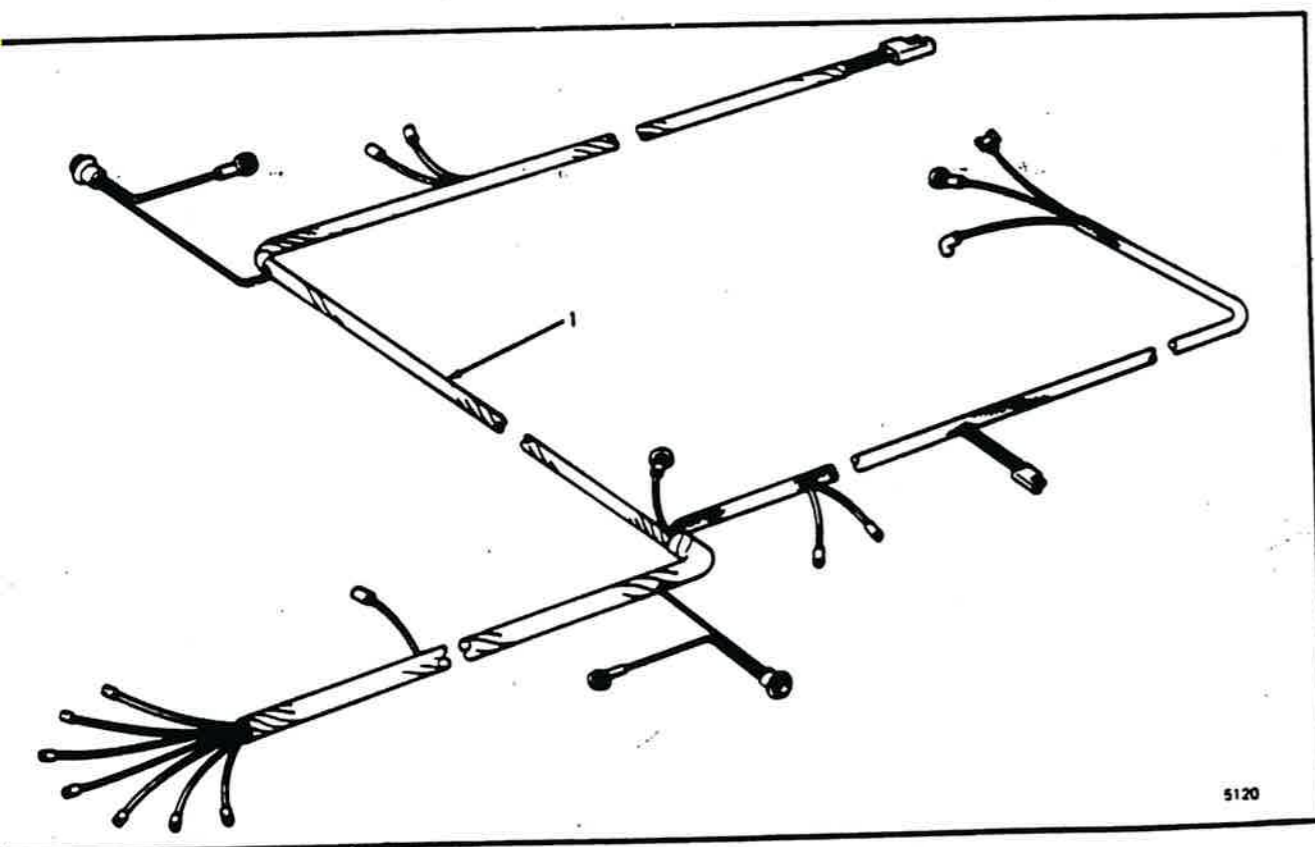
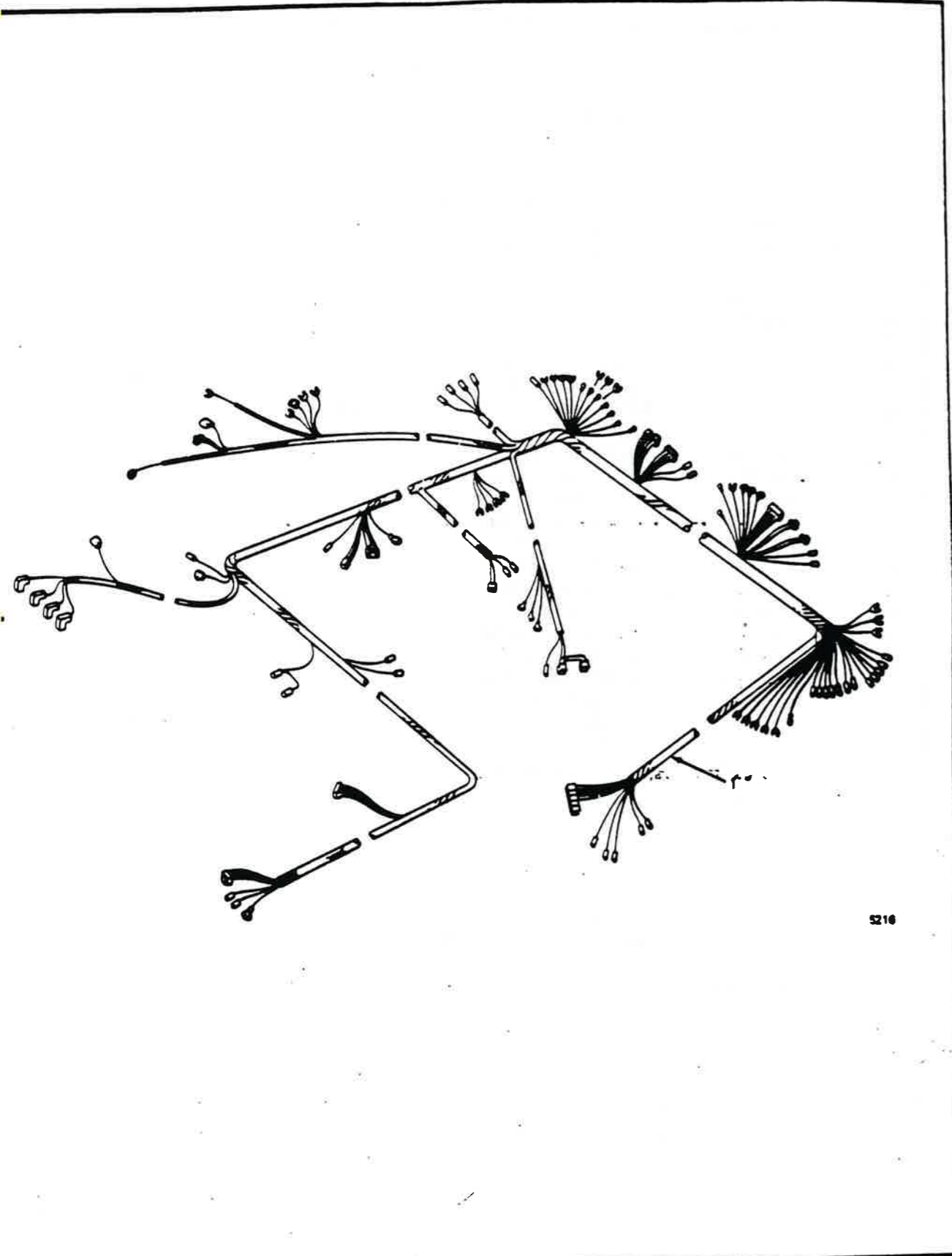


Figure 5-25 Body Wiring Harness

AM General Corporation

Item	Part Number	Description	Quantity, Per Vehicle	
			LHD	RHD
Figure 5-24 INSTRUMENTS				
	997025	Cluster Assembly, Instrument	1	1
1	914923	Gauge, Temperature	1	1
2	914922	Gauge, Fuel	1	1
3	997782	Speedometer	1	1
4	N/S	Glass	1	1
5	913384	Gasket	1	1
6	913385	Bezel	1	1
7	997772	Ammeter	1	1
8	997773	Gauge, Oil Pressure	1	1
9	5900257	Bracket, Mounting, Ammeter	1	1
10	997788	Bracket, Mounting, Oil Pressure Gauge	1	1
NI	928216	Jumper, Insulator Link	1	1
NI	5950370	Bracket, Instrument Light	2	2
NI	997897	Cable, Speedometer	1	1
NI	642364	Gasket, Speedometer Cable to Trans.	1	1
NI	3167039	Retainer, Driven Gear	1	1
NI	5950382	Conductor, Light	2	2
NI	5950346	Lens (Fan/Def/Air/Temp)		1
NI	5950347	Lens (Temp/Air/Def/Fan)	1	
NI	5950333	Lens (Hazard/Wiper-Washer)		1
NI	5950381	Lens (Wiper-Washer/Hazard)	1	
NI	5900709	Hood & Bracket, Conductor & Lens	2	2
NI	5900247	Kit, Oil Pressure Gauge Line	1	1
		Oil Pressure Line	1	1
		Insert	2	2
		Connector, Female	1	1
		Connector, Male	1	1
Figure 5-25 BODY WIRING HARNESS				
1	5900560	Harness Assembly, Wiring, Body	1	1

AM General Corporation



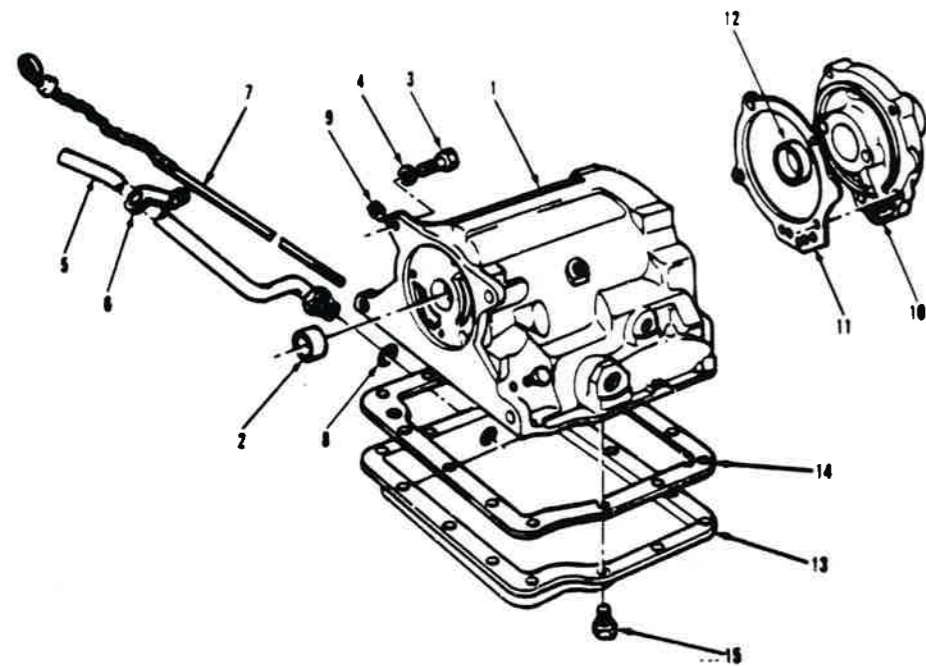
5216

Figure 5-26 Chassis Wiring Harness

AM General Corporation

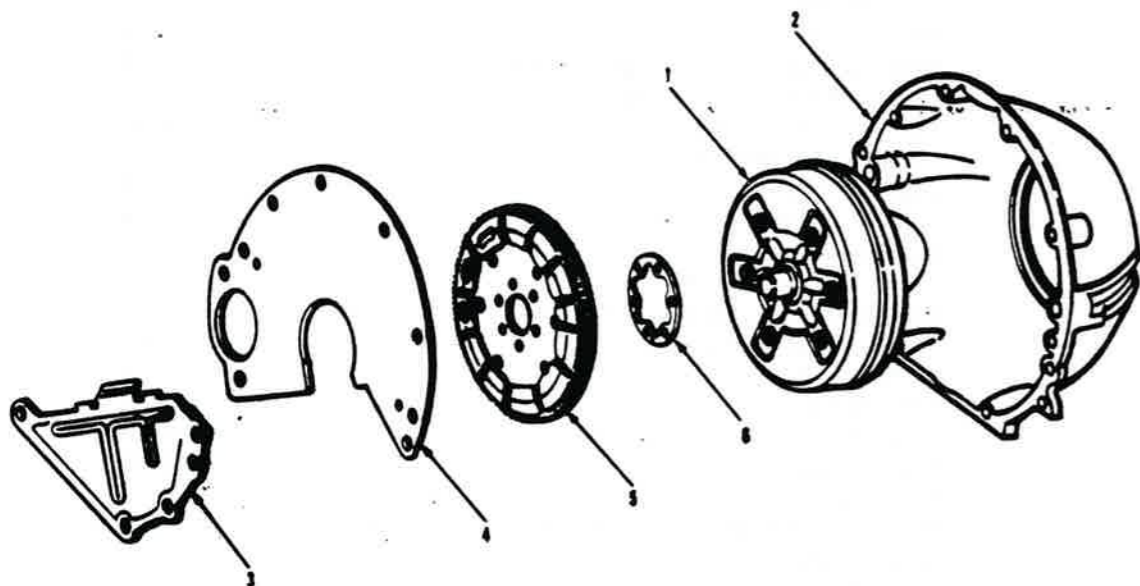
Item	Part Number	Description	Quantity Per Vehicle	
			LHO	RHO
Figure 5-26 CHASSIS WIRING HARNESS				
1	5963314	Harness Assembly, Wiring, Chassis (w/M-11 Trans)	1	1
	5900653	Harness Assembly, Wiring, Chassis (W/M-43 Trans)	1	1
	5902656	Fusible Link	1	1
	638977	Junction Block (Mtd. w/Starter Solenoid)	1	1
	5963307	Lead, Transmission Kickdown (w/M-11 Trans.)	1	1

AM General Corporation



5084

Figure 6-1 Case, Rear Adapter and Oil Pan (M-11)



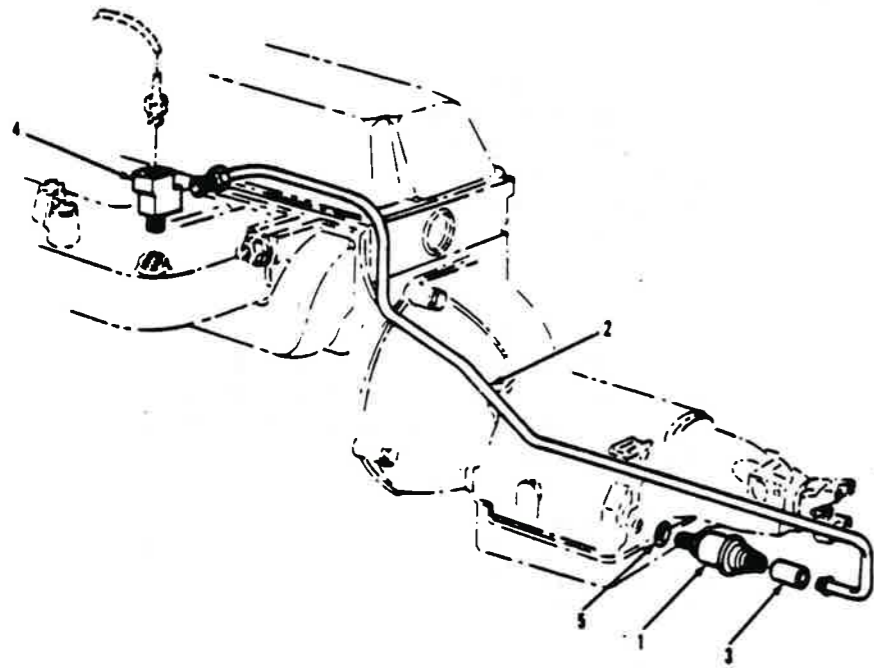
5085

Figure 6-2 Torque Converter (M-11)

AM General Corporation

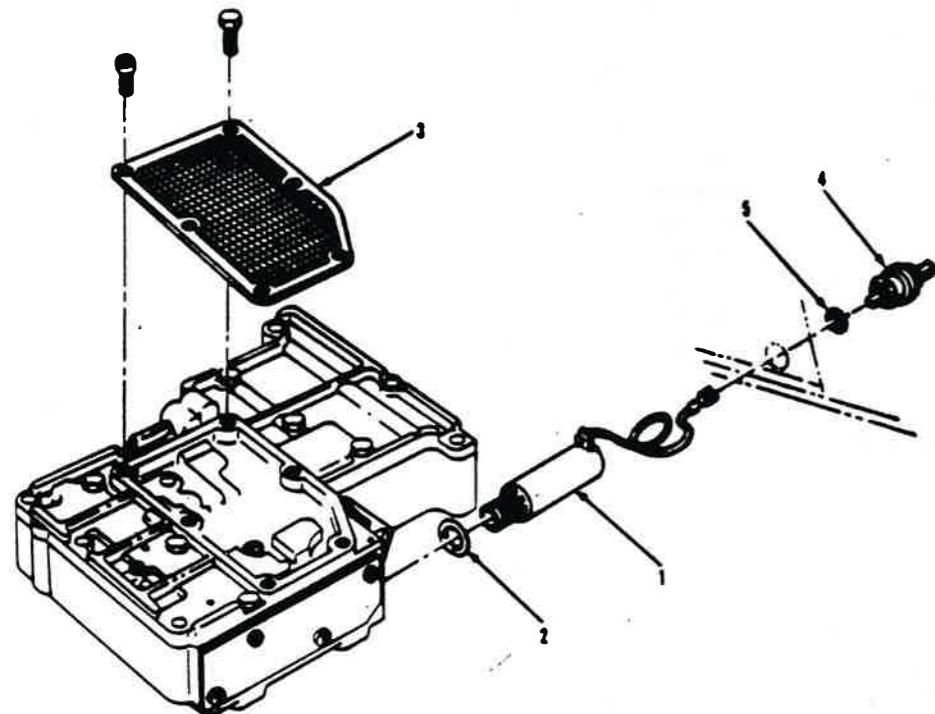
Item	Part Number	Description	Quantity Per Vehicle	
			LHD	RHD
<p>NOTE: Model DJ-5C vehicles bearing the following serial numbers are equipped with the Model M-11 transmission; all other DJ-5C vehicles are equipped with the Model M-43 transmission. Right-hand Drive: 317613 thru 318089, 410001 thru 418886, and 510227 up. Left-hand Drive: 400016 thru 401582, and 500049 up. Visual differences between the Models M-11 and M-43 transmissions are: Model M-11: The serial number plates bear AM General part number 5962713 and Warner Gear part number 10-03-000-057. The cases are cast iron. The propeller shaft used with this transmission has a journal-type front universal joint. Model M-43: The serial number plates bear either AM General part number 996779 with Warner Gear part number 10-02-000-016, or AM General part number 5900673 with Warner Gear part number 10-02-000-017. The cases are aluminum. The propeller shaft used with this transmission has a ball-and-trunnion type front universal joint.</p>				
<p>Figure 6-1 CASE, REAR ADAPTER AND OIL PAN (M-11)</p>				
		Transmission Assy (Warner Gear M-11)	1	1
		Transmission Case Assy	1	1
1	5962713	Case	1	1
2	5950607	Bushing	1	1
3	N/S	Bolt	4	4
4	5950608	Lockwasher	4	4
5	N/S	Filler Tube Assy	1	1
6	5900303	Bracket, Filler Tube	1	1
7	5900294	Dipstick	1	1
8	5958274	Gasket, Filler Tube	1	1
9	3184697	Breather	1	1
10	5950915	Adapter, Rear	1	1
11	5950609	Gasket, Rear Adapter	1	1
12	5950610	Bushing, Rear Adapter	1	1
13	5950701	Oil Pan Assy	1	1
14	5950614	Gasket, Oil Pan	1	1
15	5950615	Bolt	14	14
	4000722			
<p>Figure 6-2 TORQUE CONVERTER (M-11)</p>				
1	5962765	Converter Assy	1	1
2	3219162	Housing, Converter	1	1
3	3213744	Cover, Housing	1	1
4	3213743	Spacer, Housing to Engine	1	1
5	5900002	Plate, Drive	1	1
6	3214094	Plate, Reinforcement	1	1

AM General Corporation



5086

Figure 6-3 Vacuum Modulator (M-11)



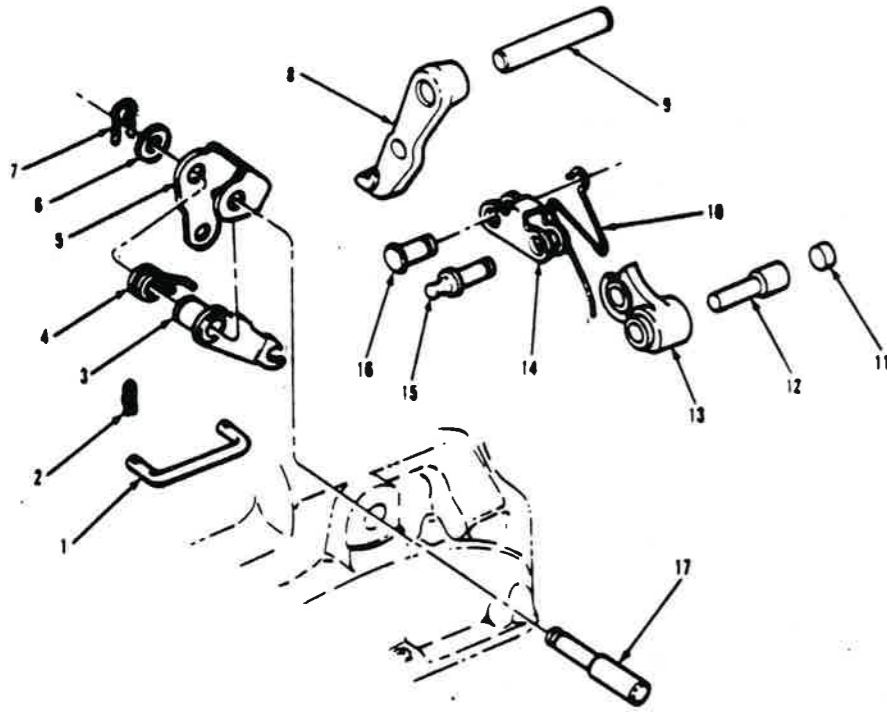
5087

Figure 6-4 Valve Body, Down-Shift Solenoid and Terminal (M-11)

AM General Corporation

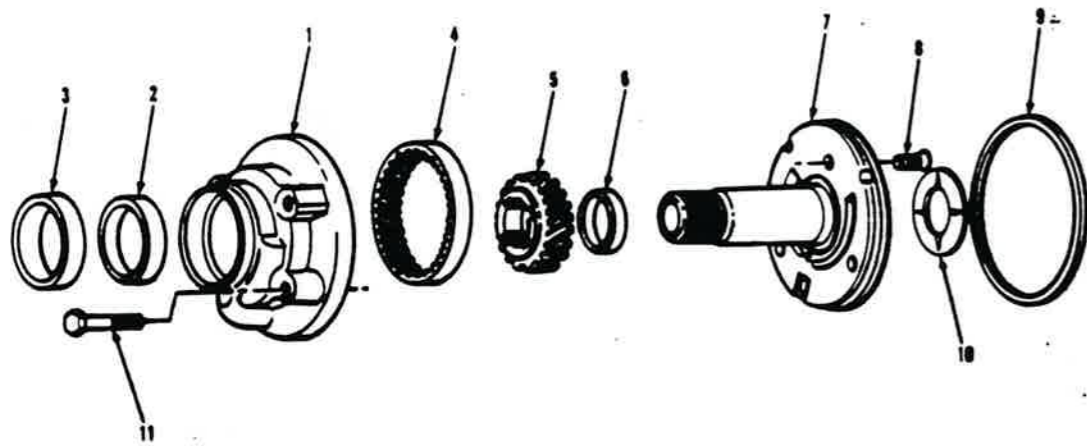
Item	Part Number	Description	Quantity Per Vehicle	
			LHD	RHD
Figure 6-3 VACUUM MODULATOR (M-11)				
1	5950899	Modulator, Vacuum	1	1
2	5900254	Tube Assy	1	1
3	997862	Hose, Vacuum	1	1
4	N/S	Connector, Vacuum Tube to Manifold	1	1
5	5950884	O-Ring	1	1
	5950618	Push Rod, Modulator	1	1
 Figure 6-4 VALVE BODY, DOWN-SHIFT SOLENOID AND TERMINAL (M-11)				
	5950620	Valve Body Assy	1	1
1	5950621	Solenoid, Down-Shift	1	1
2	5950898	O-Ring	1	1
3	5950917	Oil Strainer	1	1
4	5950916	Wire Terminal, Down-Shift Solenoid	1	1
5	5950943	O-Ring, Terminal	1	1

AM General Corporation



5088

Figure 6-5 Park/Lock Components (M-11)



5089

Figure 6-6 Oil Pump (M-11)

AM General Corporation

Item	Part Number	Description	Quantity Per Vehicle	
			LHD	RHD
Figure 6-5 PARK/LOCK COMPONENTS (M-11)				
1	5950852	Rod, Parking Brake Linkage	1	1
2	5950853	Clip, Parking Brake Linkage Rod	2	2
3	5950848	Lever Assembly, Toggle Lift	1	1
4	5950849	Spring, Park Brake Toggle Lever	1	1
5	5950636	Lever, Park Brake Torsion	1	1
6	5960850	Washer, Park Brake	1	1
7	5950851	Spring, Retaining	1	1
8	5950623	Pawl, Parking Brake	1	1
9	5950631	Pin, Parking Brake Anchor	1	1
10	5950845	Spring, Parking Brake Release	1	1
11	5950630	Retainer, Toggle Pin	1	1
12	5950629	Pin, Parking Brake Toggle	1	1
13	5950846	Lever, Park Brake Toggle	1	1
14	5950843	Link, Parking Brake Toggle	1	1
15	5950847	Pin, Parking Brake Toggle	1	1
16	5950844	Pin, Park Toggle Link	1	1
17	5850854	Pin, Torsion Lever Park Brake	1	1
Figure 6-6 OIL PUMP (M-11)				
	5950639	Oil Pump Assy.	1	1
1	N/S	Body	1	1
2	5950954	Bushing, Body	1	1
3	5950640	Oil Seal	1	1
4	N/S	Gear, Driven	1	1
5	N/S	Gear, Drive	1	1
6	N/S	Bushing, Front Pump	1	1
7	N/S	Support and Bushing Assy.	1	1
8	N/S	Screw	1	1
9	5950641	Gasket, Oil Pump	1	1
10	5950612	Thrust Washer, Input Shaft.	1	1
11	N/S	Bolt	4	4

AM General Corporation

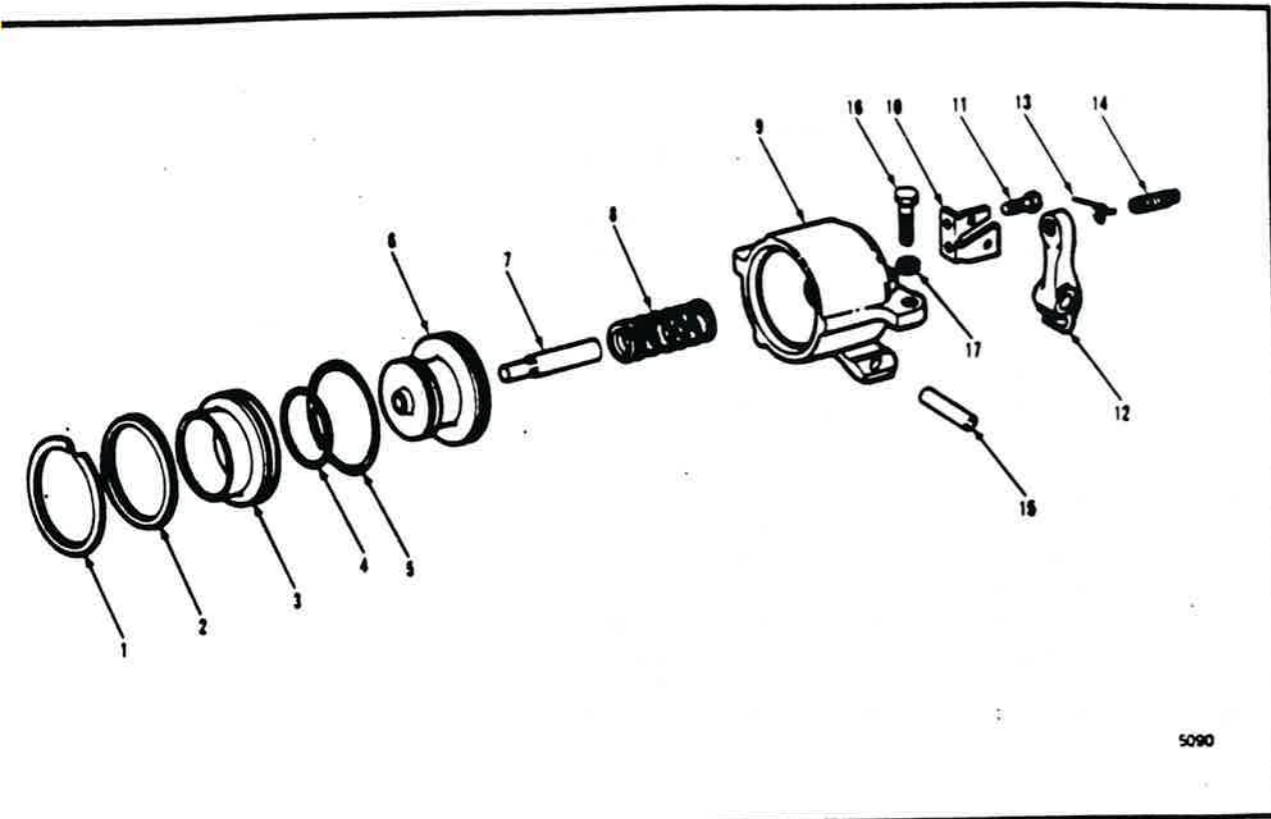


Figure 6-7 Front Servo (M-11)

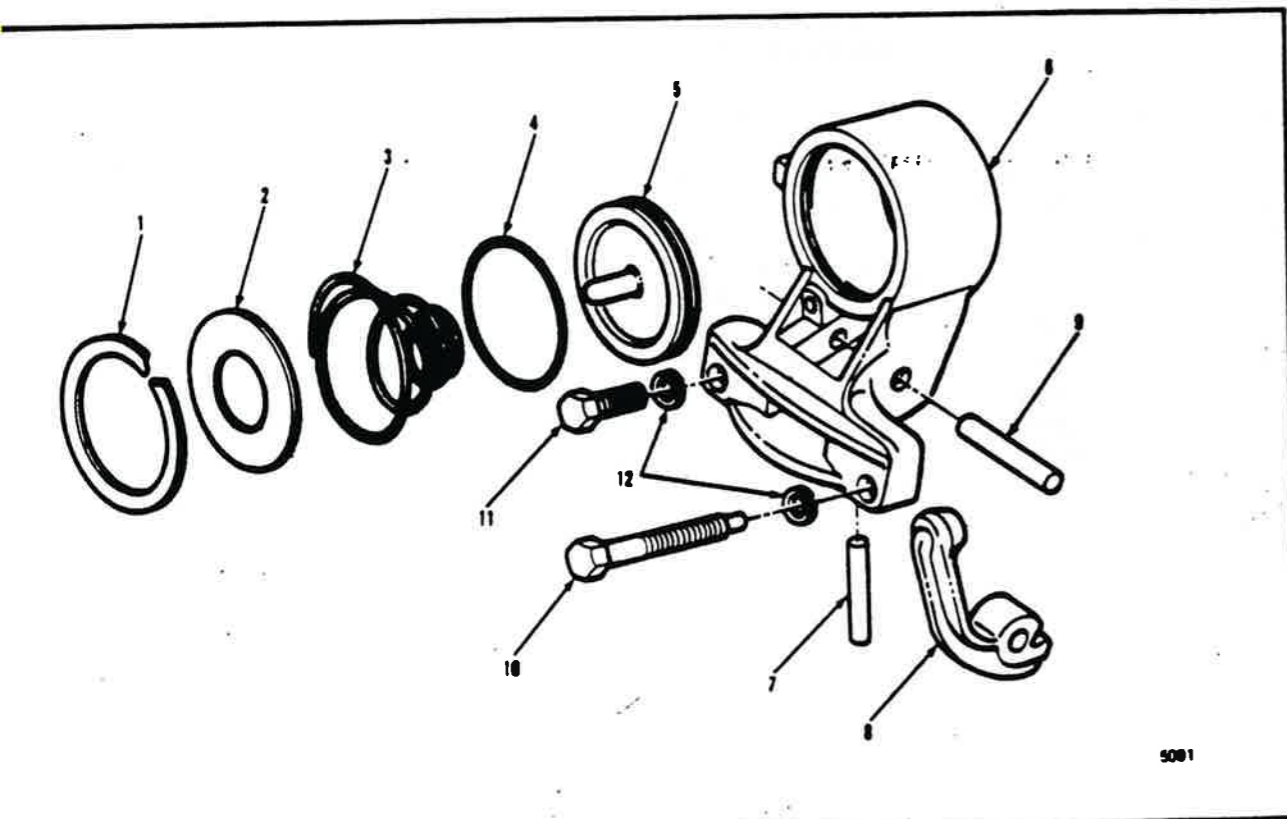


Figure 6-8 Rear Servo (M-11)

AM General Corporation

AM General Corporation

Item	Part Number	Description	Quantity Per Vehicle	
			LHD	RHD
Figure 6-7 FRONT SERVO (M-11)				
	5950642	Front Servo Assy	1	1
1	5950864	Ring, Snap	1	1
2	5950645	Ring, Sealing	1	1
3	5950863	Sleeve	1	1
4	5950644	Ring, Sealing	1	1
5	5950643	Ring, Sealing	1	1
6	5950861	Piston	1	1
7	5950862	Pin	1	1
8	3196579	Spring	1	1
9	5950855	Body	1	1
10	5950858	Plate, Cam	1	1
11	N/S	Screw	2	2
12	5950856	Lever	1	1
13	5950859	Spring	1	1
14	5950860	Screw, Adjusting	1	1
15	5950857	Pin	1	1
16	N/S	Bolt	1	1
17	N/S	Lockwasher	1	1
 Figure 6-8 REAR SERVO (M-11)				
	5950646	Rear Servo Assy	1	1
1	5950872	Ring, Retainer	1	1
2	5950871	Retainer, Spring	1	1
3	5950870	Spring	1	1
4	5950647	Ring, Sealing	1	1
5	5950869	Piston	1	1
6	5950865	Body and Plug Assy	1	1
7	5950867	Shaft	1	1
8	5950866	Lever	1	1
9	5950868	Pin	1	1
10	N/S	Bolt	1	1
11	N/S	Screw	1	1
12	N/S	Lockwasher	2	2

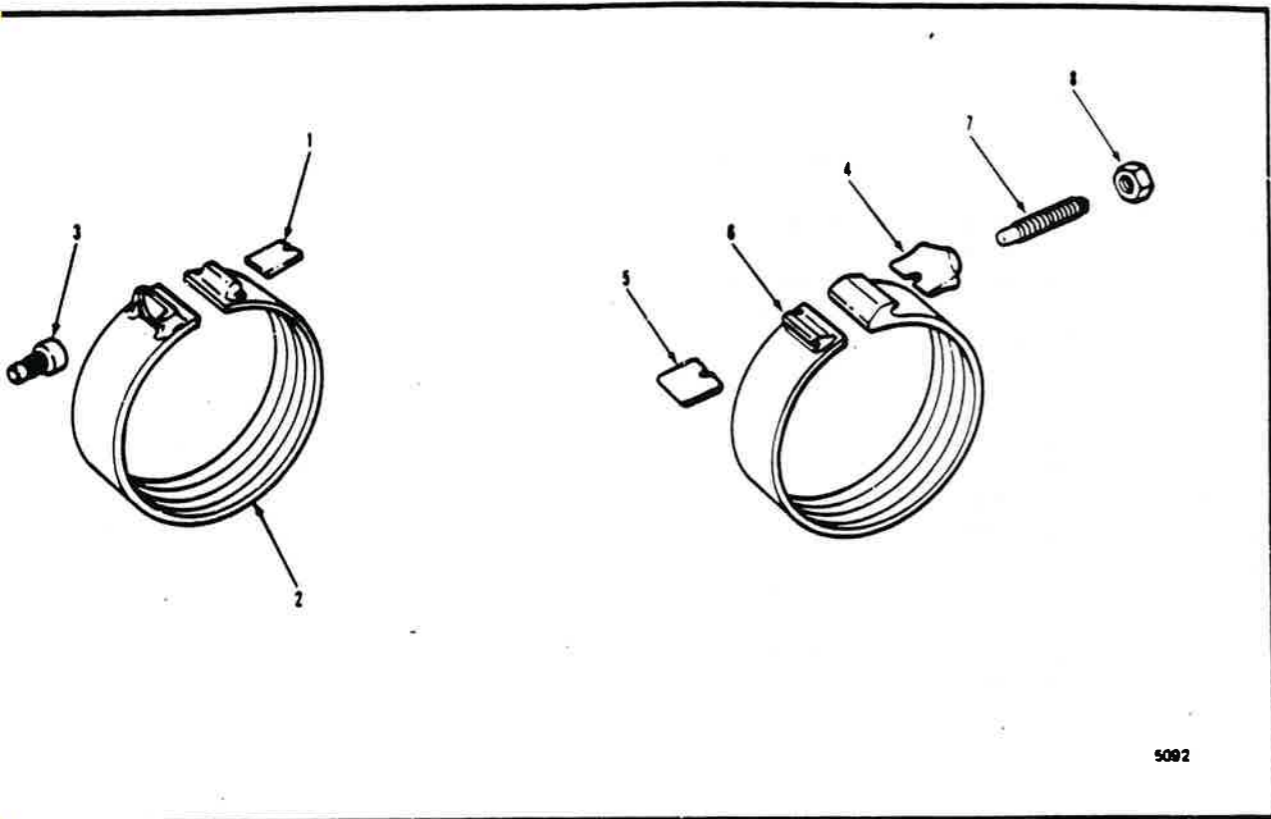


Figure 6-9 Front and Rear Bands (M-11)

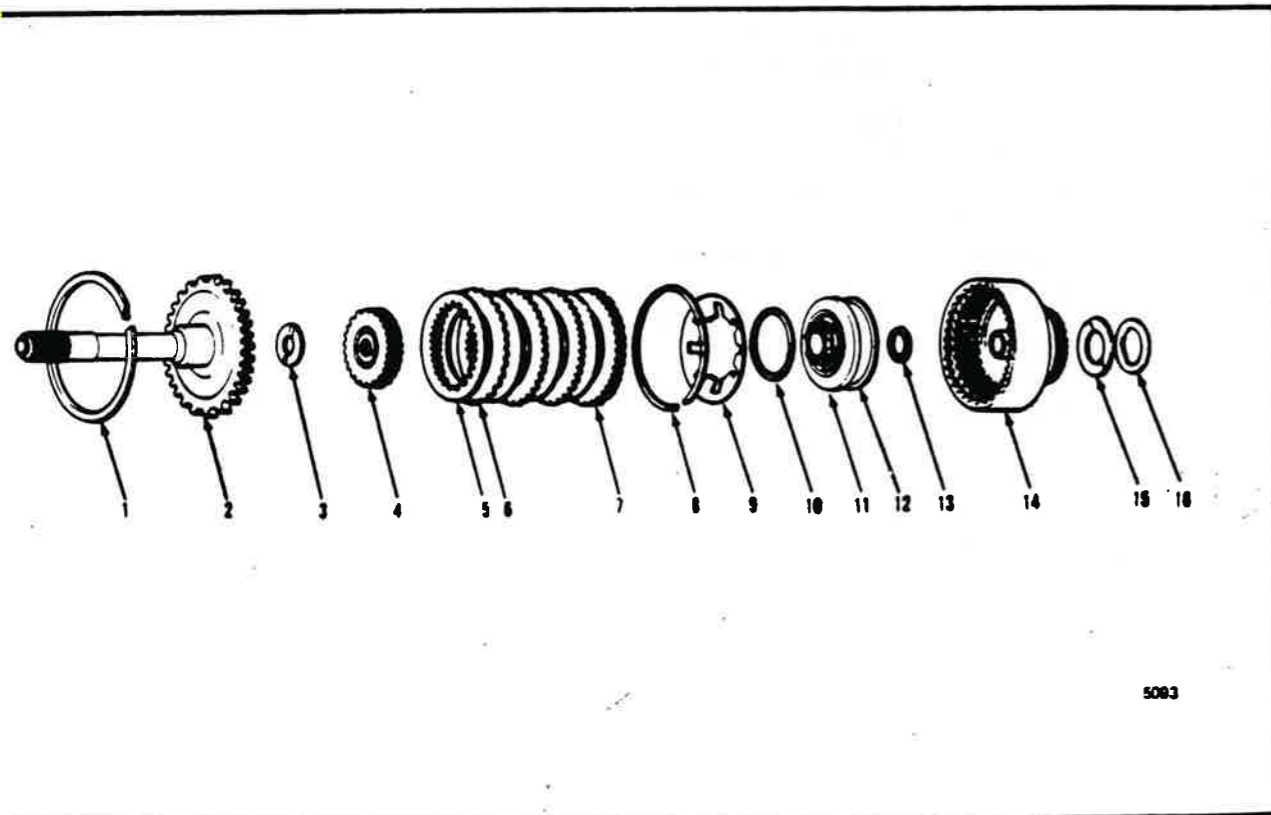
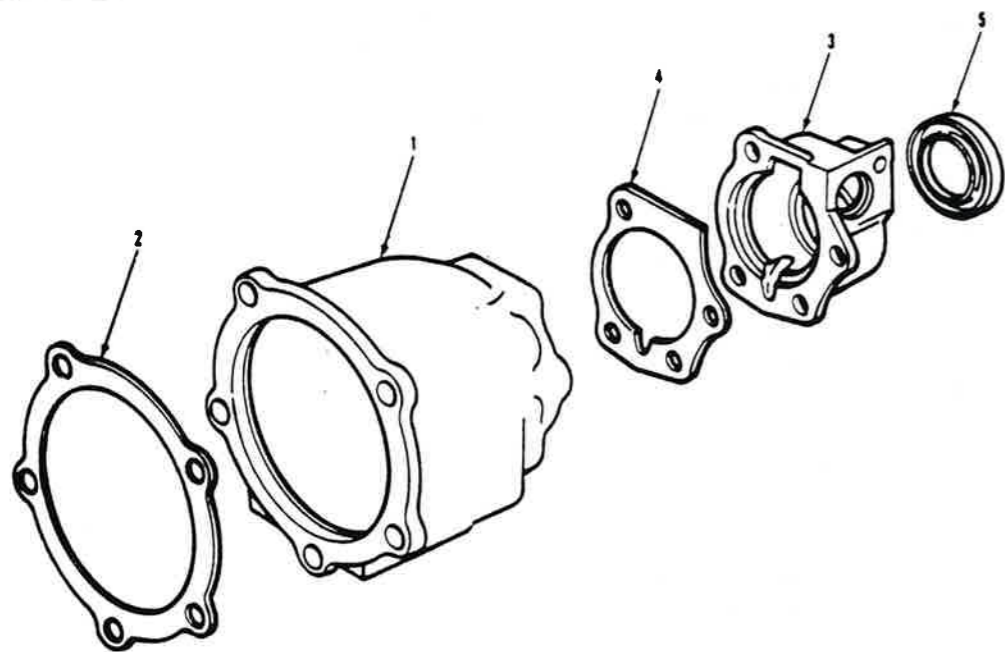


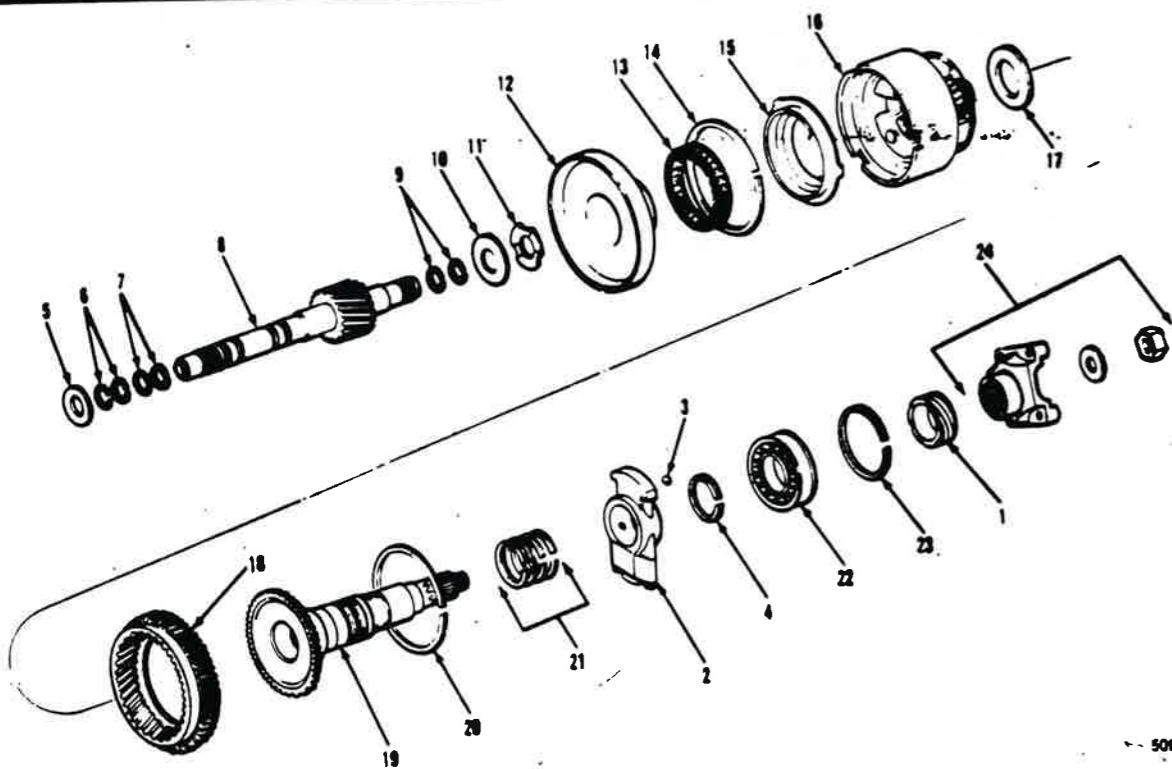
Figure 6-10 Front Clutch (M-11)

Item	Part Number	Description	Quantity Per Vehicle	
			LHD	RHD
Figure 6-9 FRONT AND REAR BANDS (M-11)				
1	5950873	Strut, Front Band	1	1
2	5950648	Band Assy, Front Brake	1	1
3	5950885	Pin, Anchor	1	1
4	5950874	Strut, Rear Band Apply	1	1
5	5950875	Strut, Rear Band Anchor	1	1
6	5950649	Band Assy, Rear Brake	1	1
7	N/S	Screw, Rear Servo Adjusting	1	1
8	N/S	Nut, Adjusting Screw	1	1
Figure 6-10 FRONT CLUTCH (M-11)				
1	5950697	Ring, Retainer	1	1
2	5950611	Input Shaft Assy	1	1
	5950613	Input Shaft Bushing		
3	5950882	Washer, Thrust	1	1
4	5950881	Hub, Front Clutch	1	1
5	5950695	Plate, Inner, Clutch	4	4
6	5950654	Plate, Outer, Clutch	3	3
7	5950652	Plate, Pressure	1	1
8	5950880	Ring, Spring	1	1
9	5950751	Spring	1	1
10	5950879	Ring, Spring Bearing	1	1
11	5950877	Piston	1	1
12	5950878	Ring	1	1
13	5950650	Ring, Sealing	1	1
14	5950876	Cylinder	1	1
15	5950656	Washer, Thrust	1	1
16	5950655	Washer, Thrust	1	1



5084

Figure 6-11 Rear Extension Housing and Bearing Retainer (M-11)



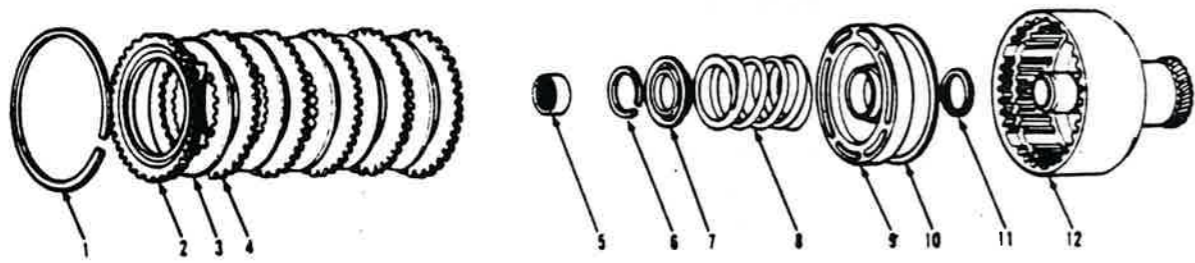
5086

Figure 6-12 Forward Sun Gear, Output Shaft, Governor and Speedometer Drive Gear (M-11)

AM General Corporation

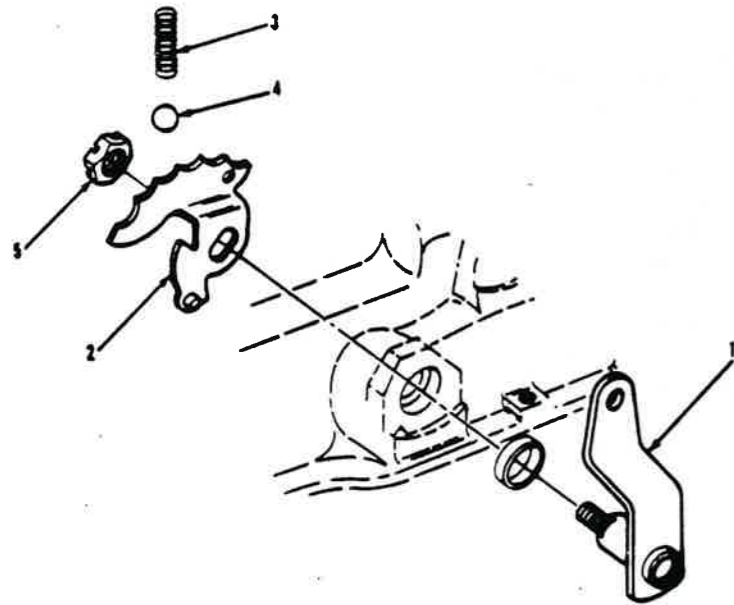
Item	Part Number	Description	Quantity Per Vehicle	
			LHD	RHD
Figure 6-11 REAR EXTENSION HOUSING AND BEARING RETAINER (M-11)				
1	5950834	Extension Housing	1	1
2	5950660	Gasket	1	1
3	5950835	Bearing Retainer	1	1
	5950837	Kit, Bearing Retainer Seal & Gasket	1	1
4		Gasket	1	1
5	5950886	Seal, Oil		
Figure 6-12 FORWARD SUN GEAR, OUTPUT SHAFT, GOVERNOR, AND SPEEDOMETER DRIVE GEAR (M-11)				
1	5950840	Gear, Speedometer Drive	1	1
2	5950663	Governor Assy	1	1
3	N/S	Ball, Steel	1	1
4	5950668	Ring, Snap	1	1
5	5950674	Washer, Thrust	1	1
6	5950671	Ring, Sealing	2	2
7	5950914	Ring, Sealing	2	2
8	5950670	Forward Sun Gear Assy	1	1
9	5950887	Ring, Sealing	2	2
10	5950675	Bearing, Needle	1	1
11	5950738	Plate, Thrust	1	1
12	3153462	Support, Center	1	1
13	5950677	Clutch Assy	1	1
14	N/S	Ring, Snap	1	1
15	N/S	Race and Bushing Assy	1	1
16	5950676	Planet Gears and Rear Drum Assy	1	1
17	5950678	Washer, Thrust .064-.0615"		
	5950679	Washer, Thrust .070-.0675"		
	5950680	Washer, Thrust .077-.0745"		
	5950681	Washer, Thrust .084-.0815"		
	5950682	Washer, Thrust .095-.0925"		
	5950683	Washer, Thrust .108-.1055"		
18	5950686	Gear, Ring	1	1
19	5950801	Output Shaft Assy	1	1
20	5950687	Ring, Snap	1	1
21	5950669	Ring, Sealing	4	4
22	5950838	Bearing	1	1
23	5950839	Ring, Snap	1	1
24	5950836	Kit, Companion Flange	1	1
* Used optionally - selective fit				

AM General Corporation



5096

Figure 6-13 Rear Clutch (M-11)



5097

Figure 6-14 Shift Controls-At Transmission (M-11)

AM General Corporation

Item	Part Number	Description	Quantity Per Vehicle	
			LHD	RHD
Figure 6-13 REAR CLUTCH (M-11)				
	5950689	Rear Clutch Assy	1	1
1	5950697	Ring, Retainer	1	1
2	5950696	Plate, Pressure	1	1
3	5950695	Plate, Inner, Clutch	4	4
4	5950694	Plate, Outer, Clutch	4	4
5	5950892	Bearing, Needle	1	1
6	5950693	Ring, Snap	1	1
7	5950888	Seat, Spring	1	1
8	5950889	Spring	1	1
9	5950890	Piston	1	1
10	5950692	Ring, Piston	1	1
11	5950891	Ring, Sealing	1	1
12	5950893	Drum Assy	1	1
	5950690	Gear, Reverse Sun	1	1
Figure 6-14 SHIFT CONTROLS - AT TRANSMISSION (M-11)				
1	5950841	Lever Assy, Manual Control	1	1
2	5950946	Lever Assy, Manual Valve	1	1
3	5950945	Spring, Detent Ball	1	1
4	G453593	Ball	1	1
5	N/S	Locknut	1	1

AM General Corporation

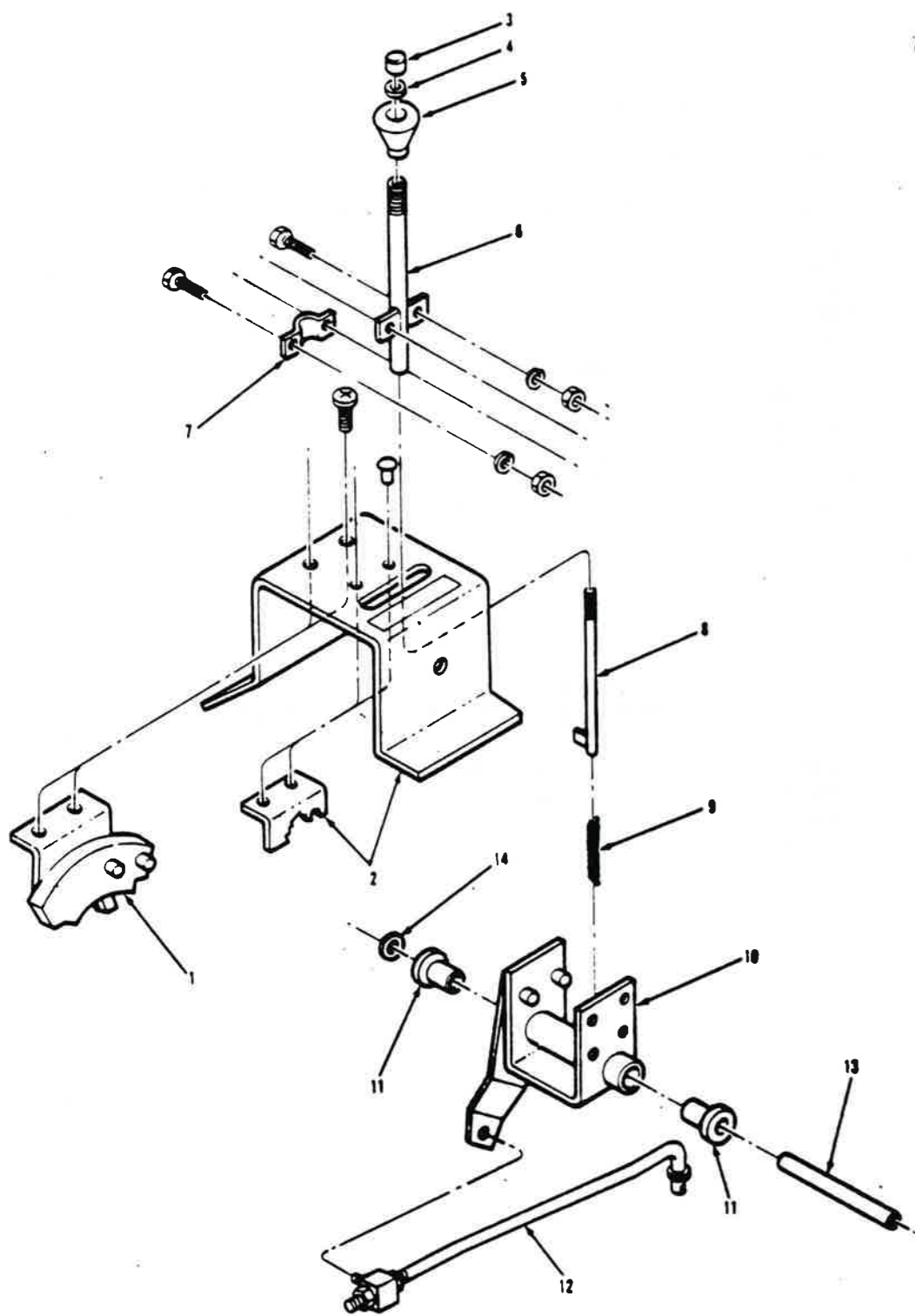
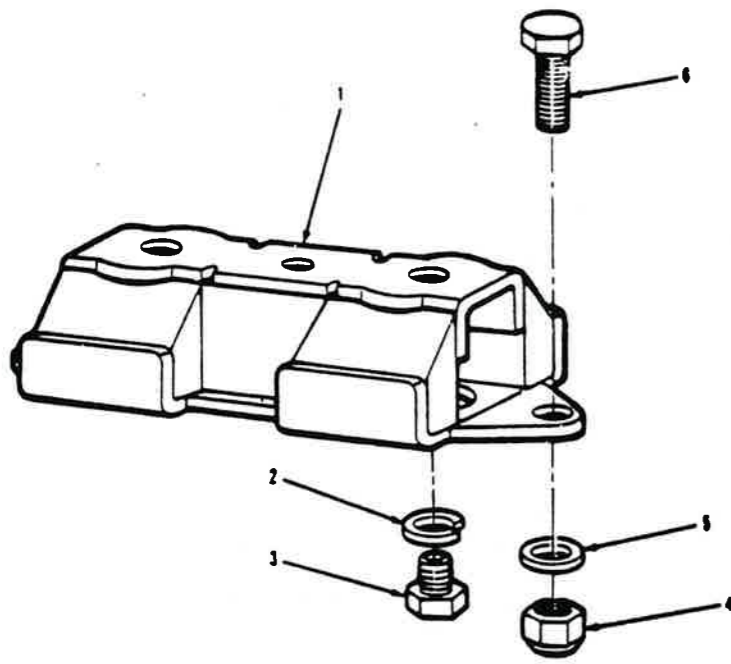


Figure 6-15 Shift Controls-Floor Mounted

AM General Corporation

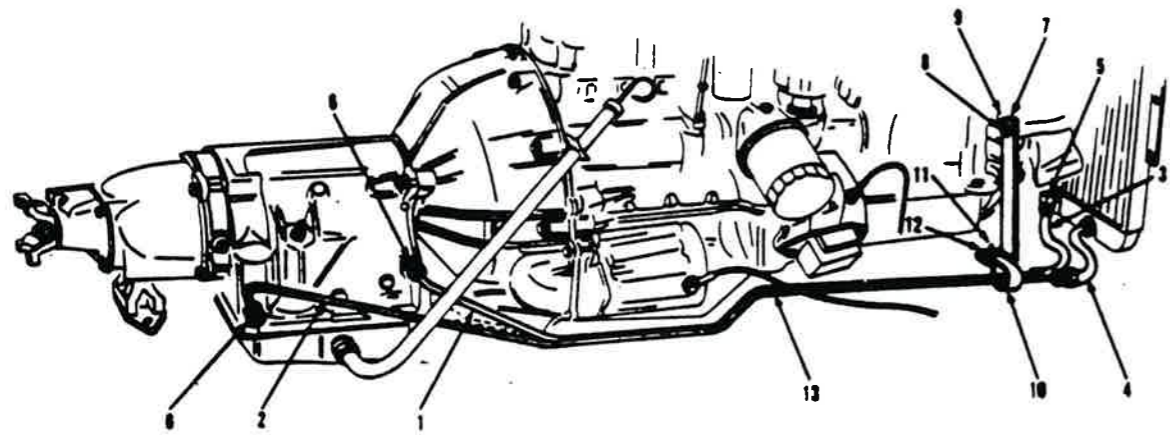
Item	Part Number	Description	Quantity Per Vehicle	
			LHD	RHD
Figure 6-15				
SHIFT CONTROLS—FLOOR MOUNTED				
1	990248	Switch and Bracket Assy	1	1
2	997807	Cover Assy	1	1
	5950726	Kit, Shift Selector		
3	991537	Button	1	1
4	997917	Washer	1	1
5	991538	Knob	1	1
6	997802	Tube Assy	1	1
7	997798	Bracket	1	1
8	997801	Shaft Assy	1	1
9	997804	Spring	1	1
	5950947	Kit, Cross Shaft, Shifting-Repair (M-11)		
	5950727	Kit, Cross Shaft, Shifting-Repair (M-43)	1	1
10	997805	Bracket & Shaft Assy	1	1
11	990253	Bearings, Cross Shaft	2	2
12	5962567	Rod Assy, Shift (Kit 5950947)	1	1
	983949	Rod Assy, Shift (Kit 5950727)	1	1
	3189626	Block, Adjusting	1	1
13	990249	Shaft, Cross-Lower	1	1
14	958649	Washer, Spring	1	1
		Nut and Lockwasher Assy	2	2

AM General Corporation



5099

Figure 6-16 Transmission Mounting



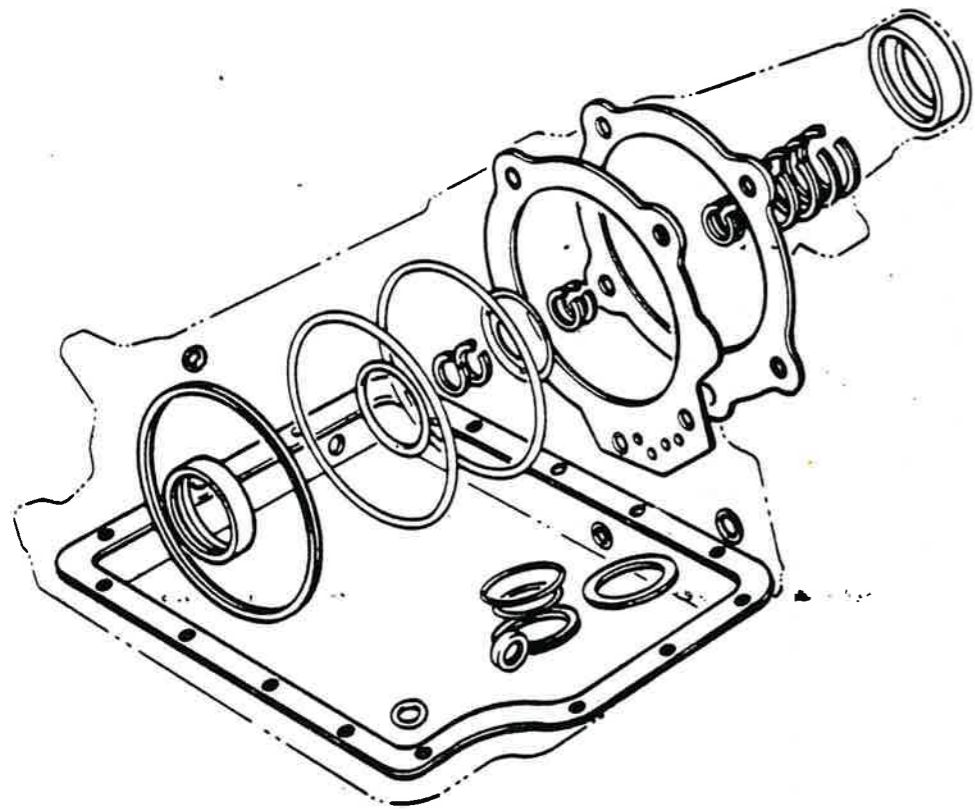
5100

Figure 6-17 Oil Cooler Tubes (M-11)

AM General Corporation

Item	Part Number	Description	Quantity Per Vehicle	
			LHD	RHD
Figure 6-16 TRANSMISSION MOUNTING				
1	912721	Insulator	1	1
2	N/S	Lockwasher	2	2
3	N/S	Bolt	2	2
4	982251	Locknut	2	2
5	N/S	Washer, Flat	2	2
6	N/S	Bolt	2	2
Figure 6-17 OIL COOLER TUBES (M-11)				
1	5962610	Tube (35.5" Long)	1	1
2	5962611	Tube (45.0" Long)	1	1
3	997217	Hose (15.0" Long)	1	1
4	3193870	Hose (9.0" Long)	1	1
5	N/S	Elbow	1	1
6	N/S	Connector	2	2
7	5962609	Bracket	1	1
8	N/S	Bolt	1	1
9	N/S	Lockwasher	1	1
10	997631	Clamp	1	1
11	N/S	Screw	1	1
12	N/S	Nut and Lockwasher	1	1
13	3156574	Clip	2	2

AM General Corporation



5122

Figure 6-18 Seals and Gaskets (M-11)

AM General Corporation

Item	Part Number	Description	Quantity Per Vehicle	
			LHD	RHD
		Figure 6-18 SEALS AND GASKETS (M-11)		
	5950842	Kit, Gasket & Seal Set, Overhaul	1	1

AM General Corporation

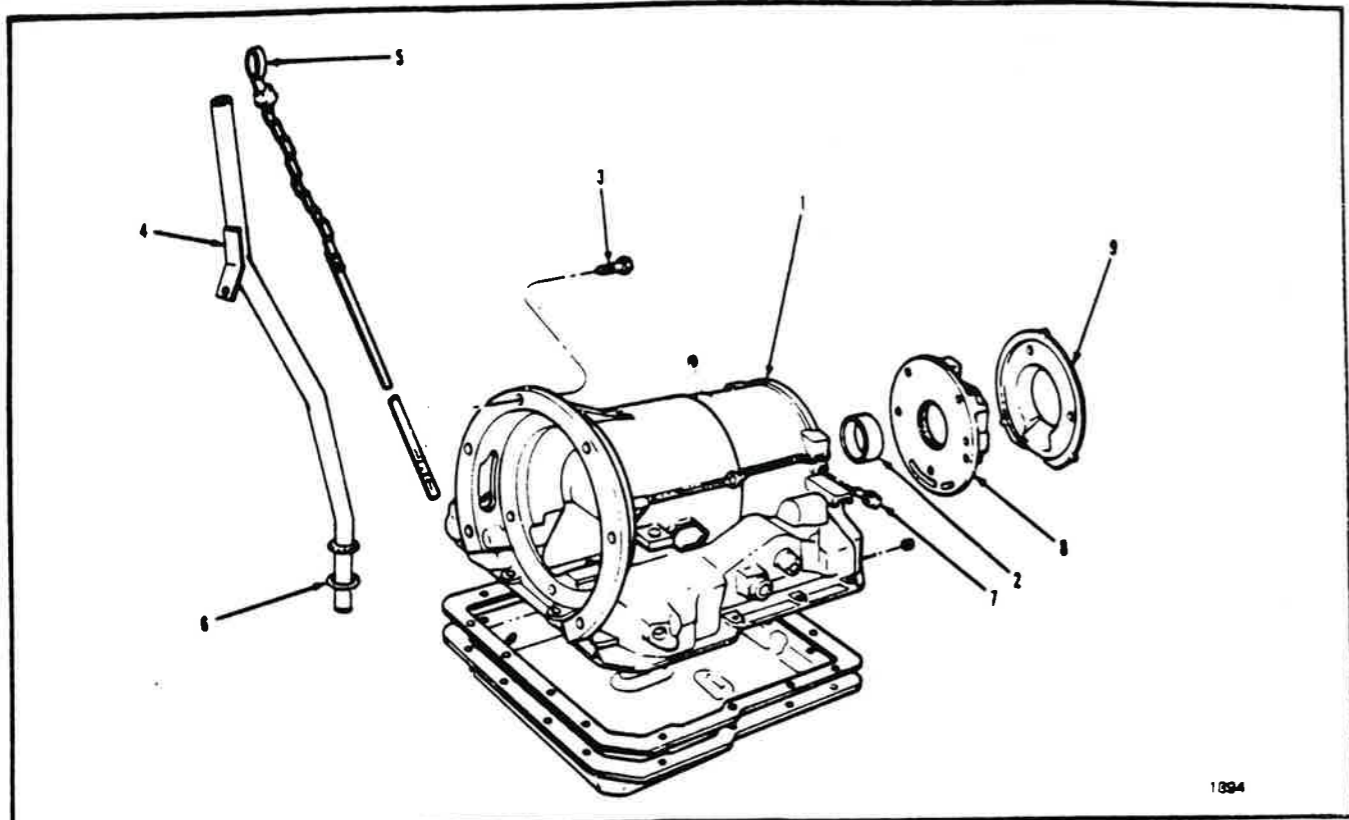


Figure 6-19 Case, Rear Adapter and Oil Pan (M-43)

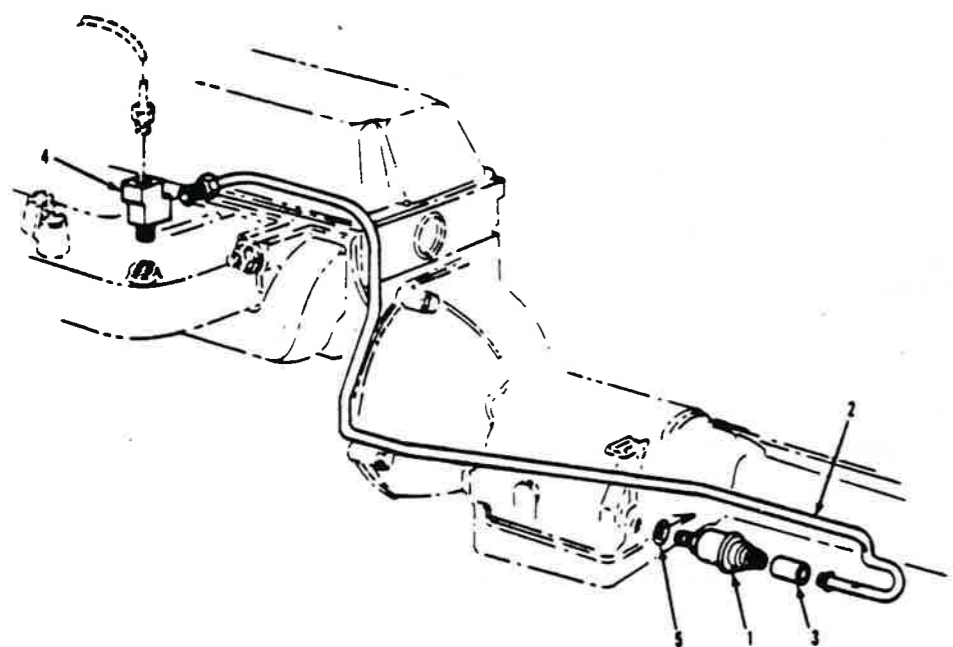
1094



Item	Part Number	Description	Quantity Per Vehicle	
			LHD	RHD
Figure 6-19 CASE, REAR ADAPTER AND OIL PAN (M-43)				
	5900673	Transmission Assy (M-43)	1	1
	8120049	Transmission Case Assy	1	1
1	N/S	Case	1	1
2	3203839	Bushing	1	1
3	N/S	Bolt And Lockwasher	6	6
4	5900044	Filler Tube Assy	1	1
5	3197672	Dipstick	1	1
6	3197260	Gasket, Filler Tube	1	1
7	5950915	Breather	1	1
8	3185553	Adapter, Rear	1	1
9	3170944	Baffle, Adapter Breather	1	1
10	3164825	Gasket	1	1
11	4000722	Bolt	15	15
12	3198593	Oil Pan Assy	1	1
NI	5950737	Gasket And Seal Set, Overhaul	1	1
Figure 6-20 TORQUE CONVERTER AND HOUSING (M-43)				
1	3211089	Converter Assy	1	1
2	3217556	Housing, Converter	1	1
3	3213744	Cover, Housing	1	1
4	3213743	Spacer, Housing To Engine	1	1
5	5900002	Drive	1	1
6	3214094	Plate, Reinforcement	1	1

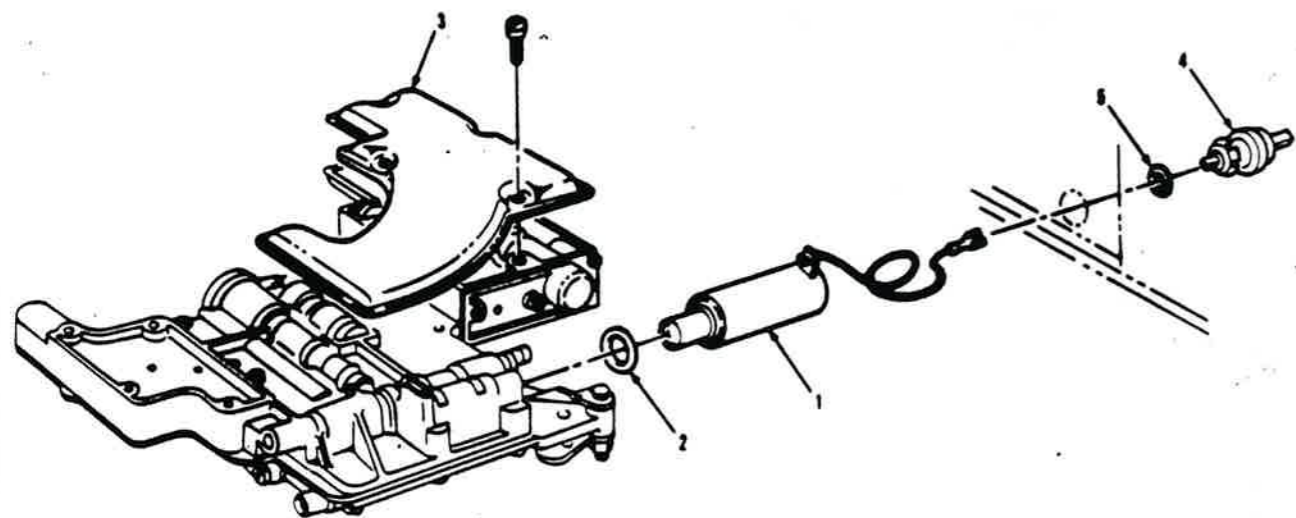
Figure 6-20 Torque Converter and Housing (M-43)

5085



5217

Figure 6-21 Vacuum Modulator (M-43)



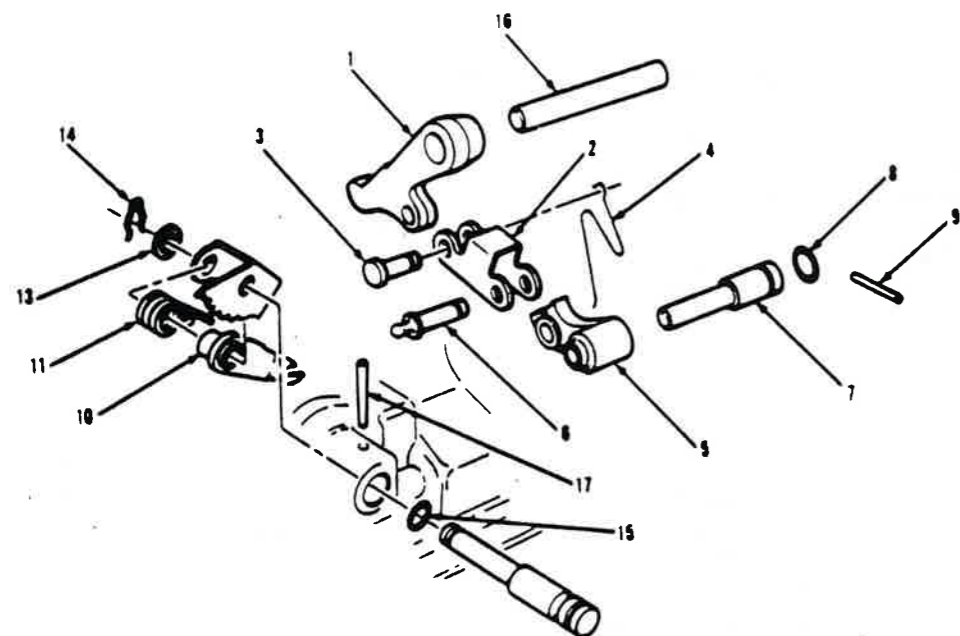
1898A

Figure 6-22 Valve Body and Down-Shift Solenoid (M-43)

AM General Corporation

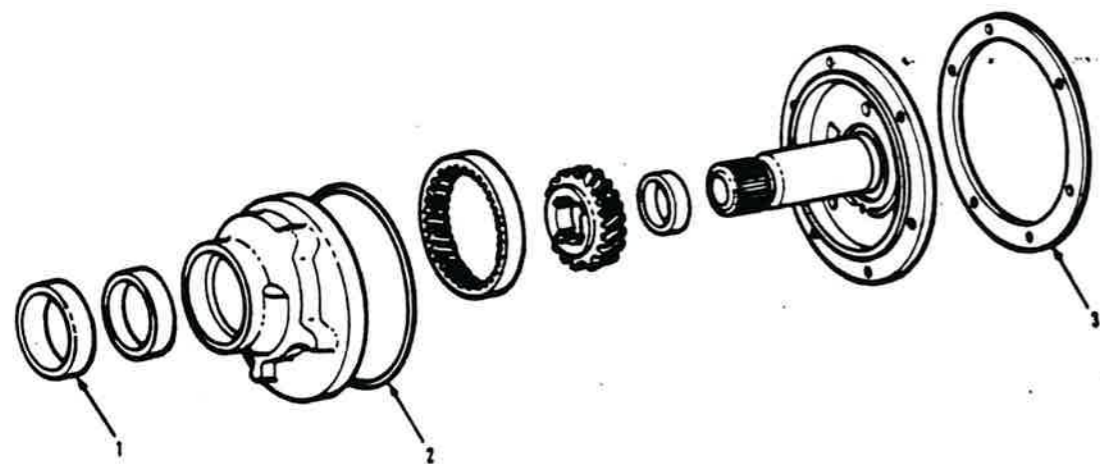
Item	Part Number	Description	Quantity Per Vehicle	
			LHD	RHD
Figure 6-21 VACUUM MODULATOR (M-43)				
1	5950899	Modulator, Vacuum.....	1	1
2	997596	Tube Assy.....	1	1
3	997862	Hose, Vacuum.....	1	1
4	N/S	Connector, Vacuum Tube To Manifold.....	1	1
5	5950844	O-Ring.....	1	1
NI	3185595	Push Rod, Modulator.....	1	1
 Figure 6-22 VALVE BODY AND DOWN-SHIFT SOLENOID (M-43)				
1	3213835	Valve Body Assy.....	1	1
2	3196496	Solenoid.....	1	1
NI	5950898	O-Ring.....	1	1
NI	3150870	Spring, Check Valve, Converter Out.....	1	1
NI	G-147483	Ball, Check, 3/16".....	1	1
NI	8121974	Ball, Check, 1/4".....	1	1
3	3188896	Screen, Oil.....	1	1
4	5950916	Terminal, Down Shift.....	1	1
5	5950943	O-Ring, Down Shift Terminal.....	1	1

AM General Corporation



1899

Figure 6-23 Park/Lock Components (M-43)



1900

Figure 6-24 Oil Pump (M-43)

AM General Corporation

Item	Part Number	Description	Quantity Per Vehicle	
			LHD	RHD
		Figure 6-23 PARK/LOCK COMPONENTS (M-43)		
	5950705	Kit, Park/Lock	1	1
		Consists Of:	1	1
1	3211425	Pawl, Parking Brake	1	1
2	5950843	Link, Park Brake Toggle	1	1
3	5950844	Pin, Park Brake Toggle Link	1	1
4	5950845	Spring, Park Brake Release	1	1
5	5950846	Lever, Park Brake Toggle	1	1
6	5950847	Pin, Toggle	1	1
7	3165029	Pin, Park Lever Anchor	1	1
8	3165006	O-Ring Park Brake Lever Anchor	1	1
9	NI	Pin, Park Brake Anchor Pin Retaining	1	1
10	5950848	Lever, Park Brake Toggle Lift	1	1
11	5950849	Spring, Park Brake Toggle Lift Lever	1	1
12	3164802	Lever, Park Brake Torsion	1	1
13	5950850	Washer, Park Brake Torsion Lever Pin	1	1
14	5950851	Retainer, Park Brake Torsion Lever Pin	1	1
15	3165006	O-Ring, Park Torsion Lever Pin	1	1
16	3165030	Pin, Park Brake Anchor Dowel	1	1
17	G-103565	Pin, Taper	2	2
		Figure 6-24 OIL PUMP (M-43)		
	5950911	Oil Pump Assy.	1	1
	5950706	Kit, Oil Pump Seal & Gasket	1	1
		Consists Of:		
1		Seal	1	1
2		O-Ring, Front	1	1
3		Gasket	1	1
NI		O-Ring, Tube	1	1

AM General Corporation

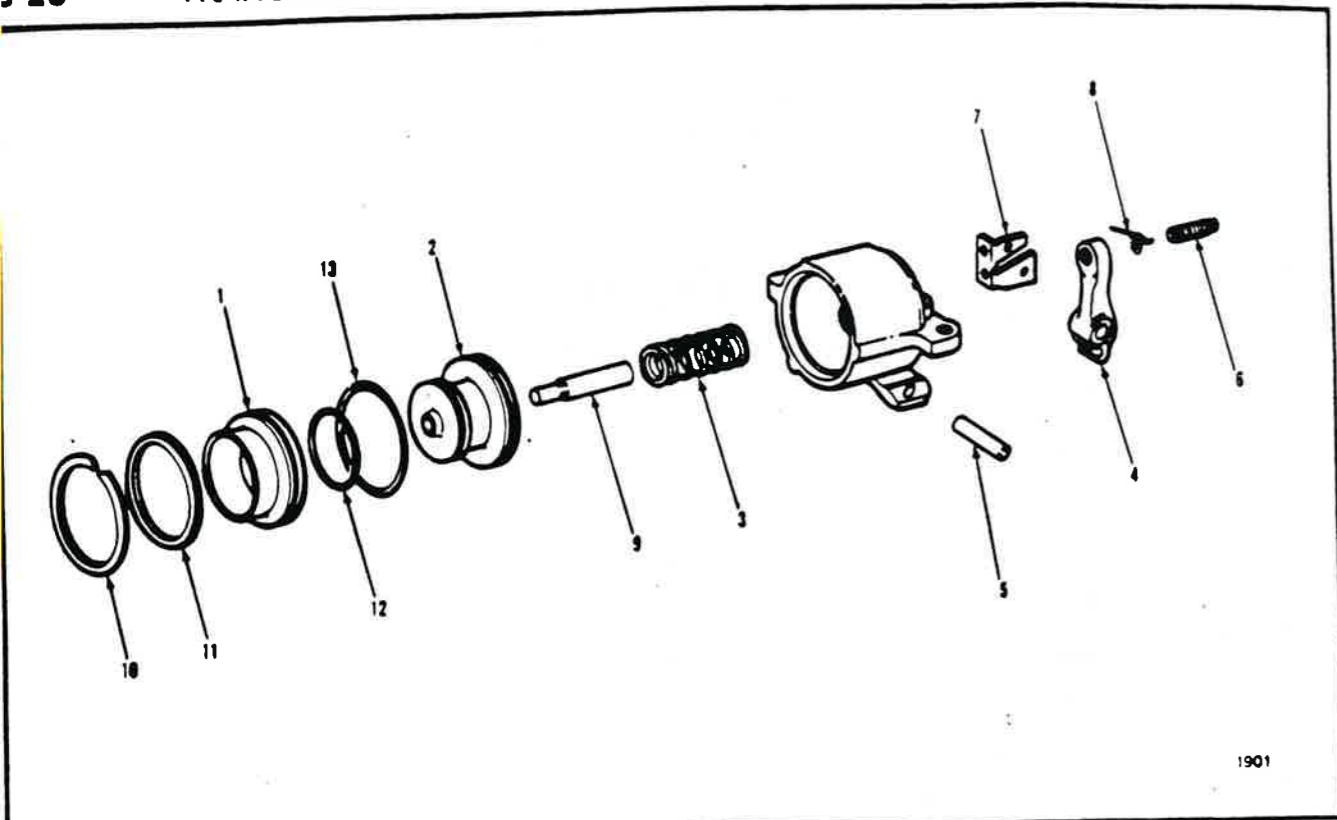


Figure 6-25 Front Servo (M-43)

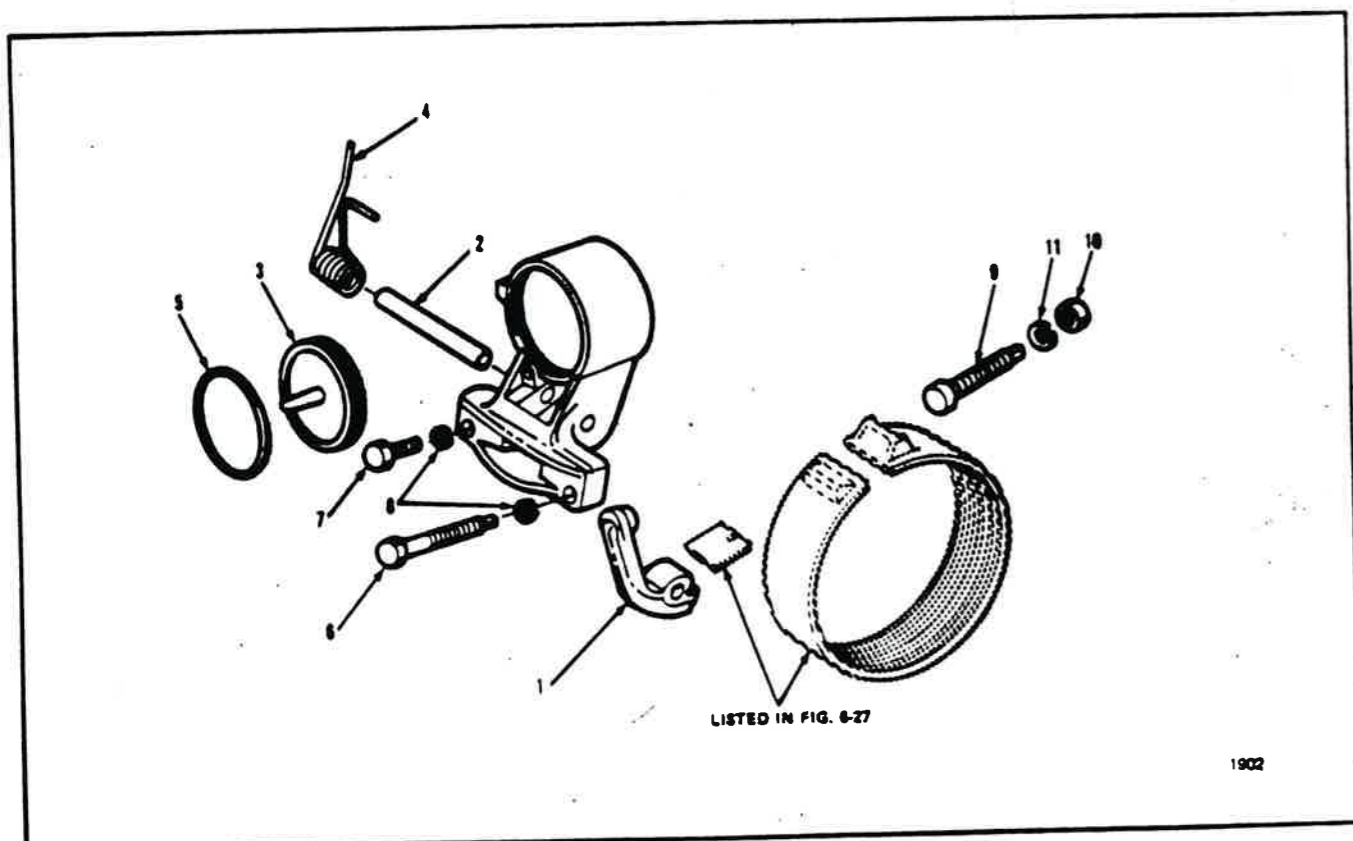


Figure 6-26 Rear Servo (M-43)

AM General Corporation

Item	Part Number	Description	Quantity Per Vehicle	
			LHD	RHD
		Figure 6-25 FRONT SERVO (M-43)		
	3190594	Body, Front Servo.....	1	1
	5950912	Front Servo Assy.....	1	1
	5950707	Kit, Front Servo Piston Repair.....	1	1
		Consists Of:		
1	5950920	Sleeve.....	1	1
2	5950921	Piston.....	1	1
3	5950922	Spring.....	1	1
	5950708	Kit, Front Servo Lever Repair.....	1	1
		Consists Of:		
4	5950923	Lever.....	1	1
5	5950857	Pin, Pivot.....	1	1
6	5950929	Screw, Adjusting.....	1	1
7	5950932	Plate, Adjusting Cam.....	1	1
8	5950926	Spring, Adjusting Screw.....	1	1
9	5950826	Pin, Piston.....	1	1
	5950709	Kit, Front Servo O-Ring Repair.....	1	1
		Consists Of:		
10	5950864	Snap Ring.....	1	1
11	5950936	O-Ring, Sleeve.....	1	1
12	5950934	O-Ring, Piston Front.....	1	1
13	5950933	O-Ring, Piston Rear.....	1	1
		Figure 6-26 REAR SERVO (M-43)		
	5950913	Rear Servo Assy (New).....	1	1
	5997084	Rear Servo Assy (Rebuilt).....	1	1
NI	5950908	Tube, Rear Servo Piston.....	1	1
NI	5950999	Tube, Front Servo Apply.....	1	1
NI	5950910	Tube, Front Servo Release.....	1	1
	5950712	Kit, Rear Servo Repair.....	1	1
		Consists Of:		
1	3164828	Lever.....	1	1
2	3173550	Pin, Pivot.....	1	1
3	3173555	Piston.....	1	1
4	3173554	Spring.....	1	1
5	3165014	O-Ring, Piston.....	1	1
6		Screw, 2".....	1	1
7		Screw, 1-1/2".....	1	1
8		Washer, Flat.....	2	2
9		Screw, Adj.....	1	1
10		Nut, Adj. Screw.....	1	1
11		Washer, Flat, Adj. Screw.....	1	1

AM General Corporation

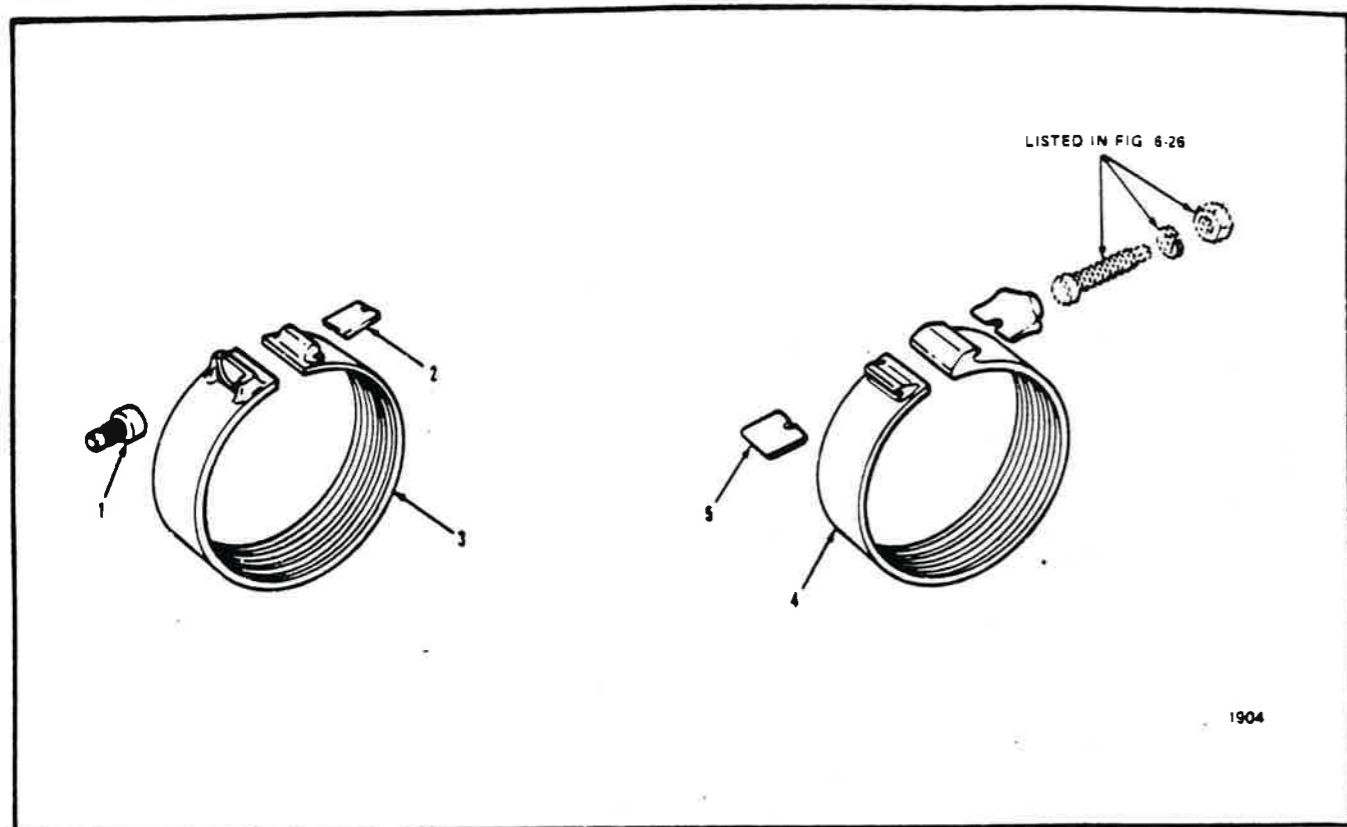


Figure 6-27 Front and Rear Bands (M-43)

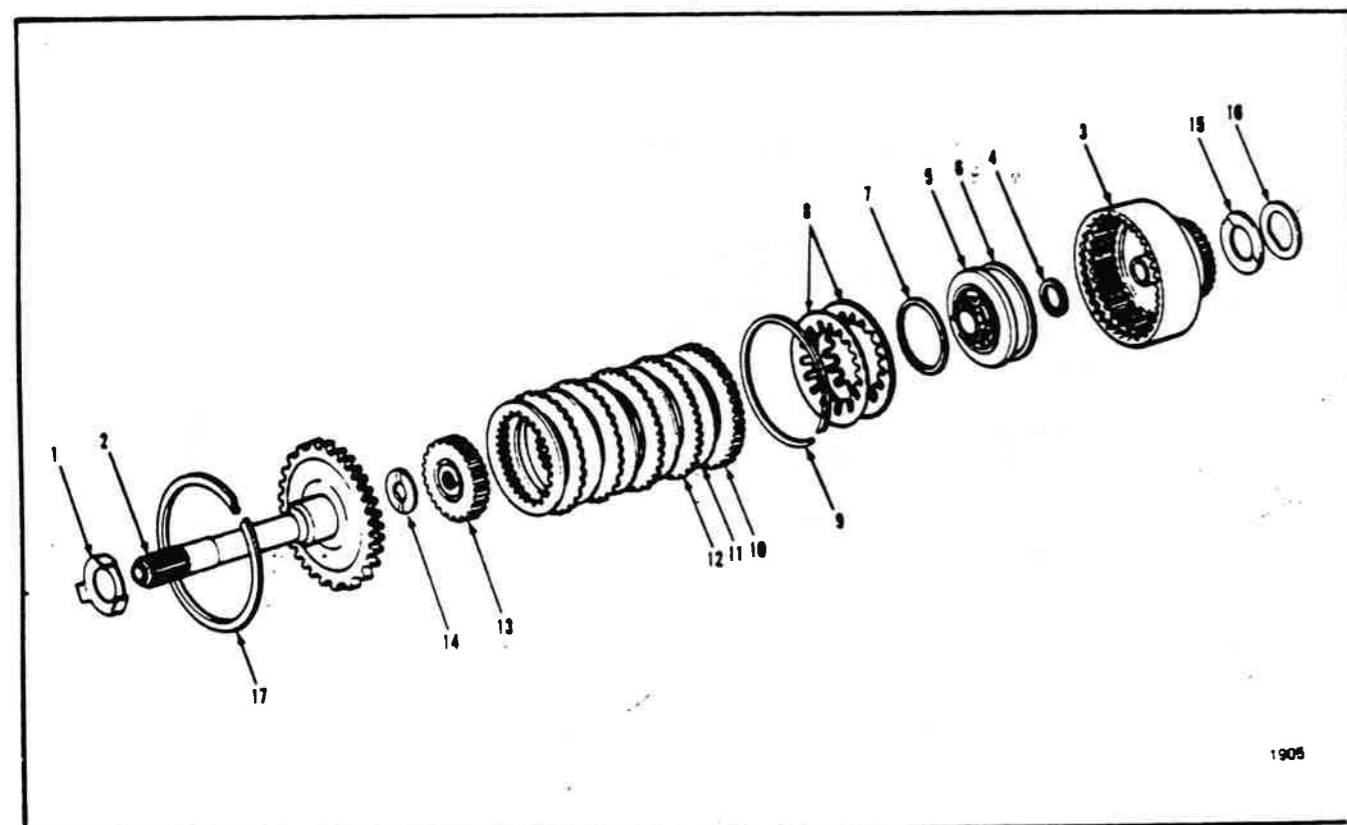
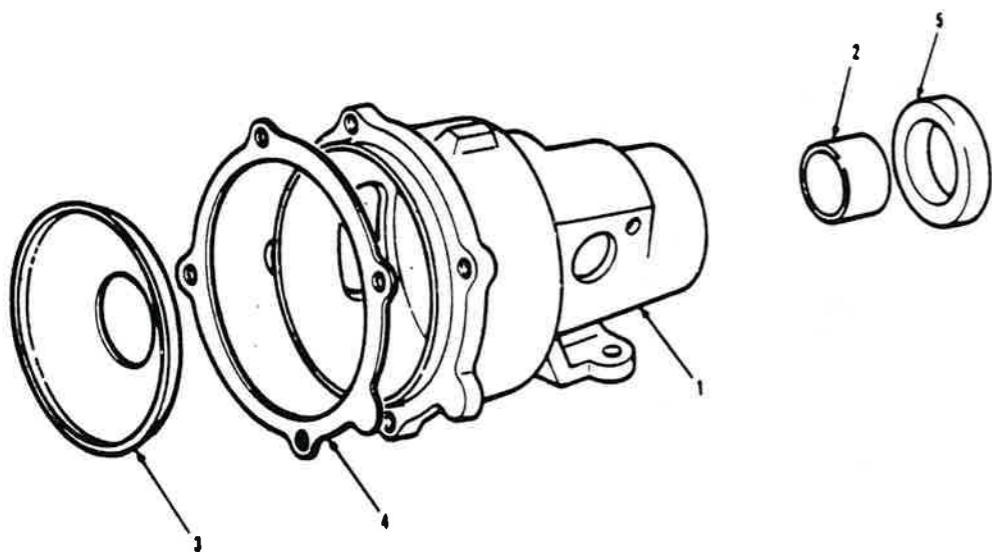


Figure 6-28 Front Clutch (M-43)

AM General Corporation

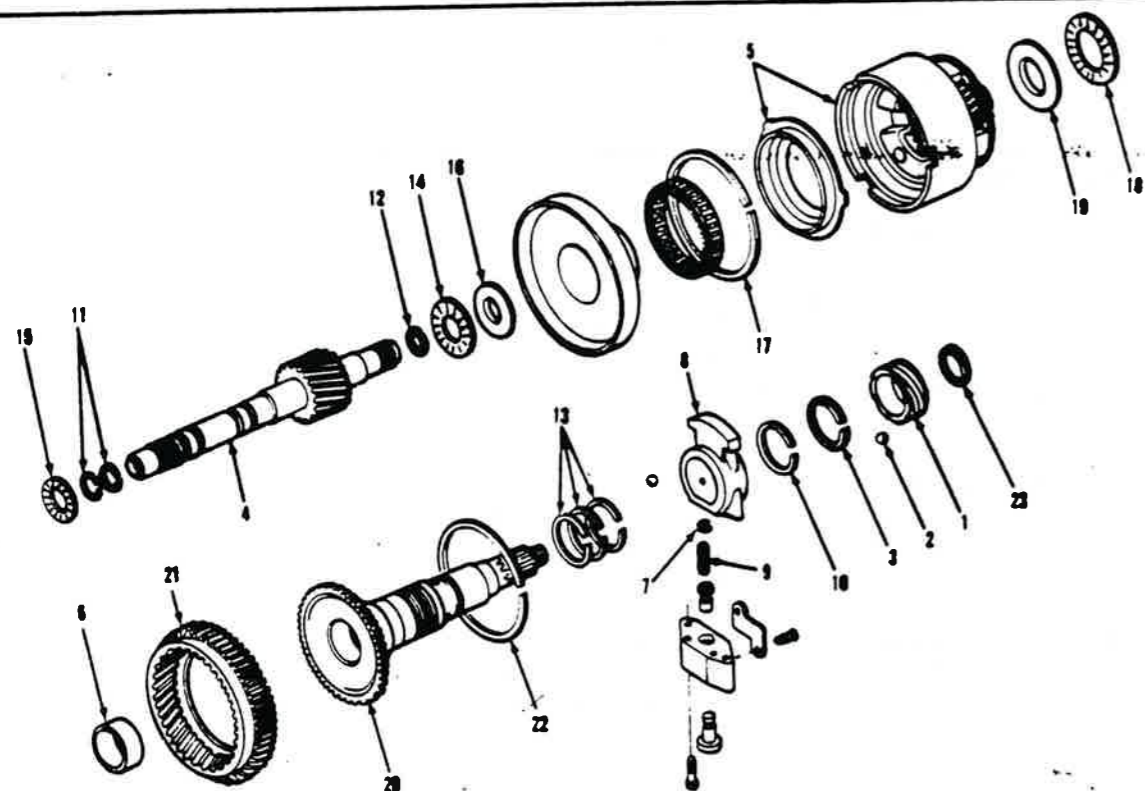
Item	Part Number	Description	Quantity Per Vehicle	
			LHD	RHD
Figure 6-27 FRONT AND REAR BANDS (M-43)				
1	5950885	Pin, Front Brake Band Anchor	1	1
	5950713	Kit, Front Brake Band Repair	1	1
		Consists Of:		
2	3203566	Strut	1	1
3	3210388	Band	1	1
	5950714	Kit, Rear Brake Band Repair	1	1
		Consists Of:		
4	3187096	Band	1	1
5	3203566	Strut	1	1
Figure 6-28 FRONT CLUTCH (M-43)				
1	3165036	Thrust Washer, Input Shaft	1	1
2	4487776	Input Shaft Assembly	1	1
3	5950971*	Cylinder	1	1
4	3198560	O-Ring	1	1
5	3198570	Piston	1	1
6	3165012	O-Ring	1	1
7	3164988	Ring Spring Bearing	1	1
8	5950972*	Spring	2	2
9	3194872	Ring, Snap	1	1
10	5950973*	Plate Pressure	1	1
11	3198571	Plate (Internal Teeth)	5	5
12	5950974*	Plate (External Teeth)	4	4
13	3198584	Hub	1	1
14	3165043	Washer, Thrust	1	1
15	3198547	Washer, Bronze Thrust	1	1
16	3198550	Washer, Plain	1	1
17	3165016	Ring, Snap	1	1
* These part numbers will fit only transmissions which have had components of kit part number 5950970 installed.				
	5950970	Kit, Front Clutch Major Overhaul (Super Belleville Spring Kit)	1	1
		Consists Of Items 3 thru 12 and 17, in Figure 6-28		
		Oil Pump and Oil Pan Gaskets, and Oil Pump Suction Tube O-Ring		
	5950803	Kit, Piston And Cylinder Seal	1	1
		Consists Of:		
4	3198560	O-Ring	1	1
6	3165012	O-Ring	1	1
7	3164988	Ring, Spring Bearing	1	1
	5950805	Kit, Front Hub Repair		
		Consists Of:		
13	3198584	Hub	1	1
14	3165043	Thrust Washer	1	1
15	3198547	Thrust Washer, Bronze	1	1
16	3198550	Washer, Plain	1	1
17	3165016	Ring, Snap	1	1

AM General Corporation



1906

Figure 6-29 Rear Bearing Retainer (Extension Housing) (M-43)



1907

Figure 6-30 Speedometer, Governor, Forward Sun Gear, and Output Shaft (M-43)

AM General Corporation

Item	Part Number	Description	Quantity Per Vehicle	
			LHD	RHD
Figure 6-29 REAR BEARING RETAINER (EXTENSION HOUSING) (M-43)				
1	983691	Rear Bearing Retainer And Bearing Assy	1	1
2	983692	Retainer	1	1
3		Bearing	1	1
		Slinger, Oil, Bearing	1	1
	5950716	Kit, Bearing Retainer Seal And Gasket	1	1
		Consists Of:		
4		Gasket	1	1
5		Oil Seal	1	1
	5950717	Kit, Companion Flange	1	1
		Consists Of:		
NI		Flange, Companion	1	1
NI		Washer	1	1
NI		Nut, Special	1	1
Figure 6-30 SPEEDOMETER, GOVERNOR, FORWARD SUN GEAR AND OUTPUT SHAFT (M-43)				
1	5950734	Gear, Speedometer Drive	1	1
NI	K-740319	Gear, Speedometer Driven	1	1
2	N/S	Retainer, Speedometer Gear	1	1
3	4653E	Ring, Speedometer Gear Snap	1	1
4	3198551	Gear, Sun	1	1
5	3198589	Carrier, Planetary (Incl. Race And Snap Ring)	1	1
6	3205305	Bushing, Output Shaft	1	1
	5950983	Governor Assy (Complete)	1	1
	5950719	Kit, Governor Retainer Repair	1	1
		Consists Of:		
7		Retainer, Governor Spring	1	1
8		Sleeve	1	1
9		Spring	1	1
10		Ring, Snap	1	1
	5950720	Kit, Sun Gear O-Ring	1	1
		Consists Of:		
11	5950887	O-Ring, Sun Gear, Front	2	2
12	3176130	O-Ring, Sun Gear, Rear	1	1
13	3186346	O-Ring, Output Shaft	3	3
	5950721	Kit, Sun Gear Bearing	1	1
14	3188918	Bearing, Needle	1	1
15	3198546	Bearing, Thrust	1	1
16	3174775	Race, Thrust Bearing	1	1
	5950722	Kit, Planet Bearing	1	1
17	3165016	Ring, Snap, Planetary Carrier	1	1
18	3182779	Bearing	1	1

AM General Corporation

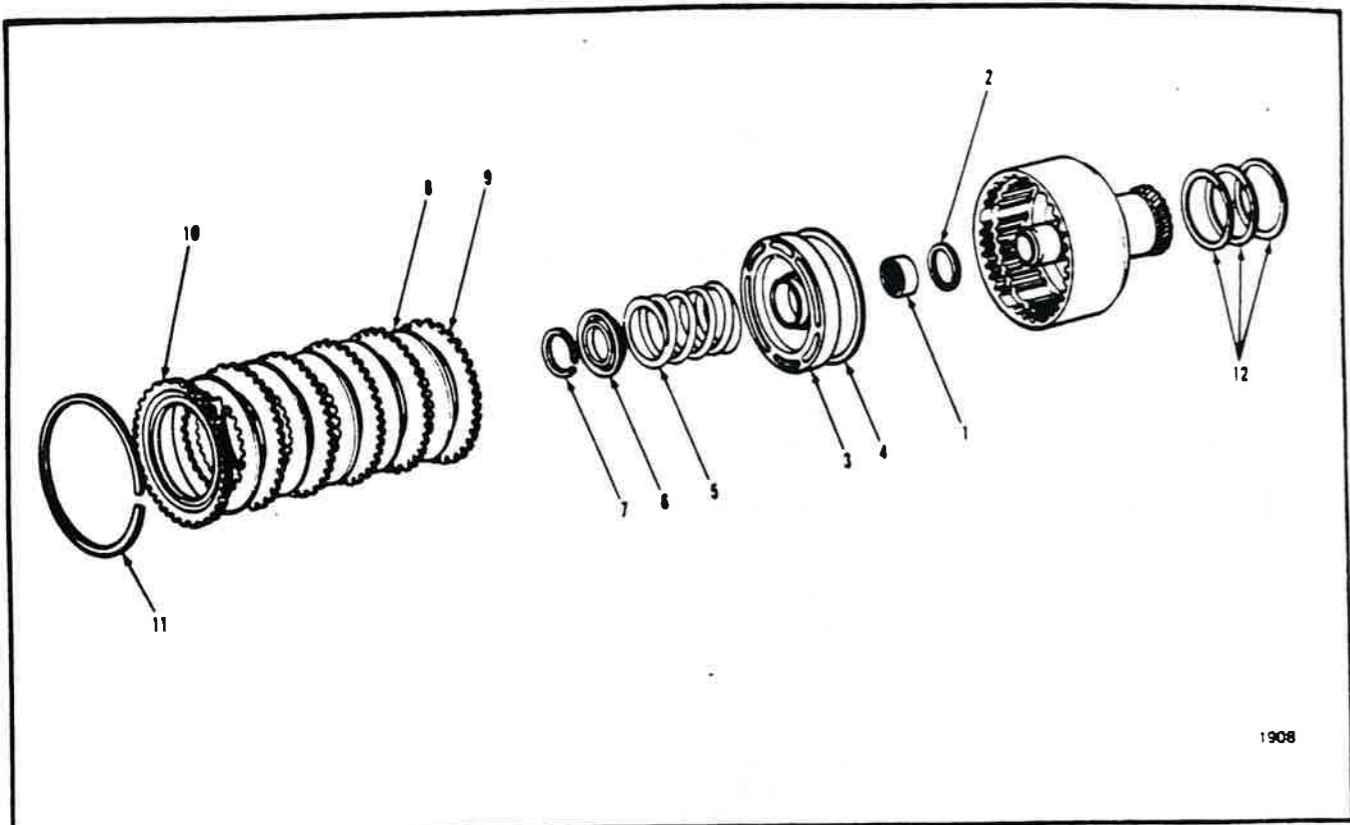


Figure 6-31 Rear Clutch (M-43)

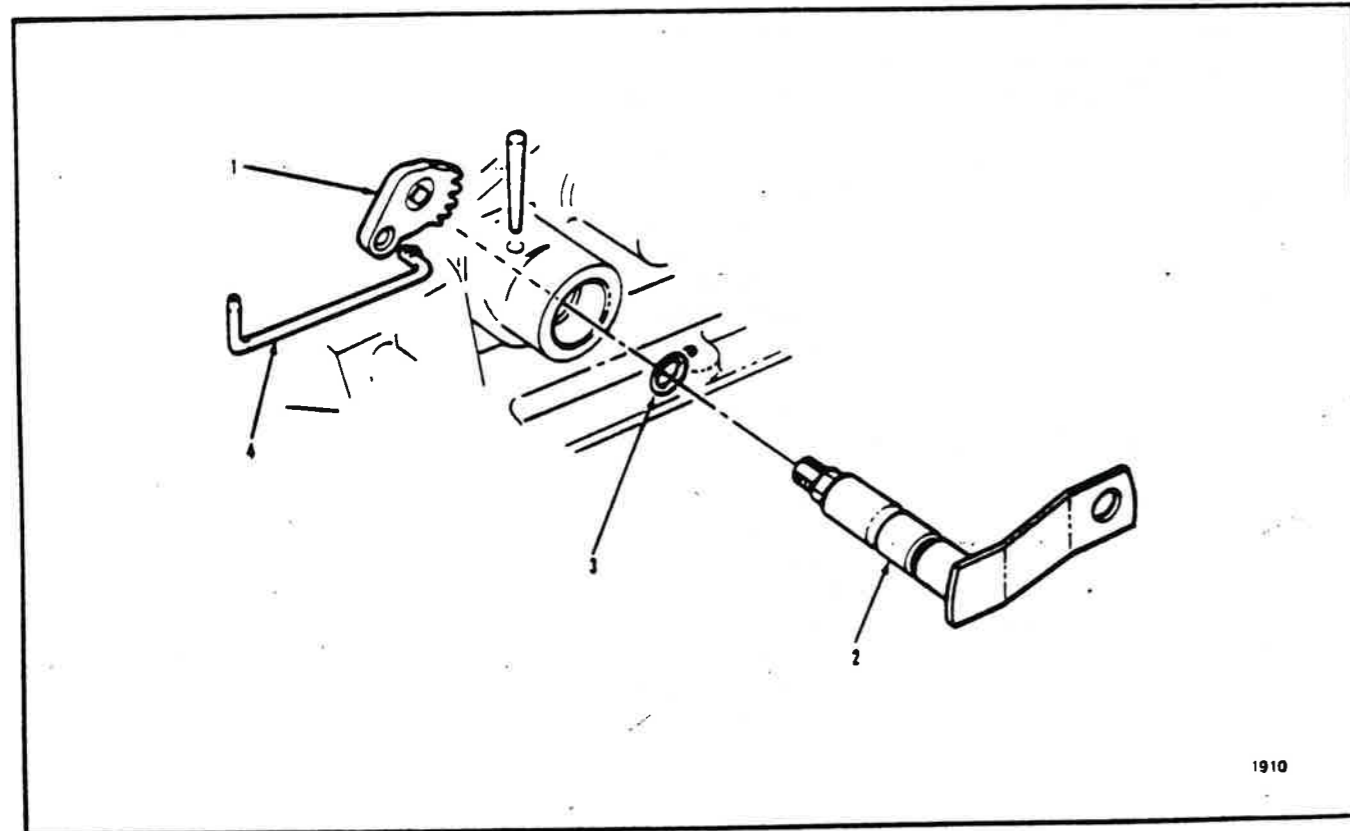


Figure 6-32 Shift Controls - At Transmission (M-43)

AM General Corporation

Item	Part Number	Description	Quantity Per Vehicle	
			LHD	RHD
Figure 6-30 SPEEDOMETER, GOVERNOR, FORWARD SUN GEAR AND OUTPUT SHAFT (M-43) (Cont'd.)				
19	3165044	Thrust Plate	1	1
	5950723	Kit, Output Shaft & Gear	1	1
Consists Of:				
20	5950969	Shaft (Incl. Bushing & Plug)	1	1
21	3211399	Gear, Ring	1	1
22		Ring, Snap, .055" Thick	1	1
22		Ring, Snap, .057" Thick	1	1
22		Ring, Snap, .059" Thick	1	1
23	5950718	Kit, Bearing Spacer	1	1
Consists Of Five Assorted Spacers				
Figure 6-31 REAR CLUTCH (M-43)				
	8120033	Drum, Rear Clutch (Incl. Bearings)	1	1
	5950724	Kit, Rear Clutch Drum Repair	1	1
Consists Of:				
1		Bearing, Needle	1	1
2		O-Ring, Clutch Drum	1	1
3		Piston	1	1
4		O-Ring, Clutch Piston	1	1
5		Spring	1	1
6		Retainer	1	1
7		Ring, Snap	1	1
8	3164863	Plate, Drive	5	5
9	3198571	Plate, Driven	5	5
10	3164803	Plate, Pressure	1	1
11	3165016	Ring, Snap	1	1
12	3186344	O-Ring, Drum Seal	3	3
Figure 6-32 SHIFT CONTROLS - AT TRANSMISSION (M-43)				
	5950728	Kit, Manual Lever Repair	1	1
Consists Of:				
1	3191775	Lever, Manual And Park, Inside	1	1
2	983697	Lever And Shaft, Manual Control	1	1
3	5950943	O-Ring	1	1
4	3191776	Rod, Manual Control	1	1

AM General Corporation

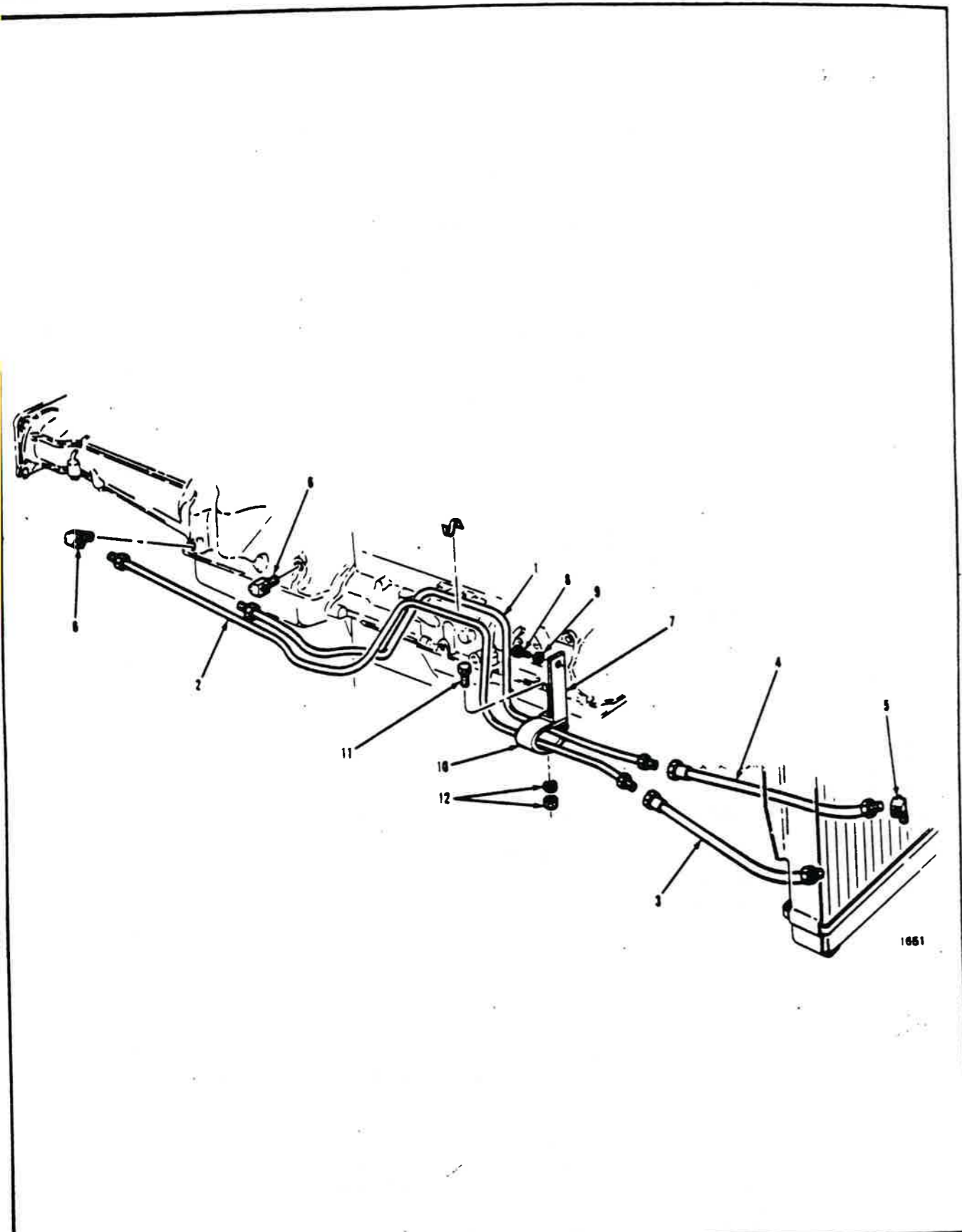


Figure 6-33 Oil Cooler Tubes (M-43)

AM General Corporation

Item	Part Number	Description	Quantity Per Vehicle	
			LHD	RHD
Figure 6-33				
OIL COOLER TUBES (M-43)				
1	3193976	Tube, Trans. To Radiator, Short.....	1	1
2	3193975	Tube, Trans. To Radiator, Long.....	1	1
3	997217	Hose, Tube To Radiator, Short.....	1	1
4	3193870	Hose, Tube To Radiator, Long.....	1	1
5	N/S	Elbow, Short Hose To Radiator.....	1	1
6	N/S	Elbow, Trans. To Cooler Tubes.....	2	2
7	997634	Bracket, Support.....	1	1
8	N/S	Bolt, Bracket To Block.....	1	1
9	N/S	Lockwasher, Bracket To Block Bolt.....	1	1
10	997631	Clamp.....	1	1
11	N/S	Screw, No. 10-24 x 5/8".....	1	1
12	N/S	Nut And Lockwasher, No. 10-24.....	1	1

AM General Corporation

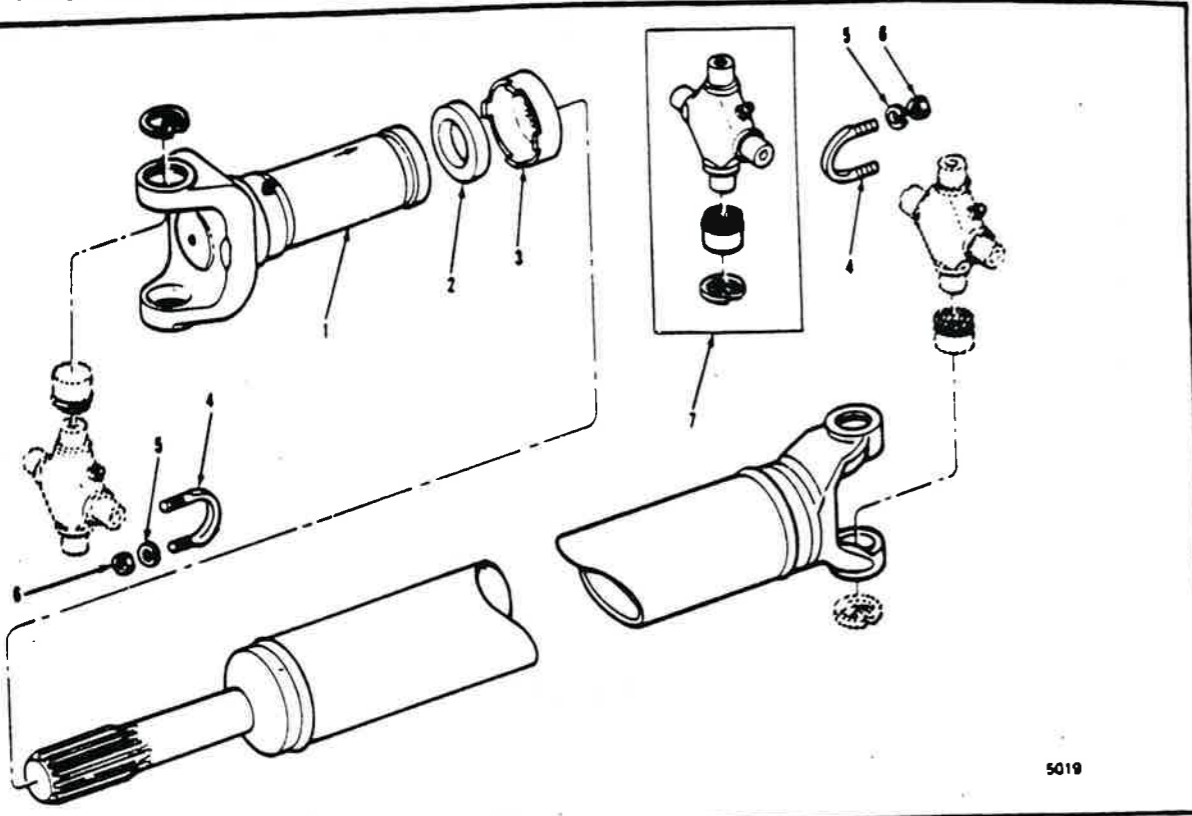


Figure 7-1 Propeller Shaft and Universal Joints (M-11 Trans.)

5019

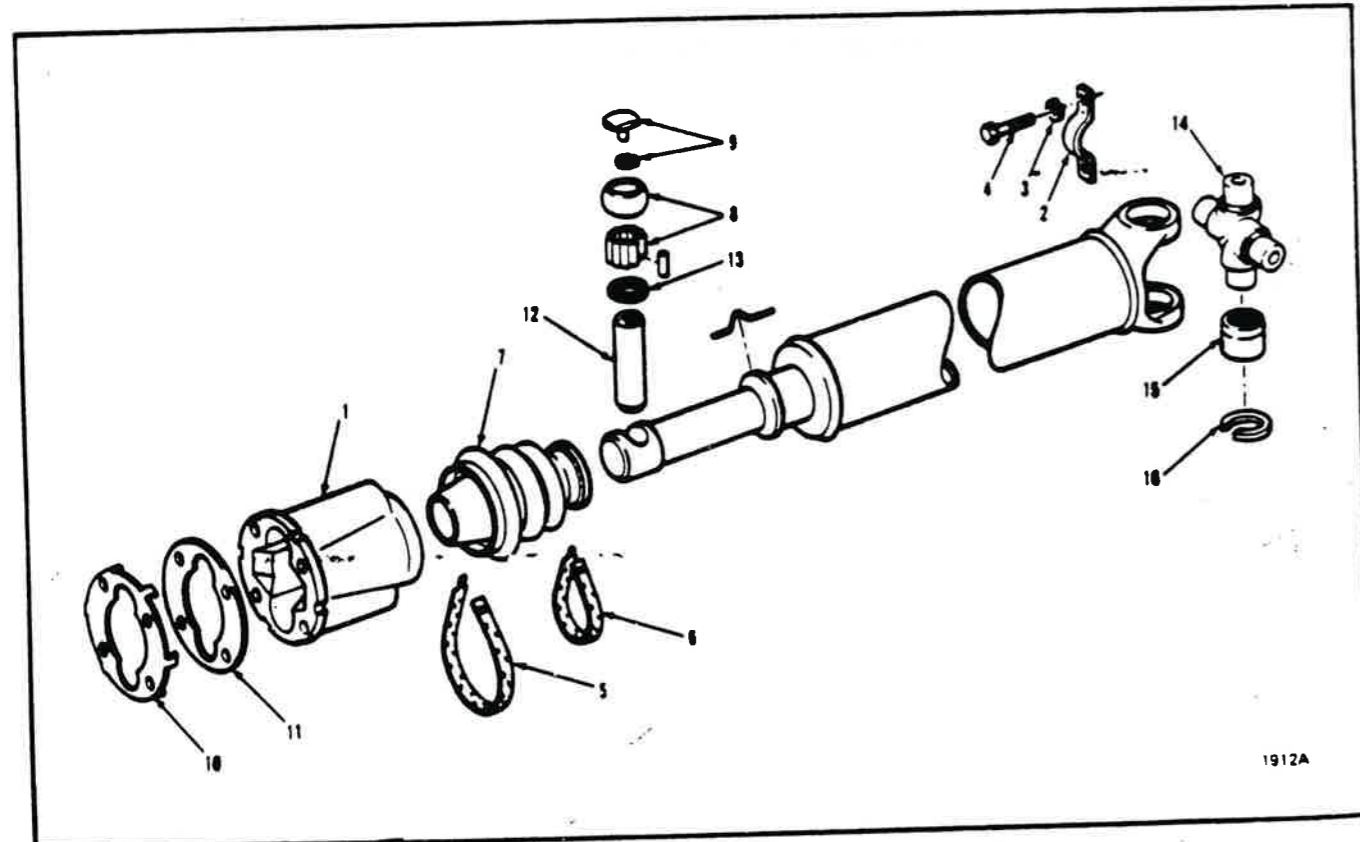


Figure 7-2 Propeller Shaft and Universal Joints (M-43 Trans.)

1912A

Item	Part Number	Description	Quantity Per Vehicle	
			LHD	RHD
Figure 7-1 PROPELLER SHAFT AND UNIVERSAL JOINTS (M-11 TRANS.)				
	5962550	Propeller Shaft Assy.	1	1
1	5950949	Yoke, Sleeve	1	1
2	5950951	Washer, Rubber	1	1
3	5950950	Cap, Dust	1	1
4	A490	U-Bolt	4	4
5	N/S	Lockwasher	8	8
6	N/S	Nut	8	8
7	5950894	Kit, Universal Joint	2	2
		Consists of:		
		Journal Assy.	1	1
		Race, Bearing Assy	4	4
		Snap Ring	4	4
Figure 7-2 PROPELLER SHAFT AND UNIVERSAL JOINTS (M-43 TRANS.)				
	997843	Propeller Shaft (Used only with Model M-43 transmission)	1	1
1	940794	Housing, Universal Joint, Front	1	1
2		Clamp, Bearing	2	2
3	N/S	Bolt (1/4"-5/8")	4	4
4	N/S	Lockwasher (1/4")	4	4
	940800	Kit, Front Universal Joint	1	1
		Consists Of:		
5	940795	Clamp, Large	1	1
6	940796	Clamp, Small	1	1
7		Dust Cover (Boot)	1	1
8		Bearing Assemblies	2	2
9		Button and Spring Assemblies	2	2
10	940793	Grease Cover	1	1
11	8123247	Gasket	1	1
12		Trunnion Pin	1	1
13		Thrust Washers	1	1
	940801	Kit, Dust Cover and Clamps	1	1
		Consists Of:		
5	940795	Clamp Large	1	1
6	940796	Clamp Small	1	1
7		Dust Cover (Boot)	1	1
	940802	Kit, Cross and Bearing - Rear	1	1
		Consists Of:		
14		Cross	1	1
15		Bearings	4	4
16		Bearing Retainers	4	4

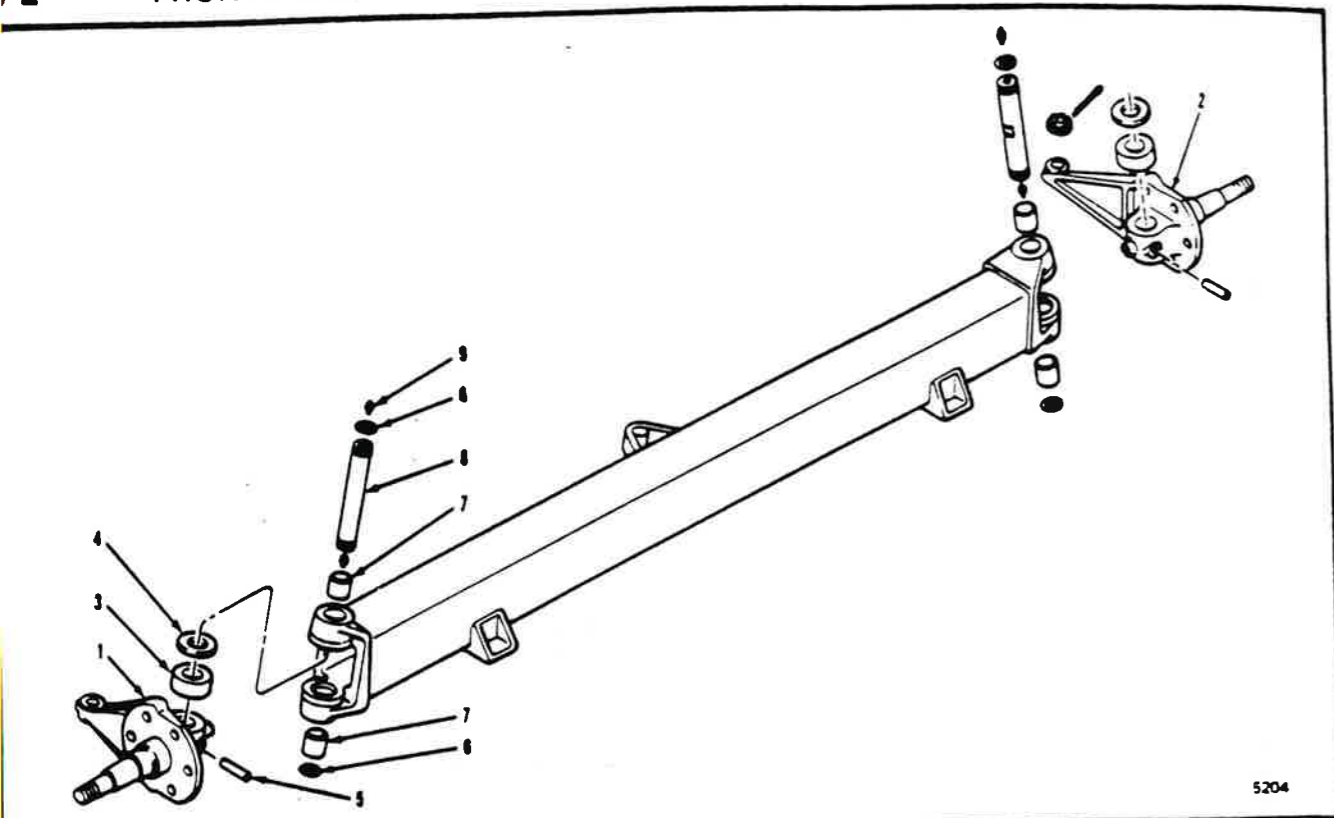


Figure 8-1 Front Axle

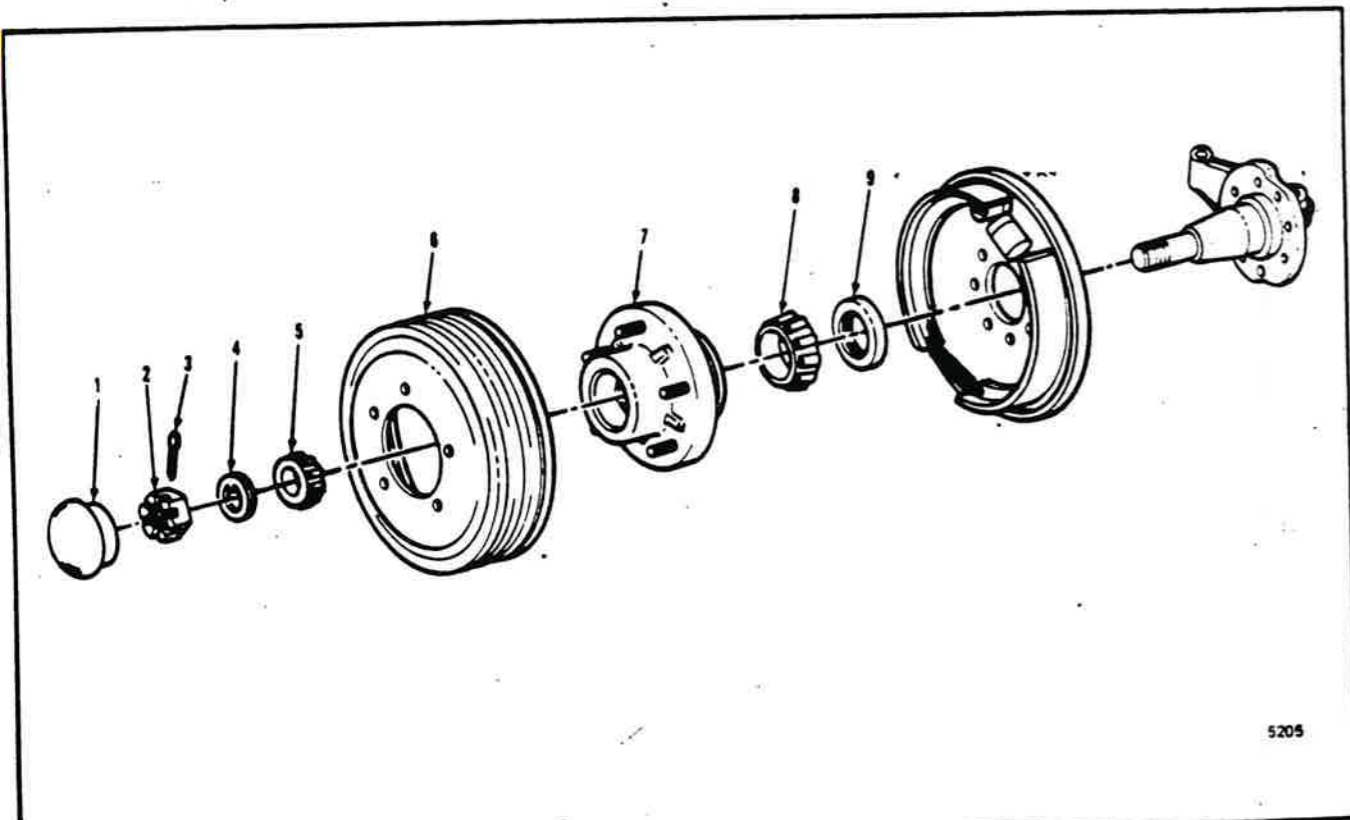


Figure 8-2 Front Wheel Hub, Drum and Bearings

AM General Corporation

Item	Part Number	Description	Quantity Per Vehicle	
			LHD	RHD
Figure 8-1 FRONT AXLE				
1	5950745	Front Axle Assembly (less tie rod, hubs, brushes and drums)	1	1
2	5950814	Knuckle and Brake Flange, Left	1	1
	5950813	Knuckle and Brake Flange, Right	1	1
	5950673	Kit, Steering Knuckle (For one end of Axle)	2	2
Consists Of:				
3		Bearing, Steering Knuckle Thrust	1	1
4		Shim, Thrust Bearing (.003")	3	3
		Shim, Thrust Bearing (.010")	2	2
5		Draw Key, Light	1	1
		Draw Key, Heavy	1	1
6		O-Ring, Knuckle Pin	2	2
7		Bushing, Axle End	2	2
8		Pin, Knuckle, Steering	1	1
9		Fitting, Lubrication	2	2
Figure 8-2 FRONT WHEEL HUB, DRUM AND BEARINGS				
1	5900592	Cover, Wheel Hub	2	2
2	N/S	Nut, Wheel Bearing	2	2
3	N/S	Pin, Cotter	2	2
4	5900677	Washer, Spindle	2	2
5	5900571	Cone, Front Wheel Bearing, Outer	2	2
6	990830	Brake Drum Assy	2	2
7	5900512	Hub and Stud Assy, Front	2	2
8	5900572	Cone, Front Wheel Bearing, Inner	2	2
9	5900570	Seal, Oil, Front Hub	2	2

AM General Corporation

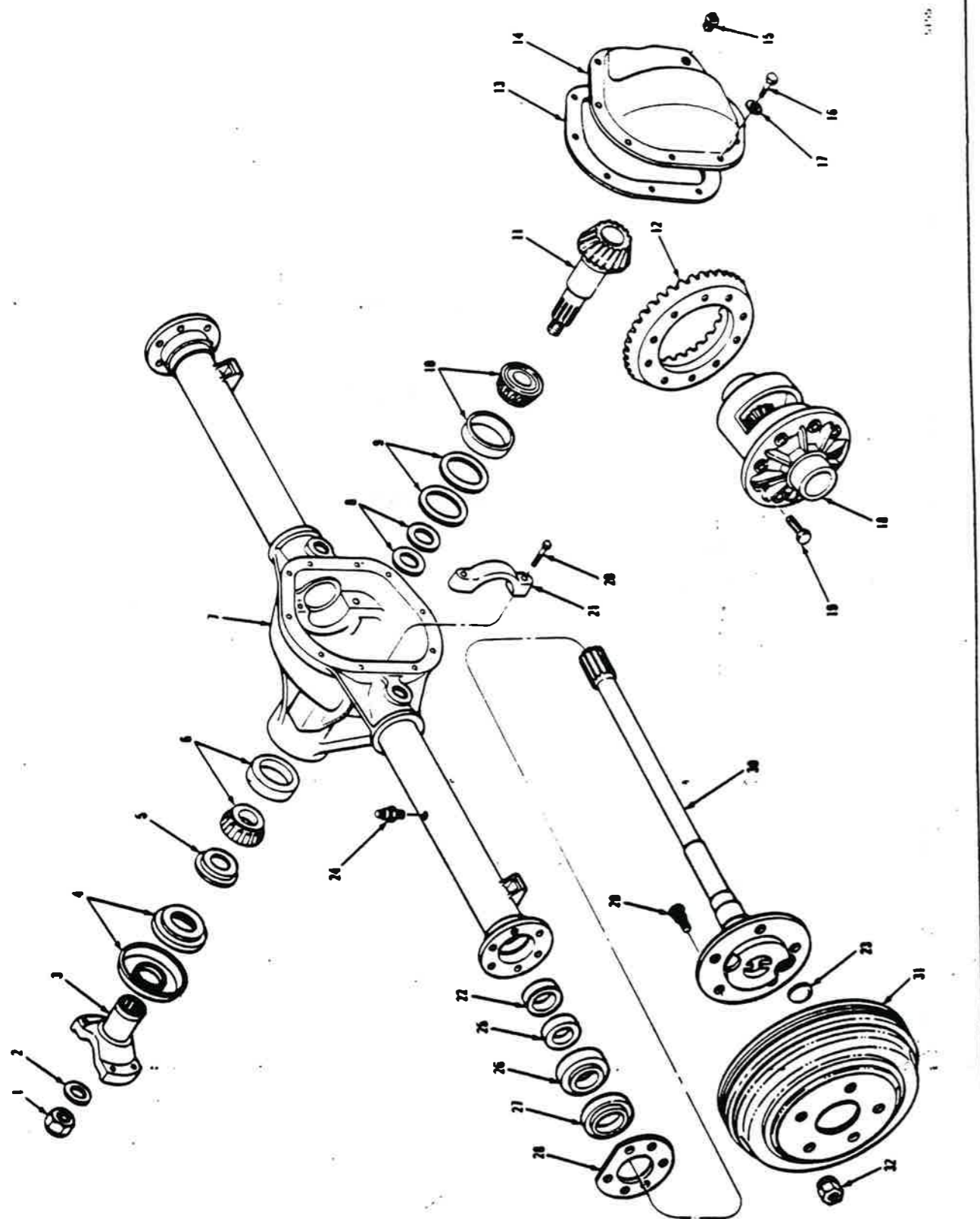
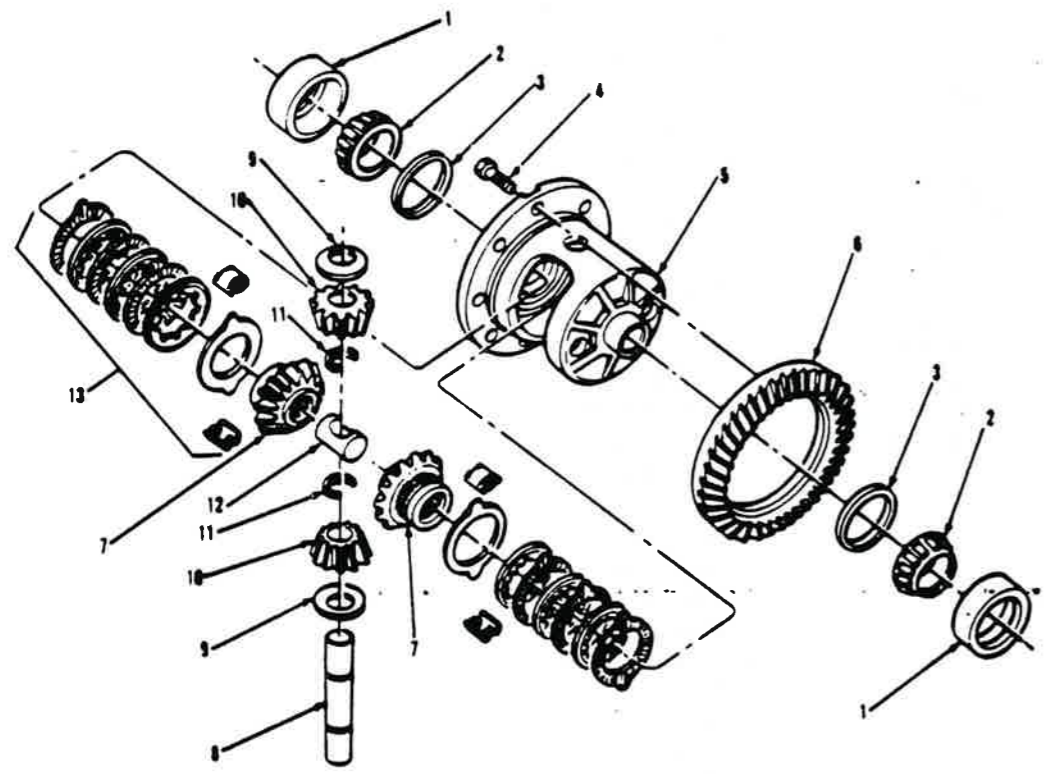


Figure 9-1 Rear Axle

AM General Corporation

Item	Part Number	Description	Quantity Per Vehicle	
			LHO	RHD
		Figure 9-1 REAR AXLE		
	5950729	Axle, Rear (Less Brakes, Drums and Shafts)	1	1
1	801367	Nut, Pinion	1	1
2	636570	Washer, Pinion Nut	1	1
3	983553	Yoke, Prop Shaft Connecting	1	1
4	998092	Seal, Drive Pinion	1	1
5	908301	Slinger, Oil Drive Pinion	1	1
6	52878	Bearing, Outer Pinion	1	1
	52879	Cup, Bearing, Outer Pinion	1	1
7	N/S	Axle, Rear, Tube & Housing	1	1
8	See Kit	Shims, Pinion & Bearing Adjusting	AR	AR
9	See Kit	Shims, Differential & Pinion	AR	AR
10	807266	Bearing, Inner Pinion	1	1
	52877	Cup, Bearing, Inner Pinion	1	1
11	See Kit	Pinion, Drive	1	1
12	See Kit	Gear, Ring	1	1
13	936180	Gasket, Carrier Cover	1	1
14	936181	Cover, Gear Carrier	1	1
15	G-103869	Plug, Pipe, Square Head	1	1
16	994242	Bolt, Carrier Cover	1	1
	991546	Bolt, Carrier Cover	9	9
17	936608	Washer, Carrier Cover Bolt	2	2
18	994341	Case, Differential	1	1
19	649454	Bolt, Drive Gear	10	10
20		Capscrew	4	4
21		Cap, Bearing	2	2
22	994258	Seal, Oil	2	2
23		Plug, Expansion	1	1
24	A870	Breather	1	1
25	994263	Ring, Rear Wheel Bearing Retainer	2	2
26	994262	Bearing, Axle	2	2
27	994261	Seal, Oil	2	2
28	994260	Retainer, Oil Seal	2	2
29	994257	Bolt, Wheel	10	10
30	5950730	Shaft, Axle, Right	1	1
	5950731	Shaft, Axle, Left	1	1
31	994306	Drum, Brake, Rear	2	2
32	See Fig. 11-8	Nut, Wheel Stud		
	5950733	Kit, Drive Pinion & Gear Assy	1	1
		Gear, Ring	1	1
		Pinion	1	1
		Nut	1	1
	806483	Kit, Differential Adjusting Shim	1	1
	908301	Slinger, Oil Drive Pinion	1	1
	998092	Seal, Drive Pinion	1	1
	949228	Kit, Shim, Axle Drive Pinion	1	1

AM General Corporation



5114

Figure 9-2 Differential

AM General Corporation

Item	Part Number	Description	Quantity Per Vehicle	
			LHD	RHD
		Figure 9-2 DIFFERENTIAL		
		Differential Assy	1	1
1	52980	Cup, Bearing	2	2
2	805311	Bearing, Differential	2	2
3		Shims, Differential Bearing	AR	AR
4		Bolt, Ring Gear	10	10
5	994341	Case, Differential	1	1
6		Gear, Ring	1	1
7		Pinion, Differential	2	2
8		Shaft, Differential	1	1
9		Washer, Thrust, Gear	2	2
10		Gear, Differential	2	2
11		Ring, Snap	2	2
12		Block	1	1
13		Disc and Plates	1	1
	994344	Kit, Differential Parts	1	1
		Pinion, Differential	2	2
		Gear, Differential	2	2
		Thrust Washers, Pinion	2	2
		Shaft	1	1
		Ring, Snap	2	2
	994345	Kit, Disc & Plate	1	1
	649454	Bolt, Drive Gear	10	10
	936180	Gasket, Carrier Cover	1	1

AM General Corporation

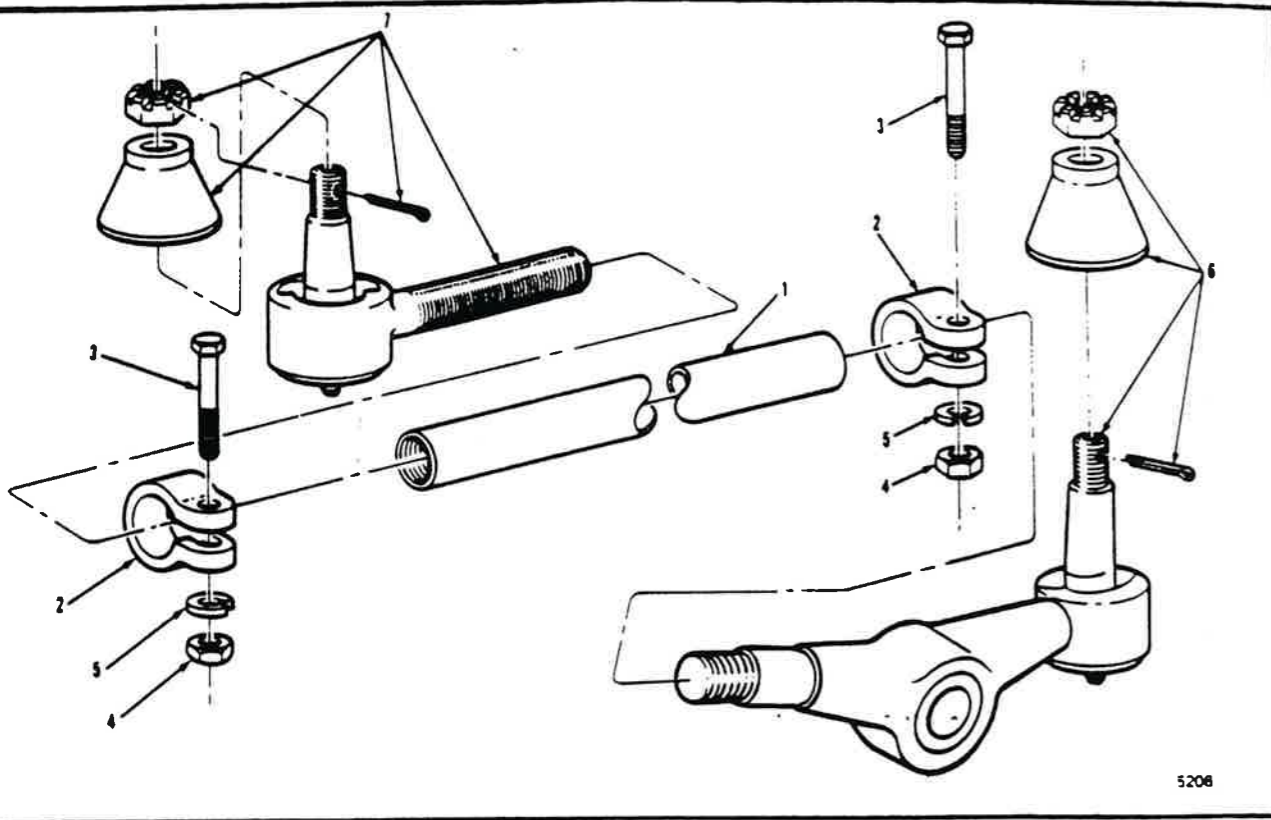


Figure 10-1 Tie Rod

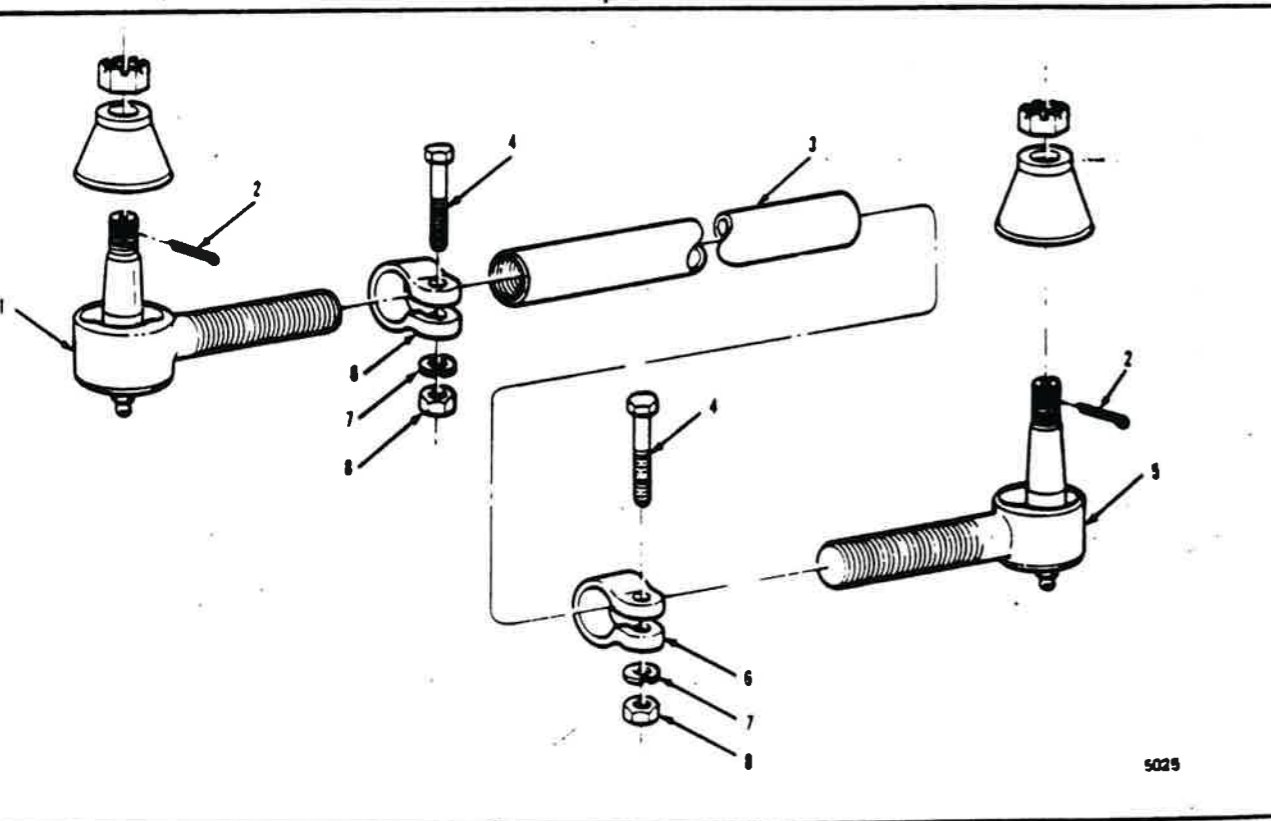


Figure 10-2 Drag Link

AM General Corporation

Item	Part Number	Description	Quantity Per Vehicle	
			LHD	RHD
		Figure 10-1 TIE ROD		
	5950685	Tie Rod Assy. Complete	1	1
	5950740	Kit. Tie Rod Tube	1	1
		Consists Of:		
1		Tube	1	1
2		Clamp	2	2
3		Bolt	2	2
4		Nut	2	2
5		Lockwasher	2	2
6	5950744	Kit. Tie Rod End (R.H. Threads)	1	1
		Consists Of:		
		Tie Rod End	1	1
		Dust Cover	1	1
		Nut	1	1
		Cotter Pin	1	1
7	5950691	Kit. Tie Rod End (L.H. Threads)	1	1
		Consists Of:		
		Tie Rod End	1	1
		Dust Cover	1	1
		Cotter Pin	1	1
		Figure 10-2 DRAG LINK		
1		Socket Assy - Right	1	1
2		Pin, Cotter	2	2
3		Tube	1	1
4		Bolt	2	2
5		Socket Assy - Left	1	1
6		Clamp	2	2
7		Lockwasher	2	2
8		Nut	2	2
	990933	Kit. Socket, Tube End, Left Hand Threads	1	1
		Socket Assy	1	1
		Pin, Cotter	1	1
		Fitting, Lube	1	1
	990934	Kit. Socket, Tube End, Right Hand Threads	1	1
		Socket Assy	1	1
		Pin, Cotter	1	1
		Fitting, Lube	1	1
	990940	Kit. Drag Link Tube	1	1
		Tube	1	1
		Clamp	2	2
		Bolt	2	2
	G-181646 G-120382 or G-9419871 G-120369	Lockwasher	2	2
		Nut	2	2

AM General Corporation

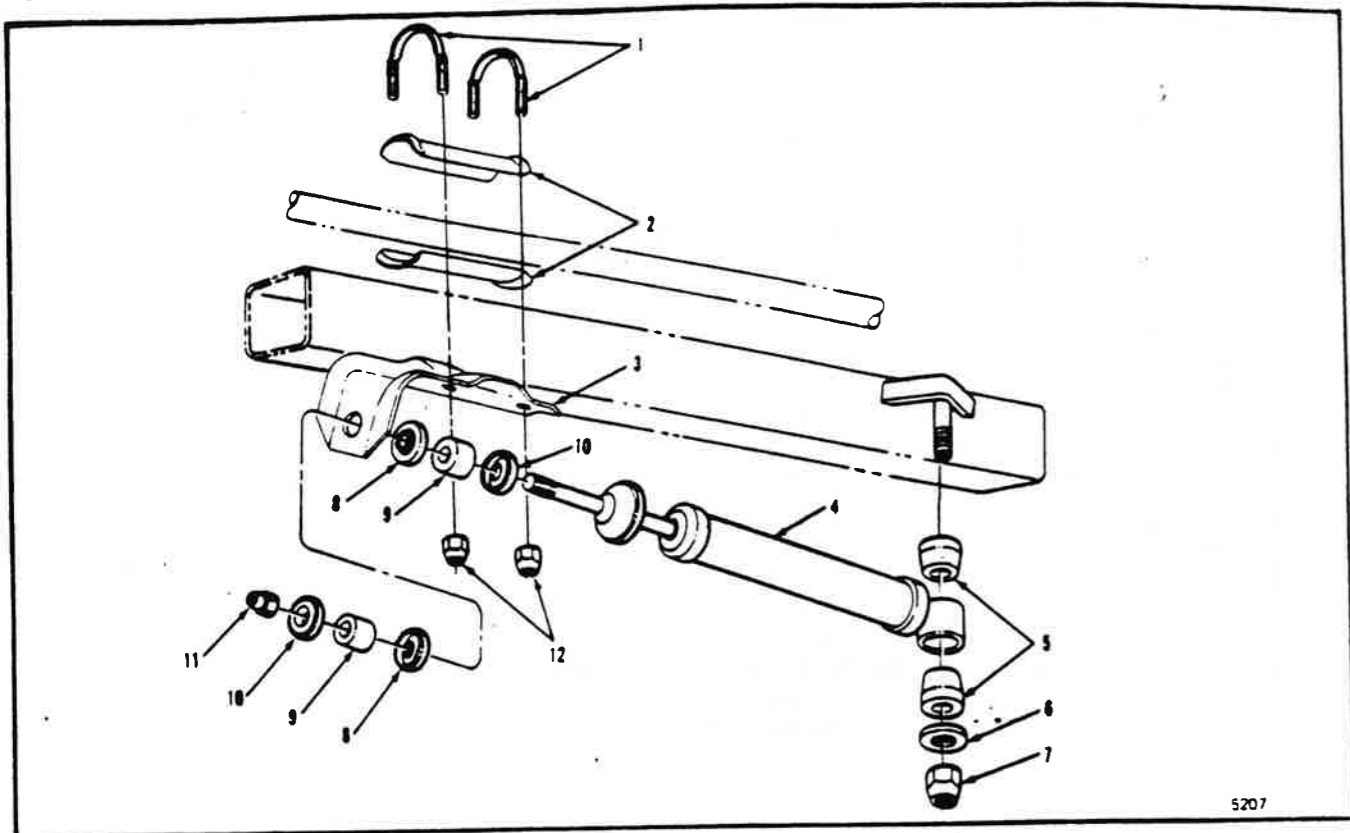


Figure 10-3 Steering Damper

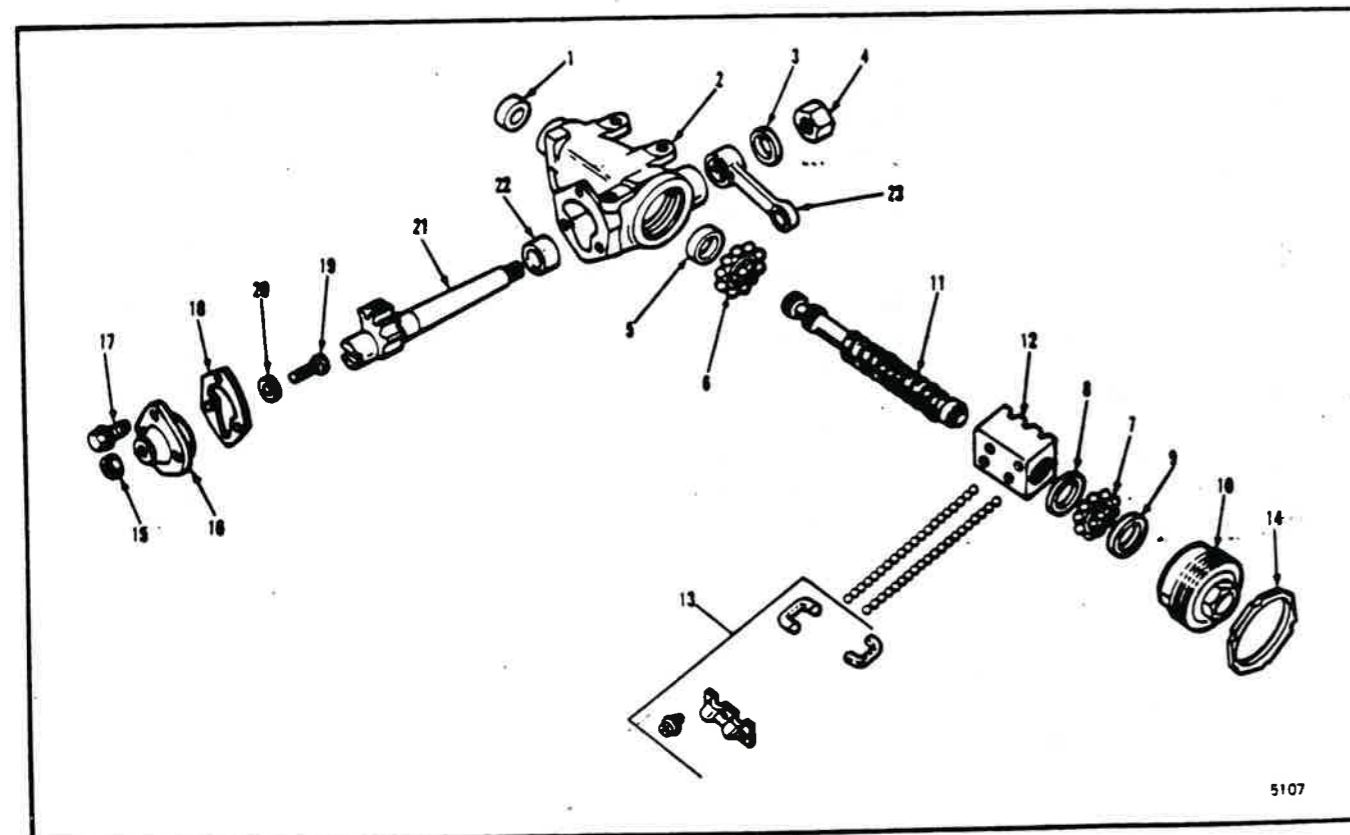


Figure 10-4 Steering Gear-LHD-Saginaw

AM General Corporation

Item	Part Number	Description	Quantity Per Vehicle	
			LHD	RHD
Figure 10-3 STEERING DAMPER				
1	990919	U-Bolt.....	2	2
2	997837	Spacer.....	2	2
3	992045	Bracket, Steering Damper To Rod.....	1	1
	990935	Kit, Steering Damper.....	1	1
4	N/S	Damper, Steering.....	1	1
5	637936	Bushing.....	2	2
6	N/S	Washer, Flat.....	1	1
7	N/S	Lock Nut.....	1	1
8	N/S	Washer, Cushion Guide.....	2	2
9	802143	Cushion, Rubber.....	2	2
10	N/S	Retainer, Cushion.....	2	2
11	N/S	Lock Nut.....	1	1
12	N/S	Lock Nut.....	4	4
Figure 10-4 STEERING GEAR-LHD-SAGINAW				
	990236	Gear Assembly, Steering, Complete.....	1	
1	996350	Seal, Steering Shaft.....	1	
2	940512	Housing.....	1	
3	990999	Seal, Grease, Pitman Shaft.....	1	
4	940523	Nut, Pitman Arm.....	1	
5	940515	Race, Thrust Bearing.....	1	
6	940529	Bearing, Thrust.....	1	
	940530	Adjuster Assembly, Worm Bearing.....	1	
7	940529	Bearing Assembly.....	1	
8	940532	Retainer, Lower Bearing.....	1	
9	940515	Race.....	1	
10		Adjuster, Worm Thrust Bearing.....	1	
	990959	Worm Assembly, Steering.....	1	
11		Worm Assembly.....	1	
12		Nut, Ball.....	1	
13	940534	Kit, Clamp, Ball Return Guide.....	1	
14	940517	Nut, Worm Bearing Adjuster Lock.....	1	
15		Nut, Lash.....	1	
	996351	Kit, Service, Side Cover.....	1	
16		Cover, Side.....	1	
17		Screw, Side Cover Attaching.....	3	
18		Gasket, Side Cover.....	1	
19	990817	Adjuster, Lash.....	1	
20	94052	Kit, Shim, Lash Adjuster.....	1	
21	5900720	Gear, Pitman Shaft.....	1	
22	940513	Bushing, Pitman Shaft.....	1	
	997492	Bracket, Steering Gear Mounting.....	1	
	997489	Plate, Steering Gear Bracket Mounting.....	1	
23	5965094	Arm, Steering (Pitman).....	1	
NI	5950816	Flange Coupling.....	1	

AM General Corporation

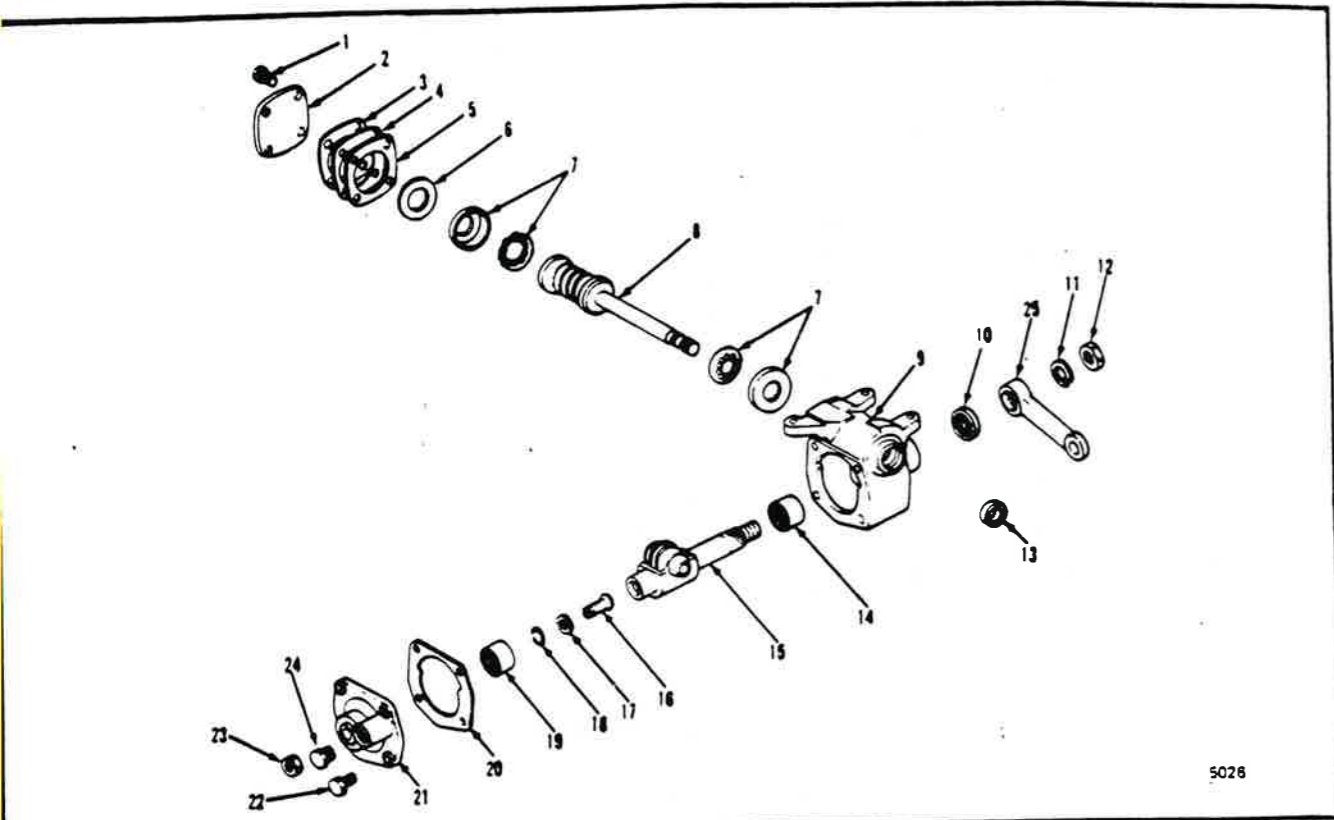


Figure 10-5 Steering Gear-RHD-Ross

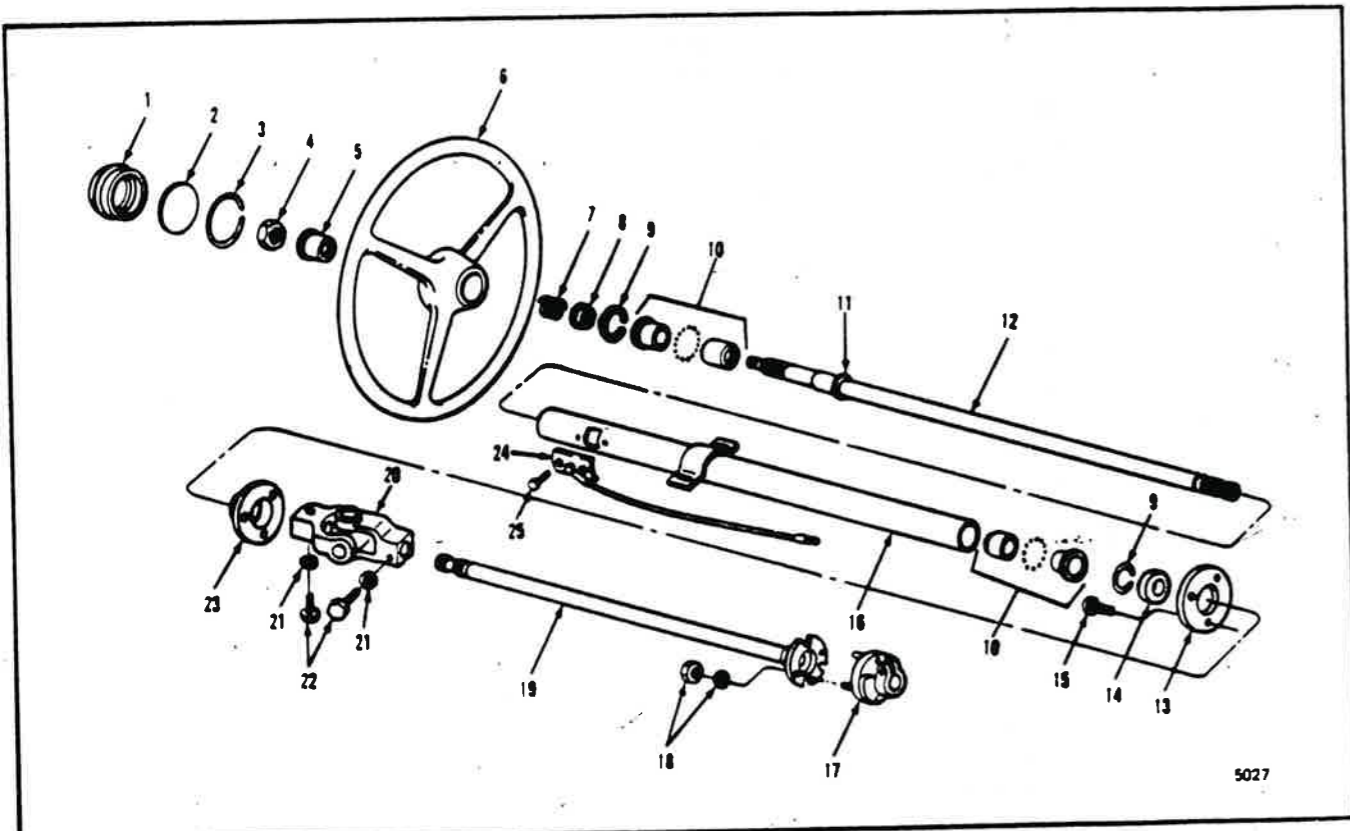


Figure 10-6 Steering Column and Shafts

AM General Corporation

Item	Part Number	Description	Quantity Per Vehicle	
			LHD	RHD
Figure 10-5 STEERING GEAR-RHD-ROSS				
		Steering Gear Assy.		1
1	940922	Screw		4
2	N/S	Cover		1
3	940548	Shim (.010")		5
4	941534	Shim (.002")		2
5	940549	Shim (.005")		1
6	940550	Spacer		1
7	940559	Kit, Ball and Cage Assy.		1
8	5950897	Column and Worm		1
9	941406	Housing		1
10	N/S	Seal, Shaft		1
11	940555	Lockwasher		1
12	940558	Nut		1
13	940557	Seal, Column		1
14	940556	Bearing		1
15	940538	Bearing		1
16	941405	Shaft		1
17	940545	Screw		1
18	940543	Washer		1
19	940544	Ring, Snap		1
20	931710	Bearing		1
21	940554	Gasket		1
22	940540	Cover Assy.		1
23	N/S	Screw		4
24	940546	Nut		1
25	5950749	Plug, Vent. Filler.		1
	997493	Bracket, Steer. Gear Mounting		1
	997489	Plate, Steer. Gear Bracket Mounting		1
	5965094	Steering Arm		1
Figure 10-6 STEERING COLUMN AND SHAFTS				
1	990413	Cap, Horn Button	1	1
2	930673	Disc, Contact	1	1
3	927414	Spring, Retainer	1	1
4	639101	Nut	1	1
5	927413	Cup, Contact	1	1
6	5900531	Wheel, Steering	1	1
7	639191	Spring, Bearing	1	1
8	639192	Seat, Bearing Spring	1	1
9	5900591	Steering Shaft Assy., Upper	1	1
10	N/S	Snap Wire	2	2
11	801422	Bearing Assy.	2	2
12	990193	Contact Ring & Insulator	1	1
13	N/S	Shaft	1	1
14	990302	Retainer, Grommet	1	1
15	990196	Seal, Dust	1	1
16	N/S	Screw, Tapping	3	3
17	5900414	Column, Steering	1	1

AM General Corporation

Item	Part Number	Description	Quantity Per Vehicle	
			LHD	RHD
		Figure 10-8 STEERING COLUMN AND SHAFTS (Cont'd.)		
17	945694	Coupling & Lower Flange Assy.....		1
	5950816	Coupling & Lower Flange Assy.....	1	
	992975	Bolt, Coupling Pinch.....	1	1
18	N/S	Nut, Hex Hd. & Lockwasher Assy.....	1	1
19	996846	Shaft and Flange, Lower.....	1	1
20	990192	Universal Joint.....	1	1
	5997102	Kit, Steering Universal Joint Repair.....	1	1
21	N/S	Lockwasher.....	2	2
22	N/S	Bolt, Hex Hd.....	2	2
23	996524	Grommet.....	1	1
24	5900652	Brush, Horn Assy.....	1	1
25	N/S	Screw.....	2	2
	990939	Kit, Horn Button.....	1	1
	930673	Disc, Contact.....	1	1
	927413	Cup, Contact.....	1	1
	927414	Spring, Retainer.....	1	1
	5900652	Brush, Horn.....	1	1
	990413	Cap Horn.....	1	1
	G-167065	Screw.....	1	1
	990196	Seal, Dust.....	1	1

Section 11 BRAKES AND WHEELS

List of Illustrations

Title	Figure Number
Hand (Parking) Brake.....	11-1
Wheel Brakes.....	11-2
Wheel Cylinders.....	11-3
Master Cylinder.....	11-4
Brake Warning Valve & Switch.....	11-5
Brake Hose & Tubes.....	11-6
Brake Pedal.....	11-7
Wheels.....	11-8

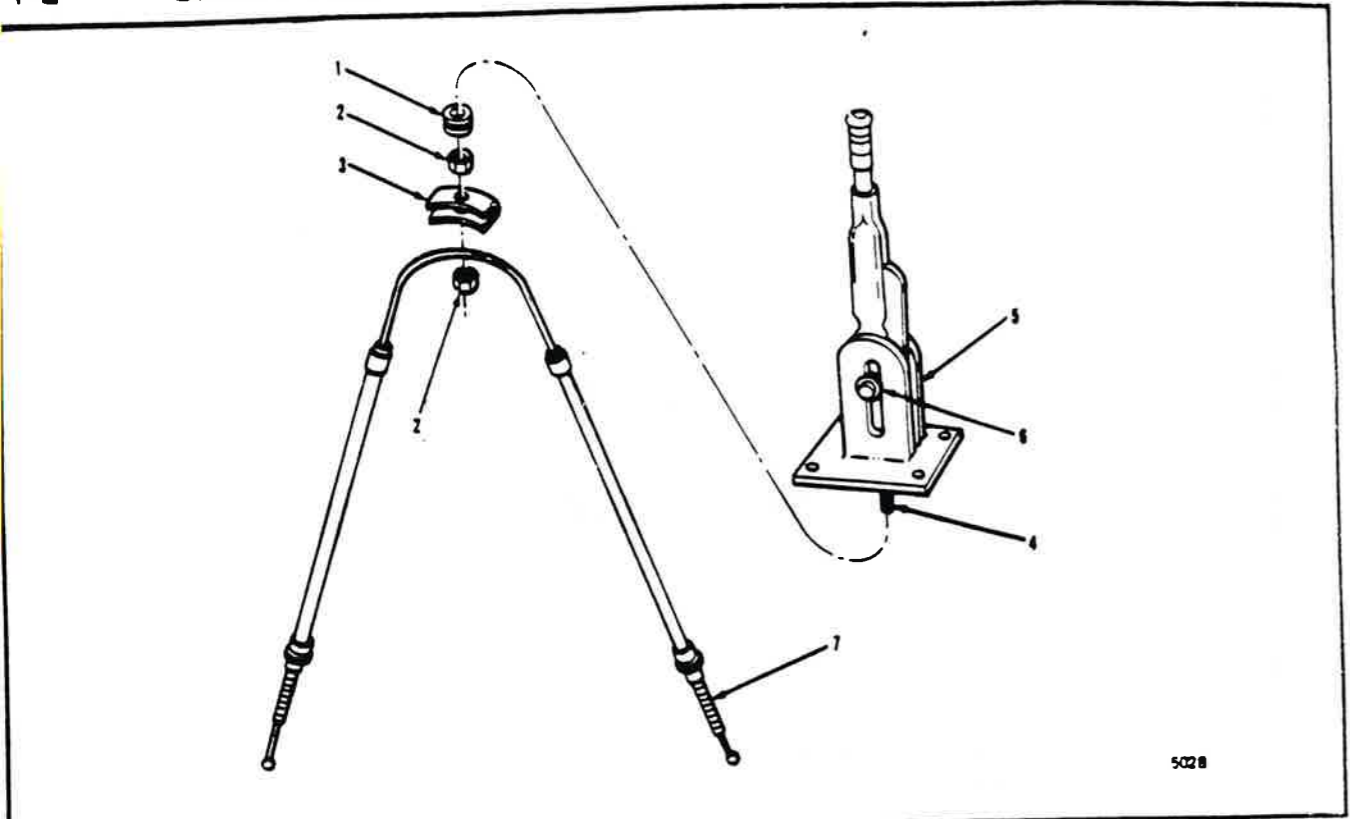


Figure 11-1 Hand (Parking) Brake

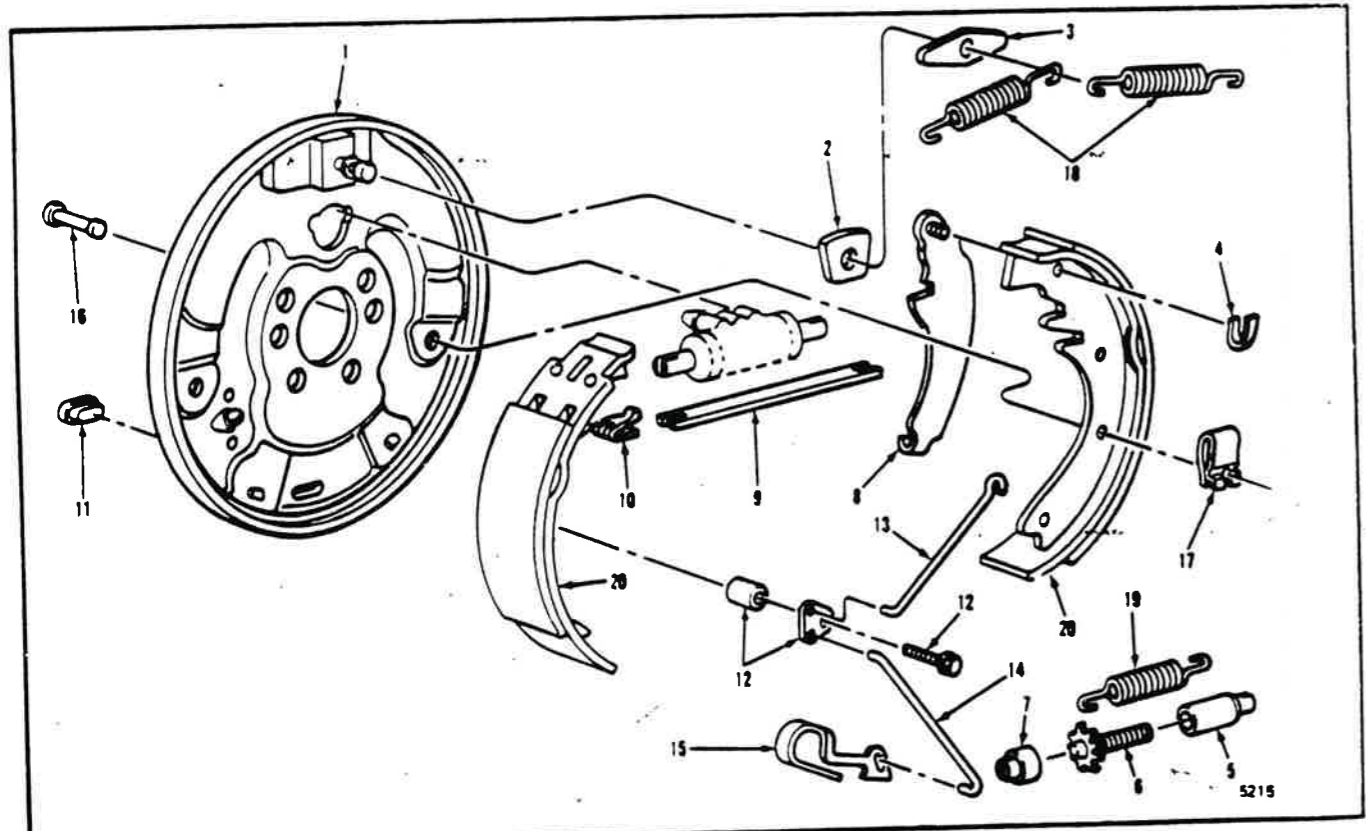
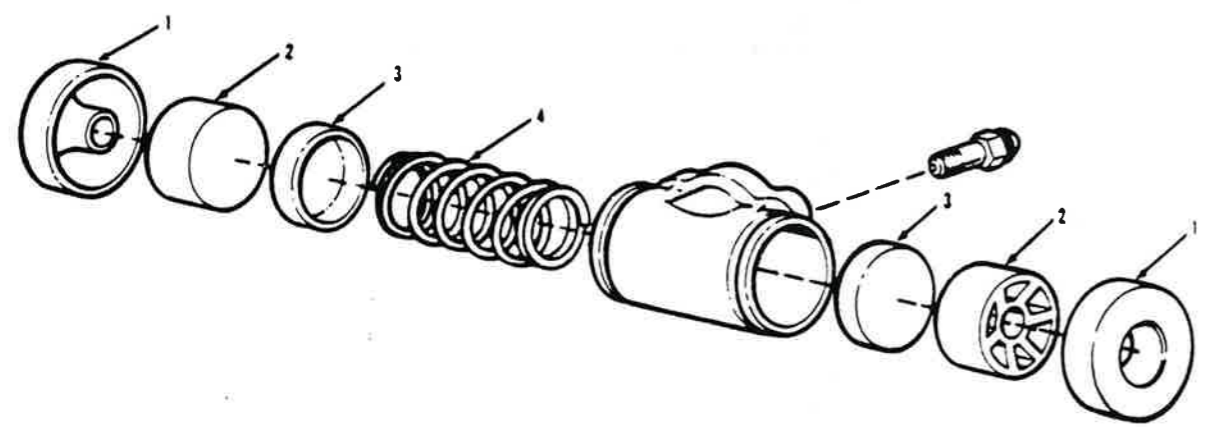


Figure 11-2 Wheel Brakes

AM General Corporation

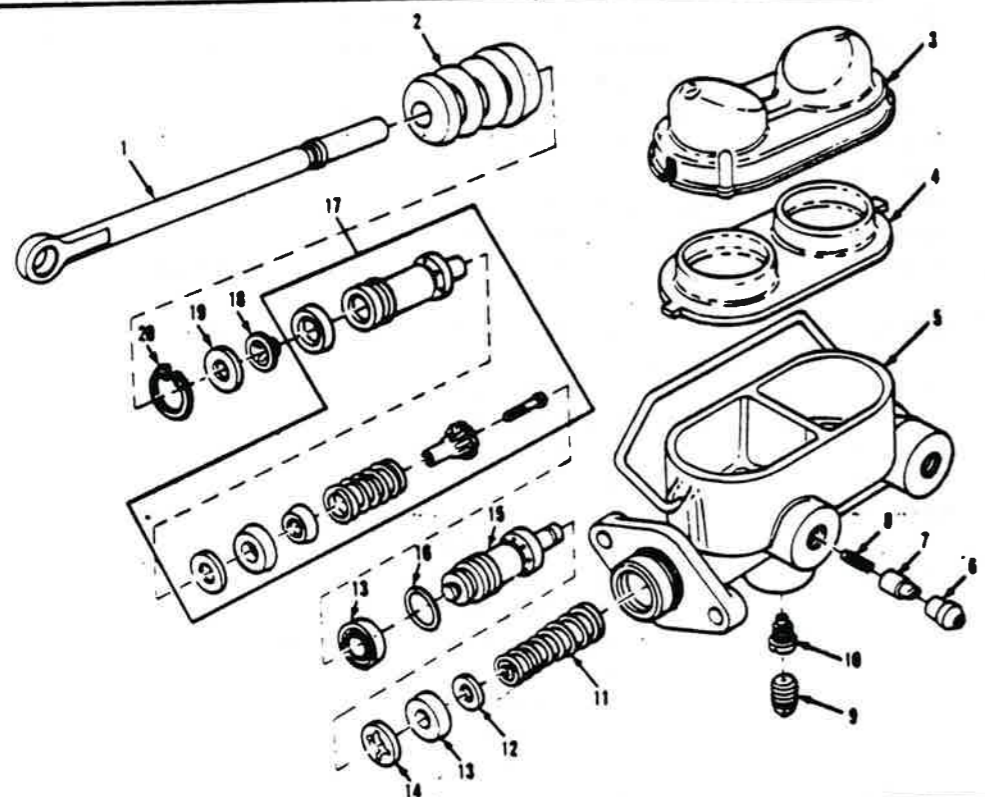
Item	Part Number	Description	Quantity Per Vehicle	
			LHD	RHD
Figure 11-1 HAND (PARKING) BRAKE				
1	906451	Grommet	1	1
2	N/S	Nut	4	4
3	990269	Equalizer, Cable	1	1
4	997860	Rod, Adjusting	1	1
5	990270	Hand Brake, Lever Assy.	1	1
6	5950991	Pin, Lever Pivot	1	1
7	997915	Cable, Hand Brake	1	1
	921091	Clamp, Brake Conduit	2	2
Figure 11-2 WHEEL BRAKES				
	5900567	Brake Assy, Front Left	1	1
	5900568	Brake Assy, Front Right	1	1
	997334	Brake Assy, Rear Left	1	1
	997335	Brake Assy, Rear Right	1	1
1	945300	Plate, Backing, Front Left	1	1
	945301	Plate, Backing, Front Right	1	1
	94318	Plate, Backing, Rear Left	1	1
	94319	Plate, Backing, Rear Right	1	1
2	938102	Block, Anchor	4	4
3	938103	Plate, Anchor	4	4
4	945323	Retainer, Parking Brake Lever	2	2
5	938105	Nut, Adjusting Screw	4	4
6	945303	Screw, Adjusting (Front Left and Right Rear)	2	2
	945304	Screw, Adjusting (Front Right and Left Rear)	2	2
7	945305	Socket, Adjusting Screw	4	4
8	945321	Lever and Pin Assy, Parking Brake Left	1	1
	945322	Lever and Pin Assy, Parking Brake Right	1	1
9	945324	Strut, Parking Brake	2	2
10	94525	Spring, Parking Brake Strut	2	2
11	938108	Plug, Shoe Adjusting Cover	4	4
	5950756	Kit, Brake Self-Adjusting Linkage (For One Axle)	2	2
Consists Of:				
12	945307	Screw, Crank and Sleeve Assy (For Front Left and Rear Right)	1	1
	991138	Screw, Crank and Sleeve Assy (For Front Right and Rear Left)	1	1
13	945309	Link, Anchor End	2	2
14	945310	Link, Actuator	2	2
15	945311	Spring Lever, Shoe Adjusting (For Front Left and Rear Right)	1	1
	945312	Spring Lever, Shoe Adjusting (For Front Right and Rear Left)	1	1
	5950757	Kit, Brake Retaining (For One Axle)	2	2
Consists Of:				
16	938109	Pin, Shoe Guide	4	4
17	938110	Clip, Shoe Guide	4	4
18	938111	Spring, Shoe Return	4	4
19	945306	Spring, Adjusting Screw	2	2
20	997660	Kit, Brake Shoe and Lining (For one axle)	2	2

AM General Corporation



5030

Figure 11-3 Wheel Cylinders



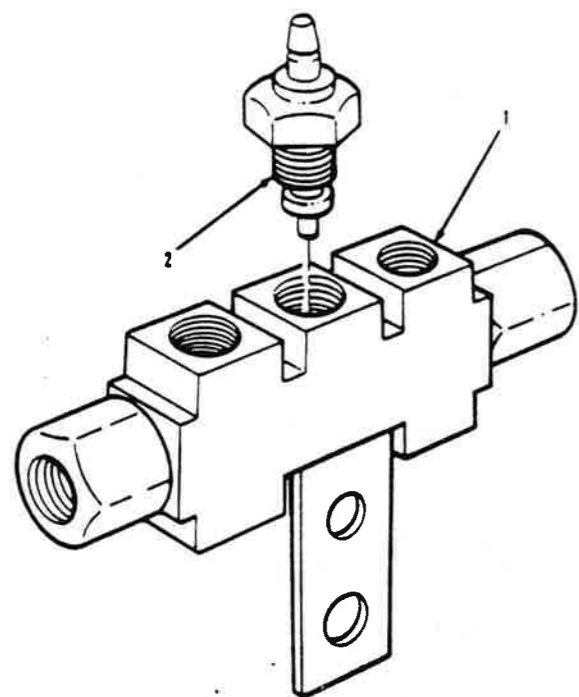
5031

Figure 11-4 Master Cylinder

AM General Corporation

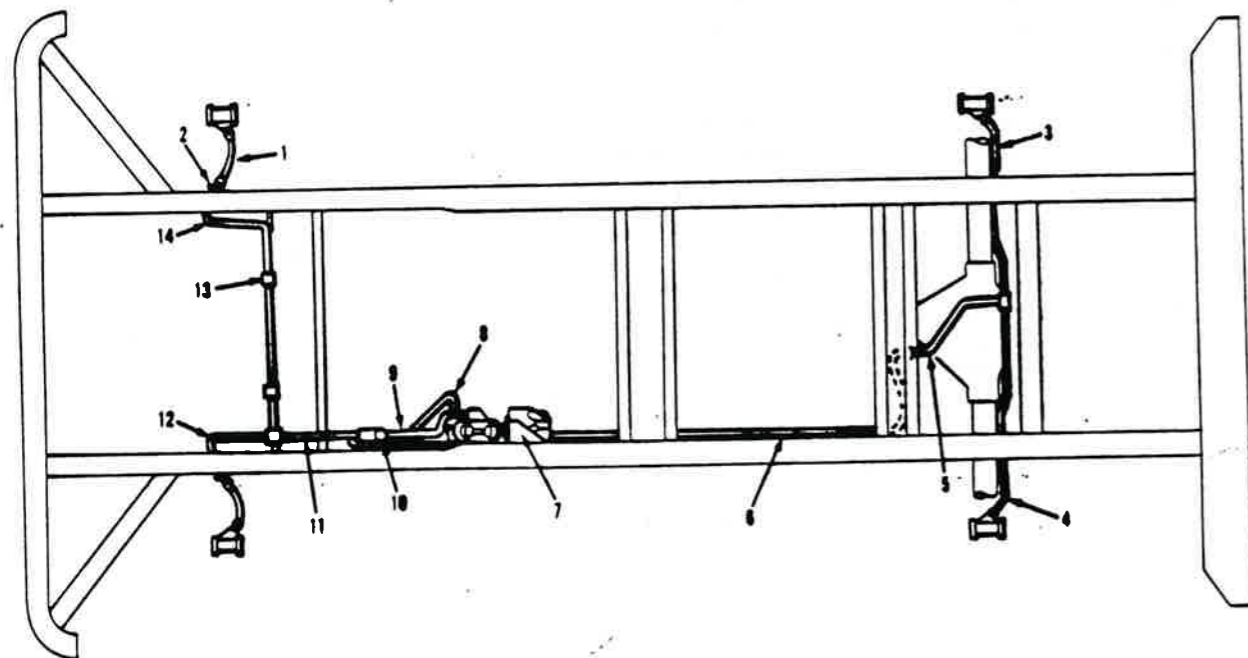
Item	Part Number	Description	Quantity Per Vehicle	
			LHD	RHD
Figure 11-3 WHEEL CYLINDERS				
	983731	Wheel Cylinder, Left (Less Push Rods)	2	2
	983732	Wheel Cylinder, Right (Less Push Rods)	2	2
1		Boot	8	8
2		Piston	8	8
3		Cup	8	8
4		Spring Assy.	4	4
	938121	Kit, Repair		
		Cup	2	2
		Boot	2	2
		Spring & Expander Assy.	1	1
Figure 11-4 MASTER CYLINDER				
1	982915	Push Rod, Master Cylinder (RHD)		1
	943068	Push Rod, Master Cylinder (LHD)	1	
	998392	Master Cylinder Assy (Less Push Rod)	1	1
2	934349	Boot	1	1
3	4488293	Cover	1	1
4	998391	Gasket, Cover	1	1
5	N/S	Body	1	1
6	See Kit	Seat, Tube	2	2
7	See Kit	Valve, Residual	2	2
8	939607	Spring, Residual Valve	2	2
9	N/S	Plug, Stop Bolt	1	1
10	934348	Bolt, Stop	1	1
11	939610	Spring, Secondary	1	1
12	939608	Retainer, Cup	1	1
13	See Kit	Cup, Secondary Piston	2	2
14	See Kit	Protector	1	1
15	943070	Piston, Secondary	1	1
16	N/S	O-Ring	1	1
17	N/S	Piston, Primary	1	1
18	948023	Retainer, Push Rod	1	1
19	939604	Washer, Push Rod	1	1
20	939603	Ring, Snap	1	1
	8122421	Kit, Repair, Master Cylinder	1	1
		Valve, Residual	2	2
		Seat, Tube	2	2
		Piston, Primary	1	1
		Cup, Secondary Piston	2	2
		Protector	1	1
		O-Ring	1	1
		Screws	2	2
	939603	Ring, Snap	1	1
	934349	Boot	1	1
	948023	Retainer, Push Rod	1	1

AM General Corporation



5108

Figure 11-5 Brake Warning Valve & Switch



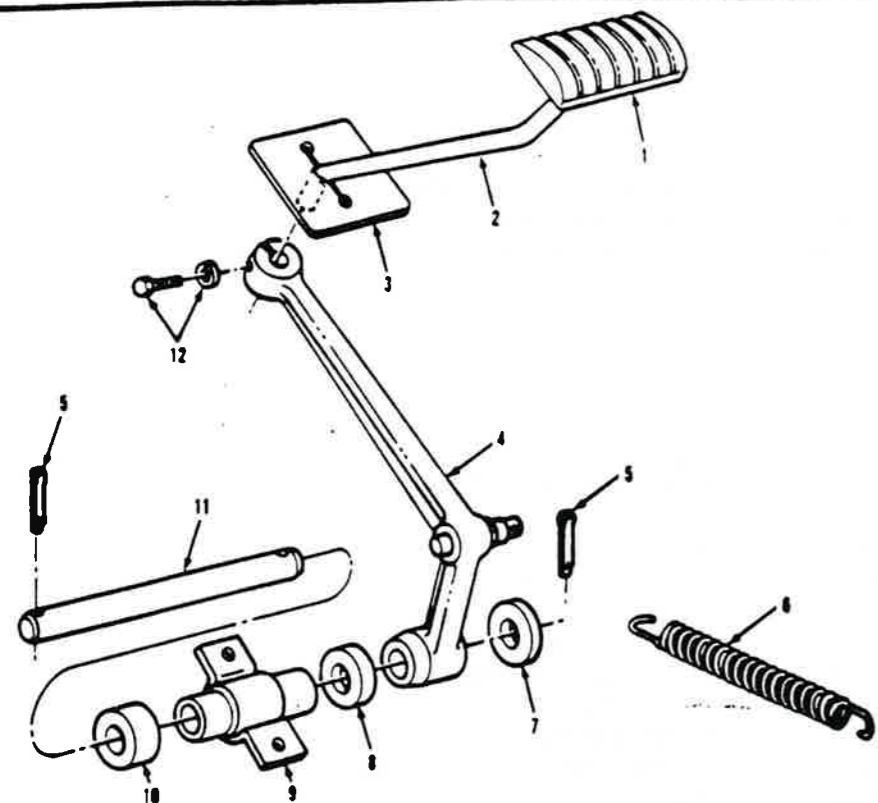
5110

Figure 11-6 Brake Hoses & Tubes (LHD Shown)

AM General Corporation

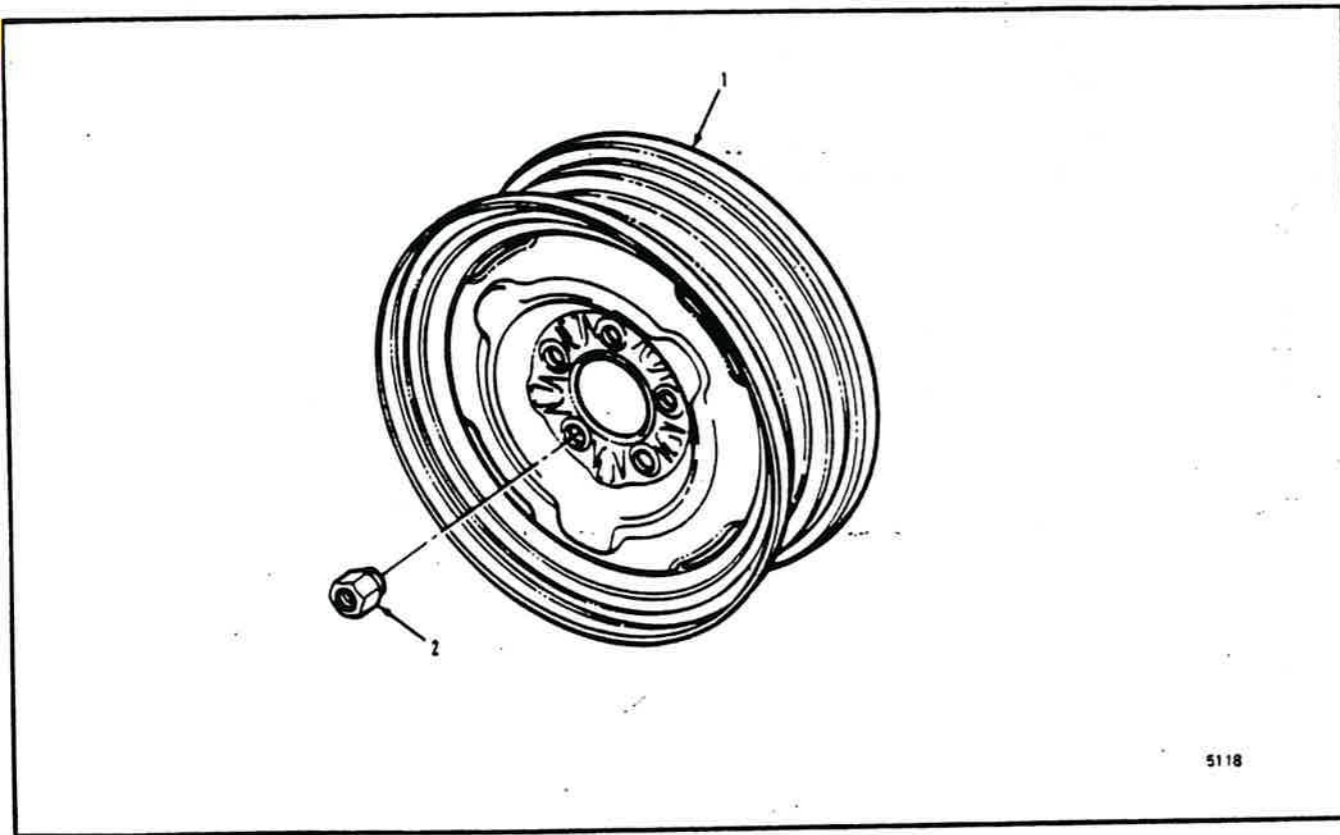
Item	Part Number	Description	Quantity Per Vehicle	
			LHD	RHD
Figure 11-5 BRAKE WARNING VALVE & SWITCH				
1	990805	Valve, Brake Warning (RHD)		1
	990305	Valve, Brake Warning (LHD)	1	
2	3208667	Switch, Brake Warning Valve Replacement	1	1
Figure 11-6 BRAKE HOSES & TUBES				
1	5900734	Brake Hose Assy. Front Axle to Frame	2	2
2	637427	Clip, Spring Lock	2	2
3	N/S	Brake Tube Assy. (Right Rear)	1	1
4	N/S	Brake Tube Assy. (Left Rear)	1	1
5	5900735	Brake Hose Assy. (Rear)	1	1
6	N/S	Brake Tube Assy.	1	
	N/S	Brake Tube Assy.		1
7	N/S	Bracket, Master Cylinder Support	1	
8	997632	Brake Tube Assy.	1	
	997338	Brake Tube Assy.		1
9	997635	Brake Tube Assy.	1	
	997337	Brake Tube Assy.		1
10	See Fig. 11-5	Brake Warning Valve		
11	N/S	Brake Tube Assy.	1	
	N/S	Brake Tube Assy.		1
12	N/S	Brake Tube Assy.	1	
13	N/S	Clip (Brake Tube)	2	2
14	N/S	Brake Tube Assy.	1	1

AM General Corporation



5034

Figure 11-7 Brake Pedal (RHD Shown)



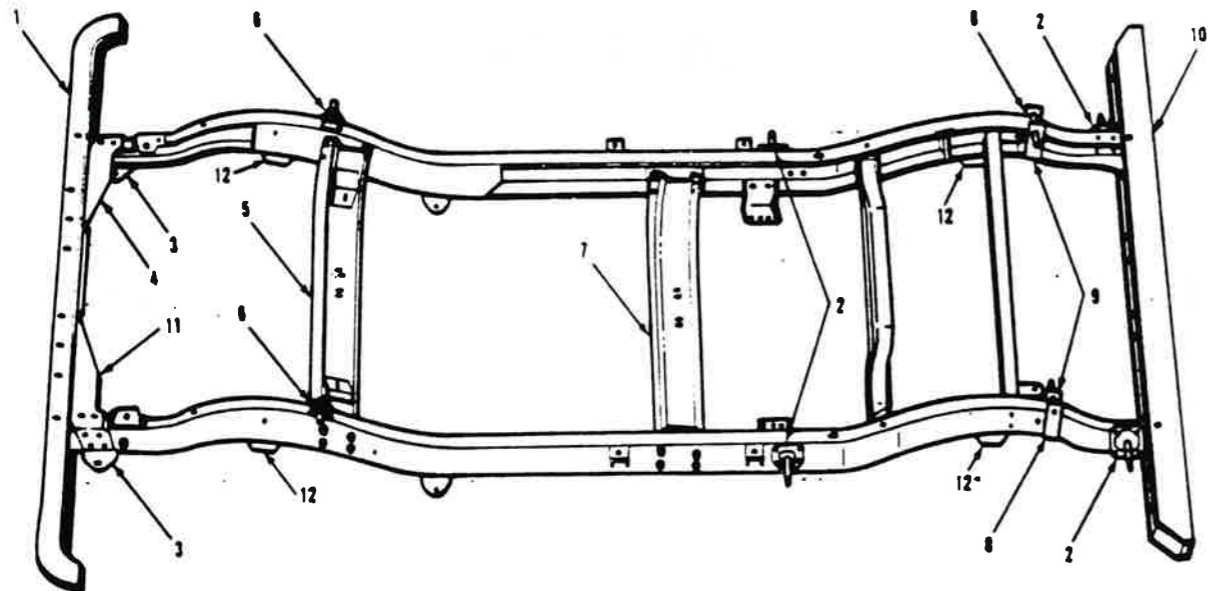
5118

Figure 11-8 Wheels

AM General Corporation

Item	Part Number	Description	Quantity Per Vehicle	
			LHD	RHD
Figure 11-7 BRAKE PEDAL				
1	948758	Pad, Brake Pedal Cover	1	1
2	927777	Shank & Pad, Brake Pedal	1	1
3	941440	Shank & Pad, Brake Pedal	1	1
3	946728	Pad, Brake Pedal, Draft	1	1
4	946443	Arm, Lower Brake Pedal	1	1
	997111	Arm, Lower Brake Pedal	1	1
5	N/S	Pin, Cotter	2	2
6	630593	Spring, Brake Pedal Return	1	1
7	990285	Spacer, Pedal Cross Shaft, Inboard	1	1
	997114	Spacer, Pedal Cross Shaft, Inboard	1	1
8	990286	Spacer, Pedal Cross Shaft, Intermediate	1	1
	997113	Spacer, Pedal Cross Shaft, Intermediate	1	1
9	645086	Bracket Assy, Pedal Shaft Retainer	1	1
	997109	Bracket Assy, Pedal Shaft Retainer	1	1
10	990287	Spacer, Pedal Cross Shaft, Outboard	1	1
	990284	Spacer, Pedal Cross Shaft, Outboard	1	1
11	990282	Shaft, Brake Pedal	1	1
	997110	Shaft, Brake Pedal	1	1
12	N/S	Bolt & Lockwasher	1	1
 Figure 11-8 WHEELS				
1	990793	Wheel Assy	4	4
2	635516	Nut, Wheel Stud	20	20

AM General Corporation



5214

Figure 12-1 Frame Assembly

AM General Corporation

Item	Part Number	Description	Quantity Per Vehicle	
			LHD	RHD
Figure 12-1 FRAME ASSEMBLY				
	5900541	Frame Assy. Complete.....	1	1
1	5900532	Bumper, Front.....	1	1
2	990778	Hanger Assy. Rear Spring.....	4	4
3	645966	Bracket, Spring Shackle, Front to Frame.....	2	2
4	997491	Brace, Frame (RH).....	1	1
5	983935	Crossmember Assy, Front Engine Mounting.....	1	1
6	800825	Bracket, Front Shock Absorber to Frame.....	2	2
7	5900341	Crossmember, Trans. Mounting.....	1	1
8	990612	Support, Rear Shock Absorber, Outer.....	2	2
9	990613	Bracket Assy, Rear Shock Absorber.....	2	2
10	997343	Bumper and Crossmember Assy, Rear.....	1	1
11	997490	Brace, Frame (LH).....	1	1
12	945577	Bumper, Axle.....	4	4

AM General Corporation



3/71

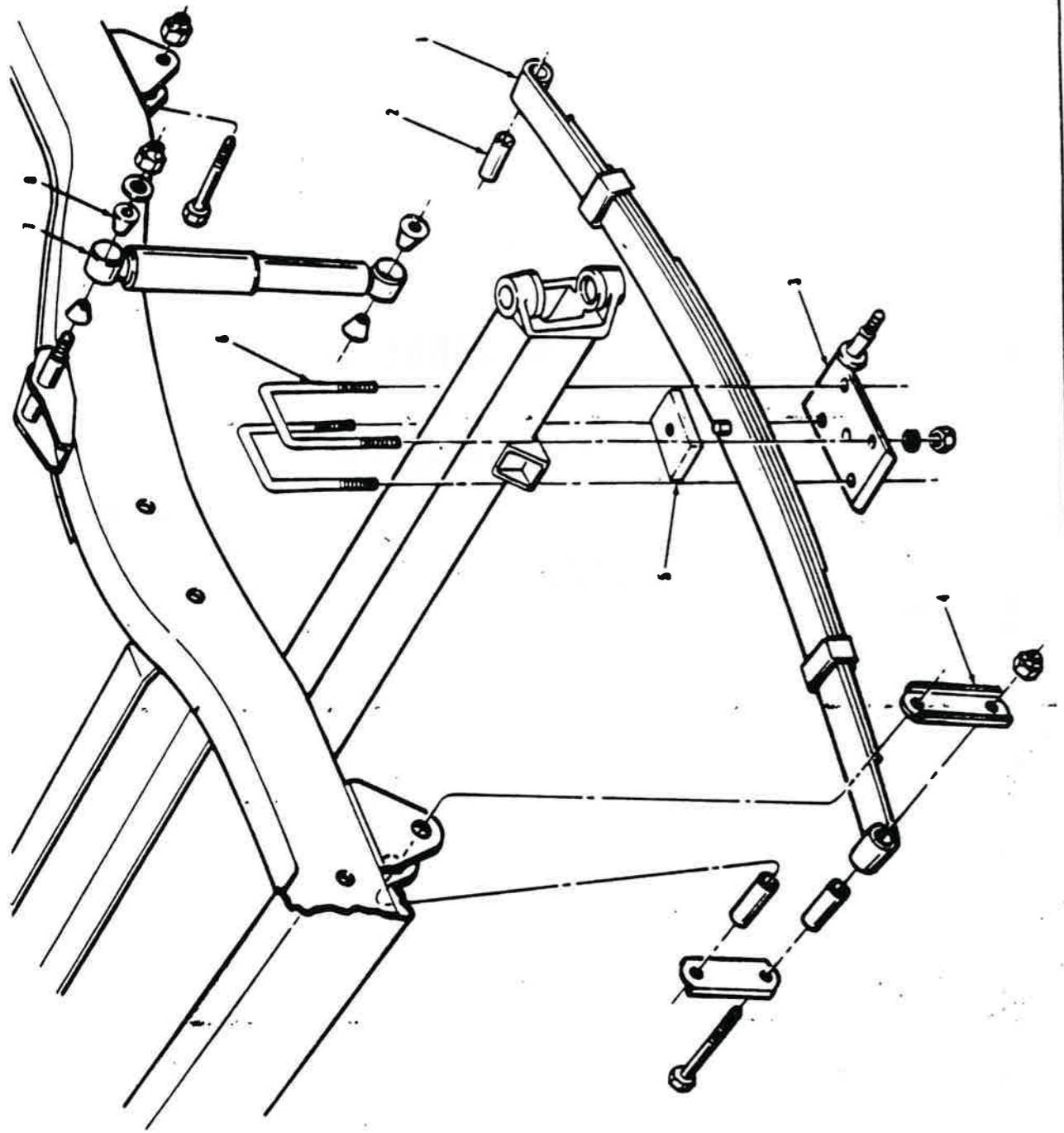
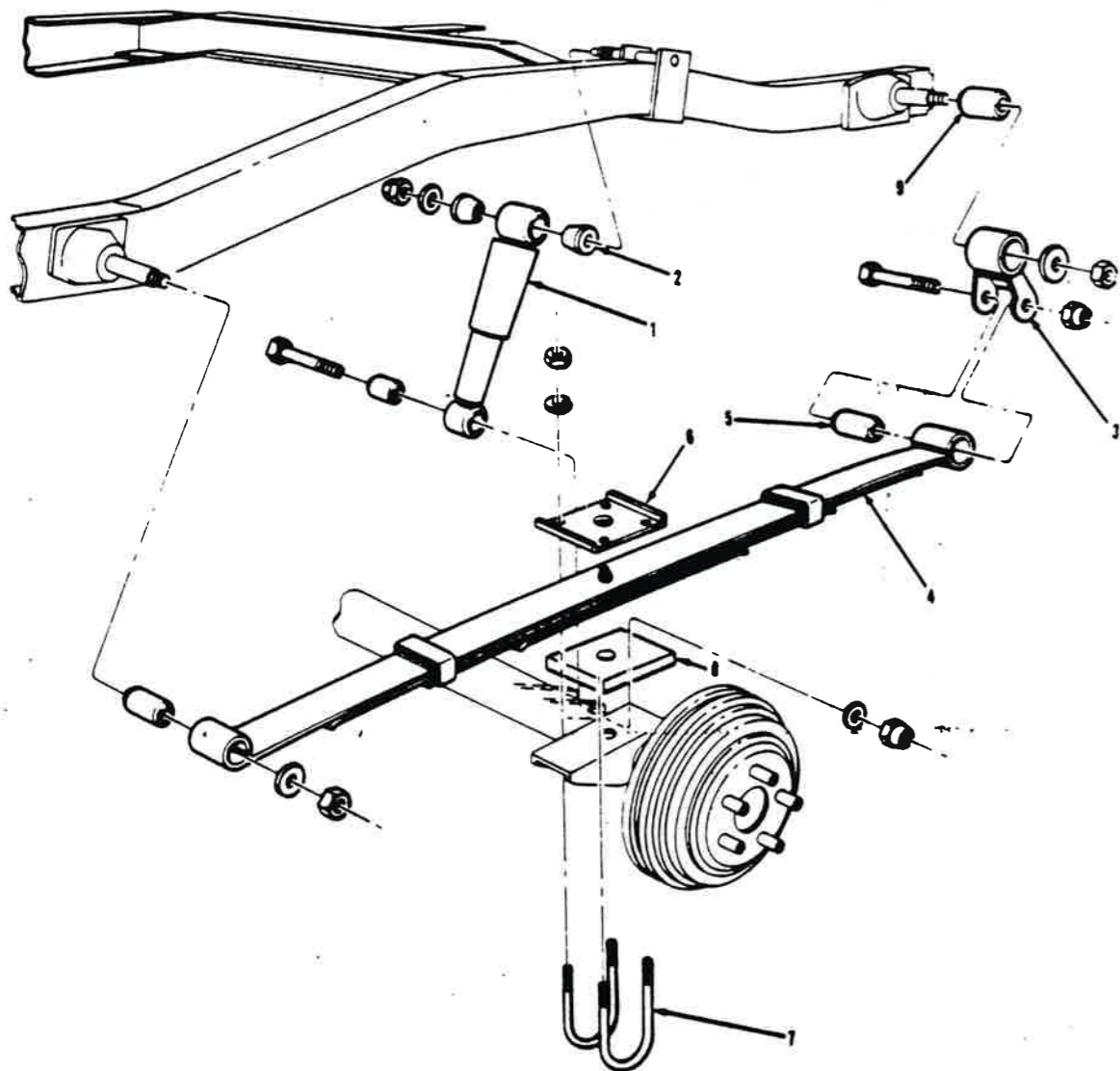


Figure 13-1 Front Spring and Shock Absorber

AM General Corporation

Item	Part Number	Description	Quantity Per Vehicle	
			LHD	RHD
Figure 13-1 FRONT SPRING AND SHOCK ABSORBER				
1	990743	Front Spring and Bushing Assy	2	2
2	918087	Bushing, Spring	4	4
3	5900546	Plate and Shaft Assy, Lt.	1	1
	5900547	Plate, Shaft Assy, Rt.	1	1
4	645964	Plate, Spring Shackle	4	4
5	997361	Spacer, Front Spring *	1	1
	5950742	Kit, Front Spring Clip (1 Side)	2	2
6		U-Bolts (Spring Clip)	4	4
		Lockwasher	8	8
		Nuts	8	8
7	990928	Kit, Shock Absorber and Bushing	2	2
8	637936	Shock Absorber	2	2
		Bushing	8	8
* Used on the left spring on RHD vehicles and on right spring on LHD vehicles.				

AM General Corporation



5037

Figure 13-2 Rear Spring and Shock Absorber

AM General Corporation

Item	Part Number	Description	Quantity Per Vehicle	
			LHD	RHD
Figure 13-2 REAR SPRING AND SHOCK ABSORBER				
	990929	Kit, Shock Absorber & Bushing	2	2
1		Shock Absorber	2	2
2	637936	Bushing	4	4
3	996674	Shackle Assy.	2	2
4	997845	Spring & Bushing Assy.	2	2
5	944870	Bushing, Rear	2	2
	934866	Bushing, Front	2	2
6	912615	Plate, Spring Clip	2	2
	5950743	Kit, Rear Spring Clip (1 Side)	2	2
7		U-Bolts (Spring Clip)	4	4
		Lockwashers	8	8
		Nuts	8	8
8	997362	Spacer*	1	1
9	944874	Bushing, Rear Shackle	2	2
* Used on the right spring on RHD vehicles and on left spring on LHD vehicles.				

AM General Corporation

SERVICE PARTS CHANGES

Add or Delete	Figure No.		Description

Section 14

BODY

List of Illustrations

Title	Figure Number
Front Fenders & Grille	14-1
Hood	14-2
Body Front End and Underbody (Left Front View)	14-3
Body Front End and Underbody (Right Rear View)	14-4
Body Sides & Roof	14-5
Side Door	14-6
Rear Door	14-7
Seats	14-8
Seats Belts	14-9
Convex Mirror - Fender Mount	14-10
Driver's Side Mirror	14-11
Passenger Side Mirrors	14-12
Inside Mirror	14-14
Sun Visor	14-15
Windshield Washer	14-16
Windshield Wiper	14-17
Windshield Wiper & Washer Switch	14-17

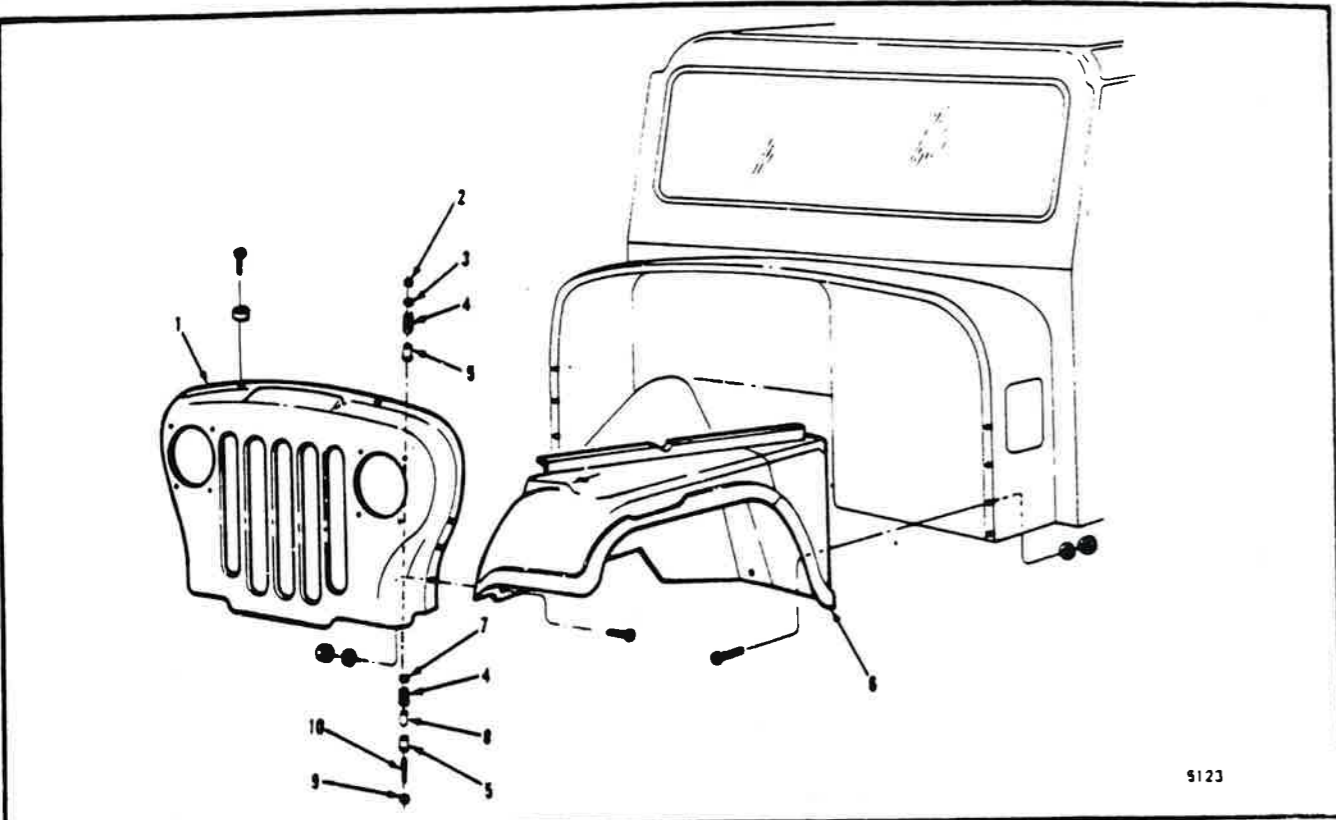


Figure 14-1 Fenders and Grille

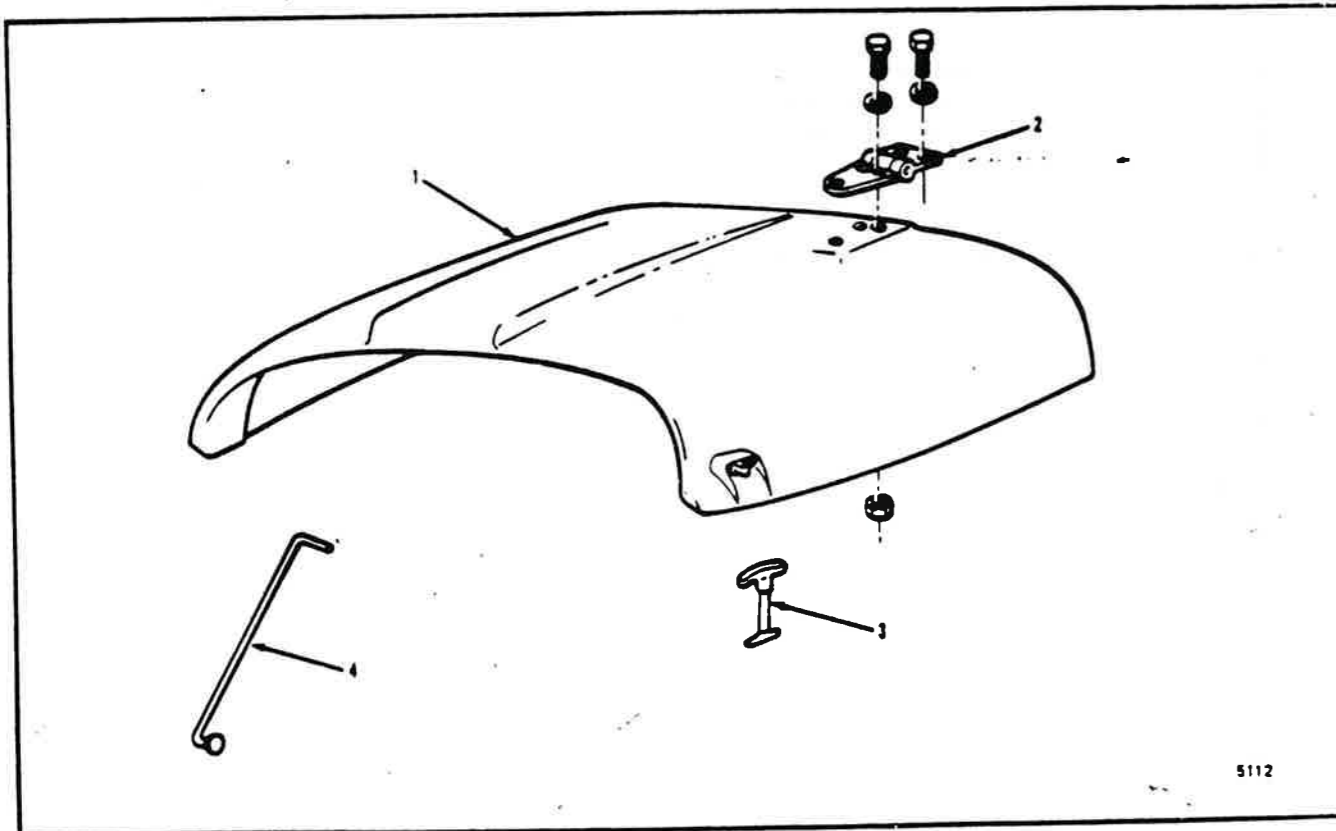


Figure 14-2 Hood

AM General Corporation

Item	Part Number	Description	Quantity Per Vehicle	
			LHD	RHD
Figure 14-1 FENDERS AND GRILLE				
1	5950378	Grille	1	1
2	N/S	Locknut	2	2
3	N/S	Washer, Flat, Special	2	2
4	982762	Spring, Radiator Guard Hold Down	4	4
5	982882	Stop Assembly, Radiator Guard Hold Down	4	4
6	5950383	Fender, Front Left	1	1
	5950384	Fender, Front Right	1	1
	982432	Mud Flap, Master Cylinder Protector		1
7	982902	Washer, Flat Special	2	2
8	982685	Spacer, Radiator Guard Hold Down	2	2
9	N/S	Nut, Jam	2	2
10	982885	Stud, Radiator Guard Hold Down	2	2
Figure 14-2 HOOD				
1	5950328	Hood Assembly	1	1
2	5950340	Hinge, Hood	2	2
	5950341	Bracket, Hood Catch	2	2
3	5950377	Catch Assembly, Hood	2	2
4	5950326	Arm, Hood Support	1	1
	997992	Bumper, Hood to Fender	2	2

AM General Corporation

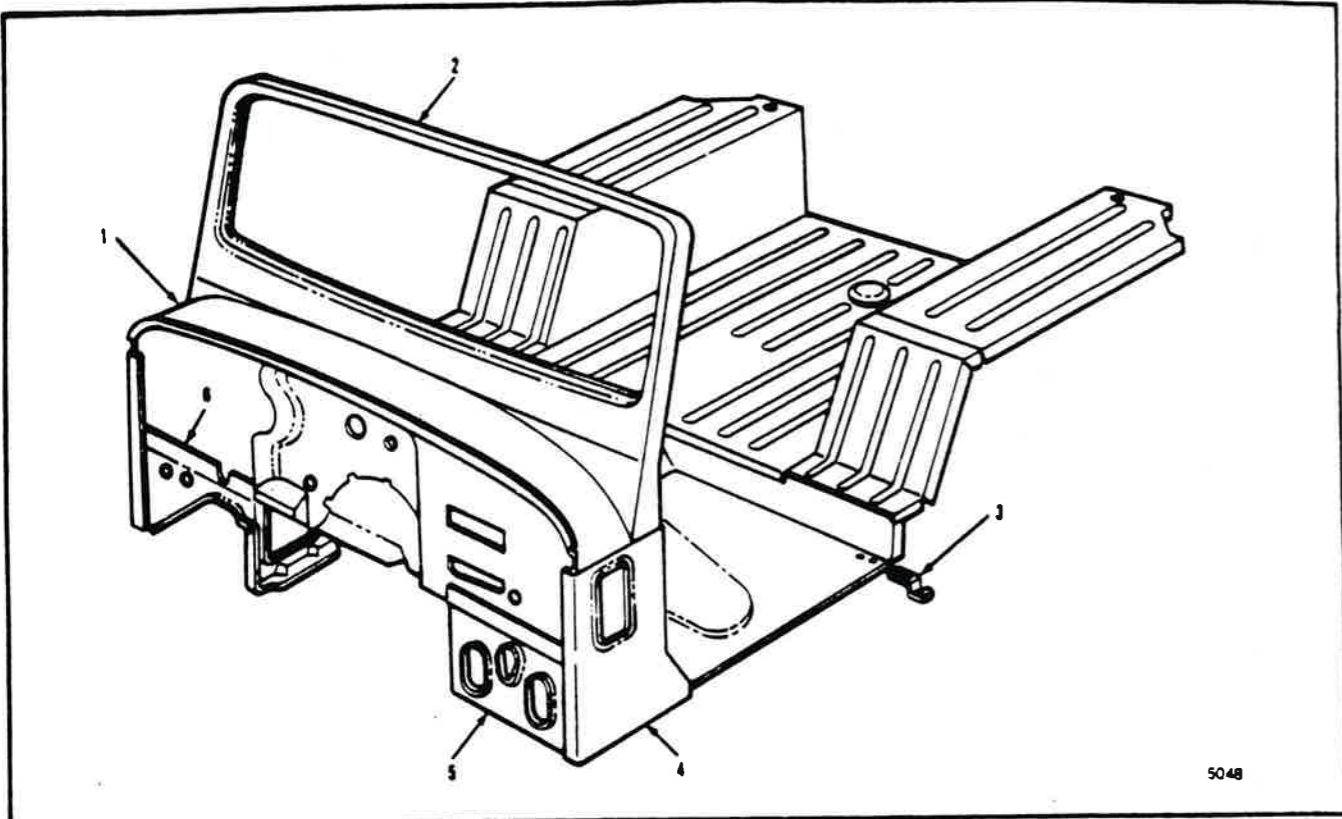


Figure 14-3 Body Front End and Underbody (Left Front View)

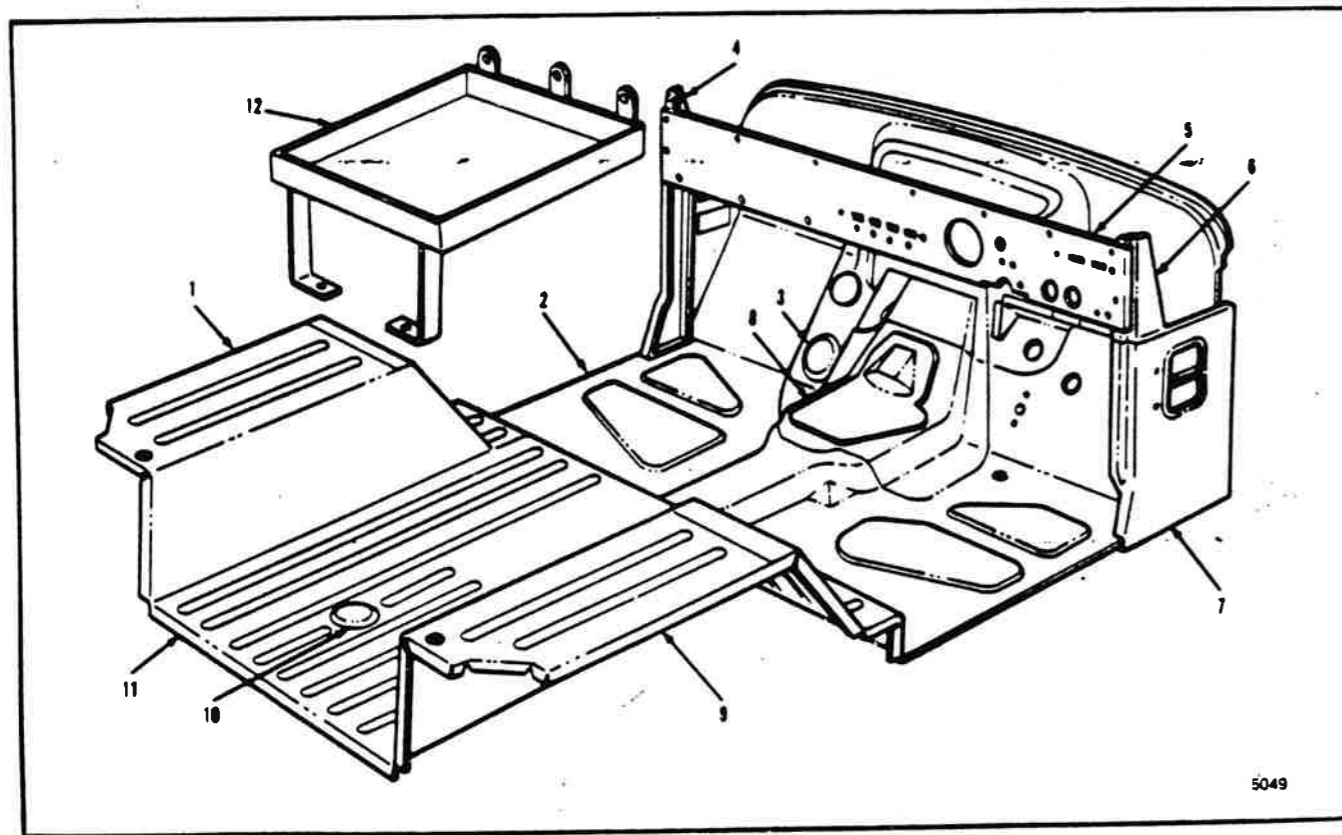
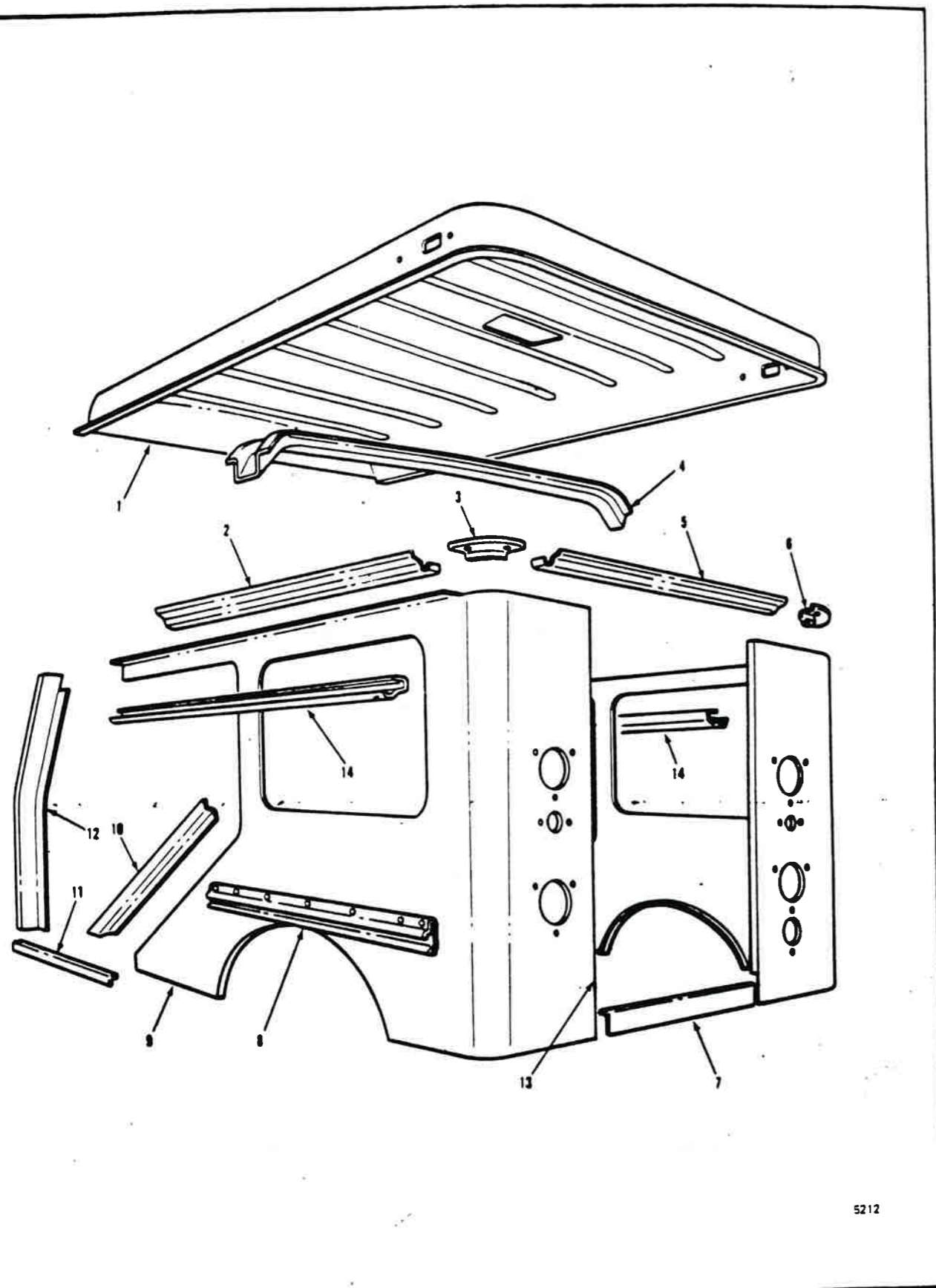


Figure 14-4 Body Front End and Underbody (Right Rear View)

Item	Part Number	Description	Quantity Per Vehicle	
			LHD	RHD
Figure 14-3 BODY FRONT END AND UNDERBODY (Left Front View)				
	5953081	Body Assy. In Prime (LHD)	1	
	5953082	Body Assy. In Prime (RHD)		1
1	982668	Cowl Panel Assy.	1	1
2	5950455	Windshield Frame Assy.	1	1
	979140	Weatherseal, Windshield	1	1
3	5950345	Catch, Side Door	2	2
	996353	Screw, Side Door Catch to Floor	2	2
4	5950405	Cowl Panel Assy, Left Side	1	1
	5950406	Cowl Panel Assy, Right Side	1	1
5	684299	Gusset, Side Panel to Body Brkt. Left	1	1
6	979128	Gusset, Side Panel to Body Brkt. Right	1	1
	5950474	Lock Set	1	1
		Lock Cyl., Ignition	1	1
		Lock Cyl. and Cam, Rear Door	1	1
		Lock Cyl., Side Door	2	2
		Keys	3	3
Figure 14-4 BODY FRONT END AND UNDERBODY (Right Rear View)				
1	5950367	Wheelhouse Assy, Left	1	1
2	5950414	Front Floor Pan Assy. (LHD)	1	
	5950415	Front Floor Pan Assy. (RHD)		1
3	979125	Cover, Brake Cylinder Inspection (RHD)		1
	980280	Cover, Brake Cylinder Inspection (LHD)	1	
4	979093	Cowl, Pillar Assy. Left	1	1
5	5965933	Instrument Panel Assy. (RHD)		1
	5965934	Instrument Panel Assy. (LHD)	1	
6	979094	Cowl, Pillar Assy. Right	1	1
7	5950406	Cowl Panel Assy. Right	1	1
8	979082	Plate, Transmission Floor	1	1
9	5950368	Wheelhouse Assy, Right	1	1
10	980280	Cover, Gas Tank Gauge Access	1	1
11	5950433	Rear Floor Pan Assy.	1	1
	983814	Bumper, Door Striker	4	4
	980838	Ash Receiver	1	1
	5950794	Kit, Defroster Plenum (Two-piece)	1	1
	997371	Bracket, Foot Rest	1	
	982473	Bracket, Foot Rest		1
12	5950827	Kit, Sorting Tray (Incl. mounting hardware)	1	1
	982718	Tray Assy.	1	1
	982721	Support Assy	1	1



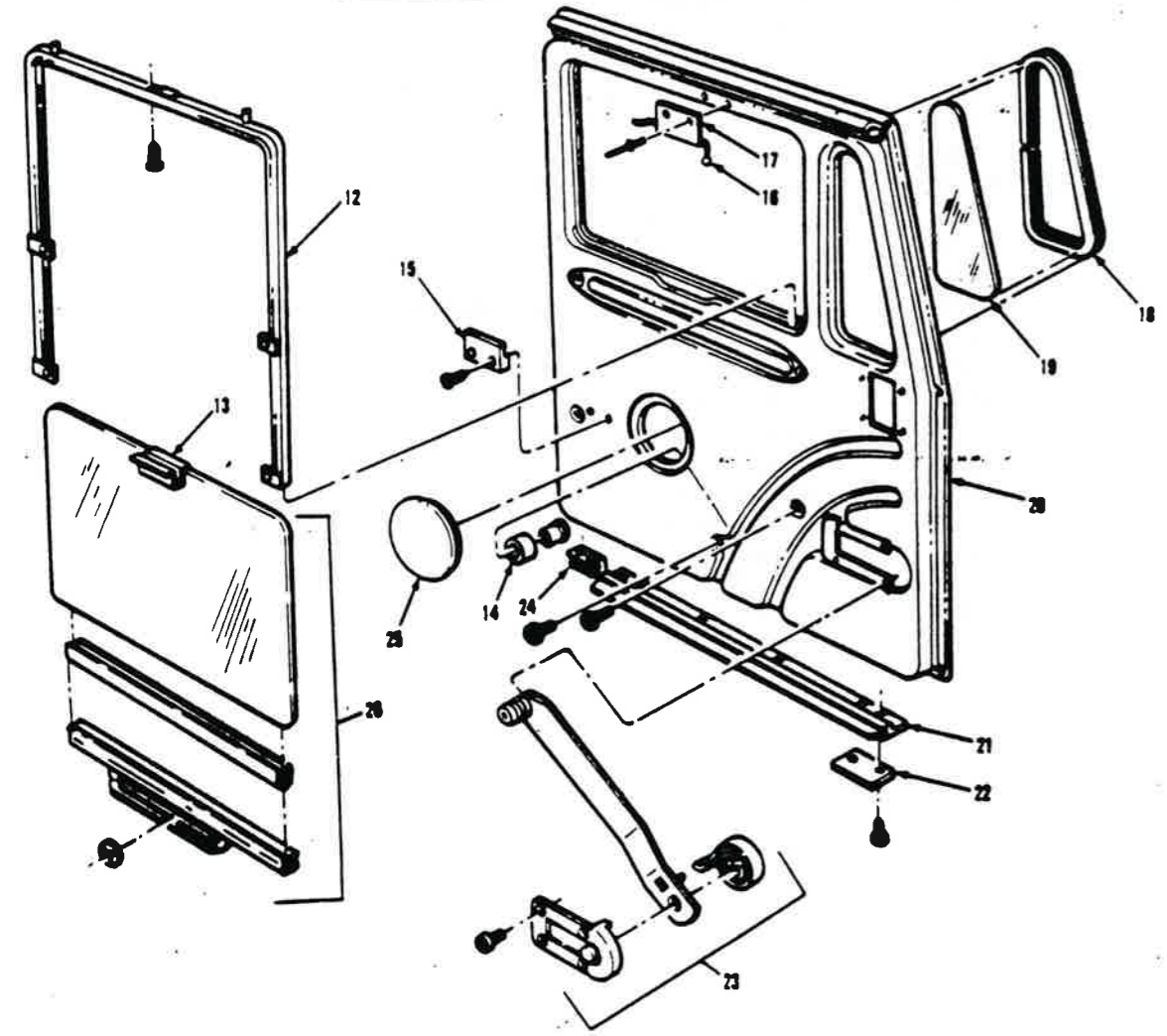
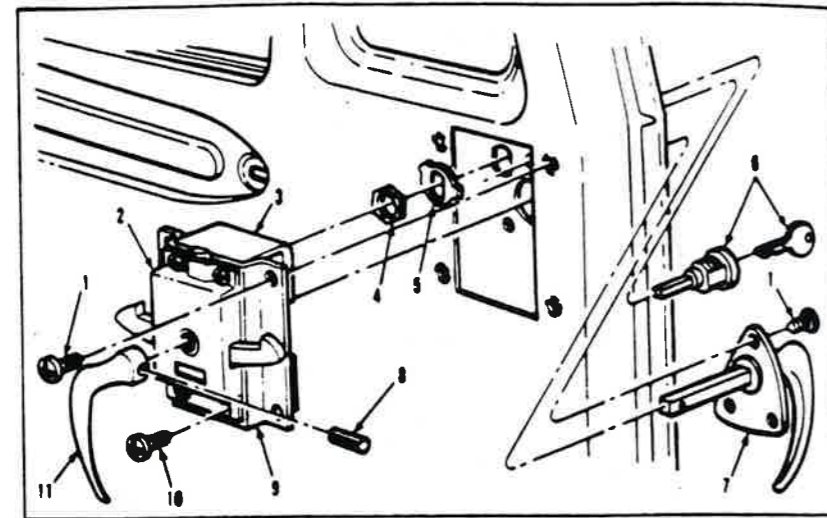
5212

Figure 14-5 Body Sides and Roof

AM General Corporation

Item	Part Number	Description	Quantity Per Vehicle	
			LF	RF
Figure 14-5				
BODY SIDES AND ROOF				
1	5950000	Roof Panel Assy	1	1
2	979009	Rail, Roof Side, Left	1	1
	979010	Rail, Roof Side, Right	1	1
3	979181	Rail, Roof and Drip, Left Rear Corner	1	1
4	979129	Bow, Roof	2	2
5	980323	Rail, Roof, Rear	1	1
6	979182	Rail, Roof & Drip, Right Rear Corner	1	1
7	979188	Plate, Scuff, Rear Door	1	1
8	5950357	Track, Door Guide, Lower	2	2
9	5950379	Body, Left Side, Panel Assy	1	1
	5950380	Body, Right Side, Panel Assy	1	1
10	979031	Extension, "B" Pillar to Left Rear Rocker	1	1
	979032	Extension "B" Pillar to Right Rear Rocker	1	1
11	979026	Panel, Rocker, "A" to "B" Pillar Extension	2	2
12	979029	Rail, Drip, "A" Pillar, LH	1	1
	979030	Rail, Drip, "A" Pillar, RH	1	1
13	5950159	Pillar Assy, Rear Door Opening, Left	1	1
	5950276	Pillar Assy, Rear Door Opening, Right	1	1
14	979035	Track, Door, Upper to Qtr. Panel	2	2
	5950356	Seal, Upper, Sliding Door Track (white)	2	2
	980294	Striker, Rear Door	1	1
	951677	Bumper, Rear Door Prop Arm	1	1
	982585	Striker, Left Door (Open Position)	1	1
	982586	Striker, Right Door (Open Position)	1	1
	982583	Striker, Left Door (Closed Position)	1	1
	982584	Striker, Right Door (Closed Position)	1	1
	983814	Bumper Assy, Door Striker	8	8
	979138	Weatherseal, Quarter Panel Glass	2	2
	5959359	Cowl Vent Door Assy	2	2
	982886	Spring, Fresh Air Vent	2	2
	5963083	Seal, Fresh Air Vent	2	2
	982357	Weatherseal, Side Door Opening	2	2

AM General Corporation



5211

Figure 14-6 Side Doors (Left Shown)

AM General Corporation

Item	Part Number	Description	Quantity	
			Per Vehicle	Per Side
Figure 14-6 SIDE DOORS (LEFT SHOWN)				
1	982749	Screw, Lock Cap & Handles	4	4
2	982595	Lock, Side Door	2	2
3	982716	Adapter Plate Assy.	2	2
4	980416	Nut	2	2
5	980373	Lockwasher	2	2
6	982714	Lock Cylinder & Key	2	2
7	982723	Lock Handle Assy, Outside	2	2
8	N/S	Pin, Slotted Spring	2	2
9	982717	Cap, Lock Mounting	2	2
10	982748	Screw, Lock to Lock Mtg. Cap	8	8
11	982596	Lock Handle Assy, Inside	2	2
12	982408	Glass Run & Weatherstrip Assy.	2	2
13	980336	Lift, Window	2	2
14	980326	Bumper, Window	2	2
15	980401	Guide, Door to Lower Track	2	2
16	N/S	Screw & Lockwasher Assy, Lock Rod	4	4
17	98280	Bolt, Window Lock	1	1
	982366	Retainer, Window Lock Bolt	1	1
18	979110	Weatherstrip, Cove Window	2	2
19	N/S	Glass (Purchase Locally)	2	2
20	982727	Door Assy, Left	1	1
	982728	Door Assy, Right	1	1
21	5950122	Seal, Lower Side Door	2	2
22	5950121	Guide, Door to Lower Body	2	2
23	980273	Window Balance Assy, LH	1	1
	980274	Window Balance Assy, RH	1	1
24	5950343	Keeper, Side Door	2	2
25	980325	Cover, Access, Sliding Door	2	2
26	979581	Glass & Lifter Channel Assy	2	2
	979524	Weather Seal, Glass Wiper (At Window Sill)	2	2
	979585	Ball and Retainer Assy, Door Track	2	2

AM General Corporation

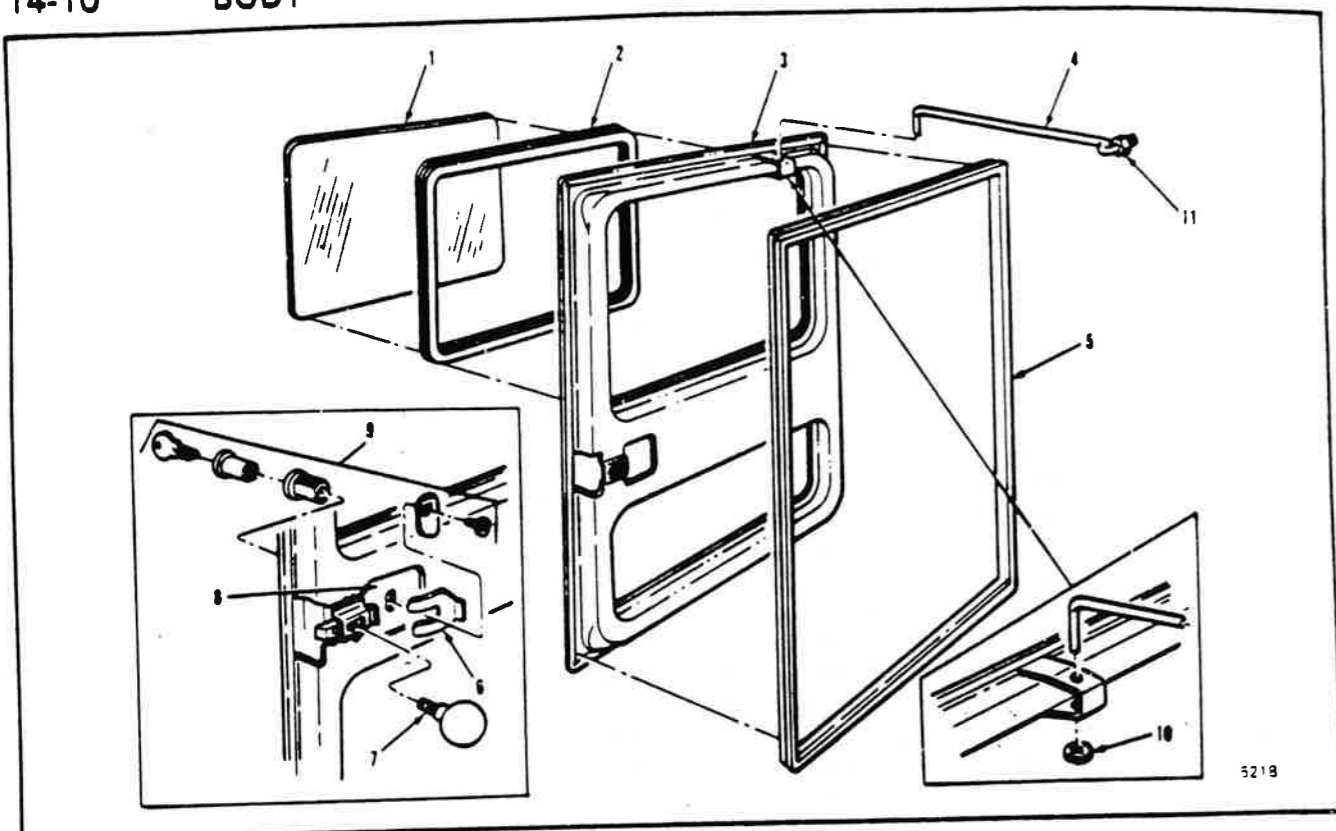


Figure 14-7 Rear Door

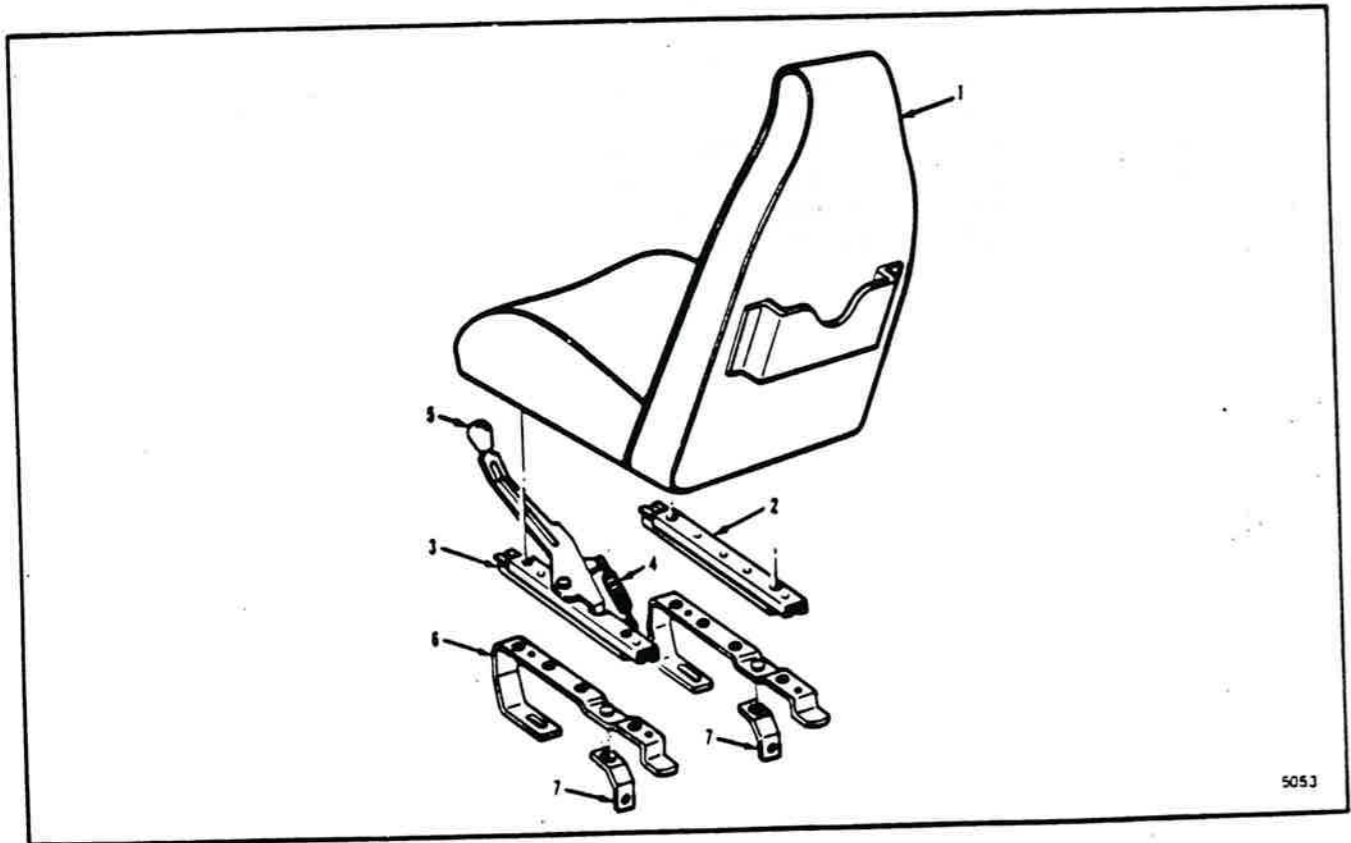
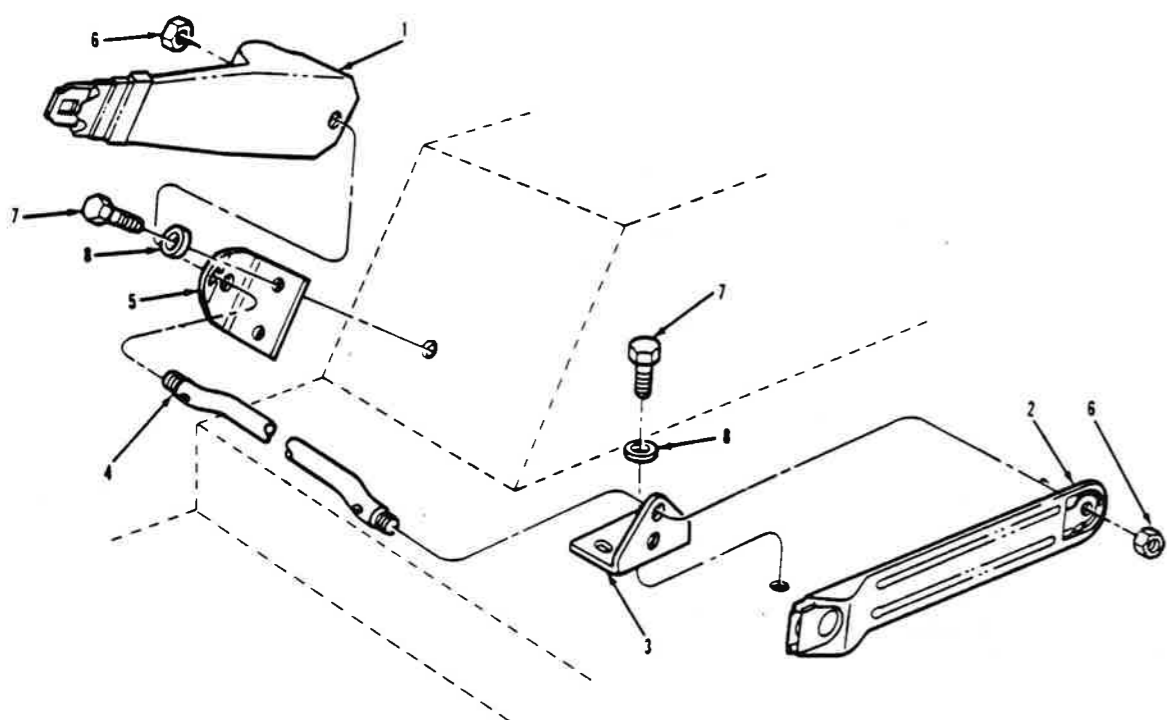


Figure 14-8 Seat

AM General Corporation

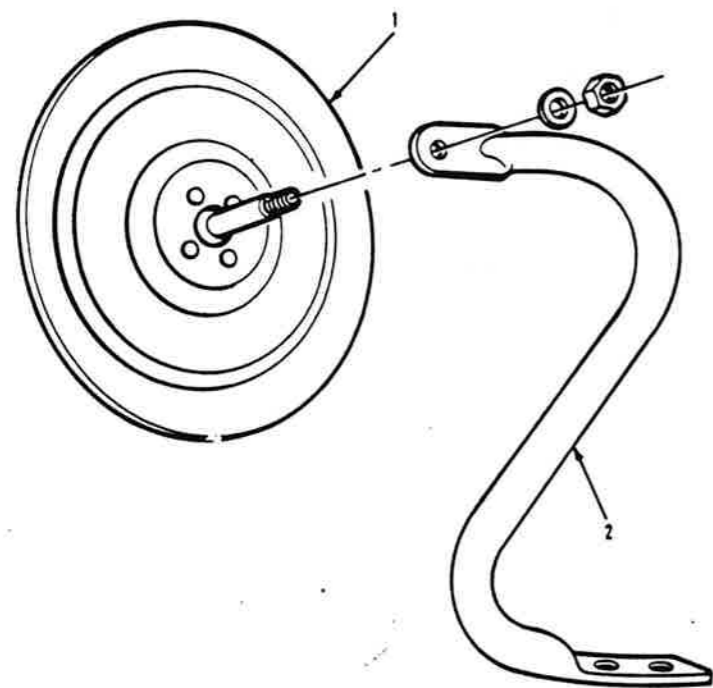
Item	Part Number	Description	Quantity Per Vehicle	
			LHD	RHD
Figure 14-7 REAR DOOR				
1	N/S	Glass (Purchase Locally)	1	1
2	979139	Weather Seal, Rear Door Glass	1	1
3	5950470	Door Shell, Rear	1	1
4	980320	Prop Arm, Rear Door	1	1
5	980402	Weather Seal, Rear Door	1	1
6	5950941	Retainer, Lock Cylinder	1	1
7	5950472	Knob, Inside Rear Door	1	1
	5950473	Lock, Slide Bolt	1	1
8		Lock Case Assy, Rear Door	1	1
	5950830	Paddle Handle & Trigger Assy.	1	1
	5950831	Slide Bolt	1	1
	5950832	Spring, Drive	1	1
	5950833	Pivot Pin	1	1
	5950968	Lock Case	1	1
9	5950940	Kit, Lock Cylinder, Cam & Key	1	1
	5953405	Cam, Lock	1	1
10	980374	Nut, Prop Arm to Door (Push-on Type)	1	1
11	G-131421	Nut, Prop Arm Stop (Acorn Type)	1	1
Figure 14-8 SEAT				
1	5950112	Seat Assy, Drivers	1	1
2	980307	Adjuster Assy., Seat (w/o latch)	1	1
3	982394	Adjuster Assy., Seat (w/latch)	1	1
4	983552	Spring	1	1
5	983551	Knob	1	1
6	5950131	Support, Seat	2	2
7	5950133	Leg, Seat Support	2	2

AM General Corporation



5054

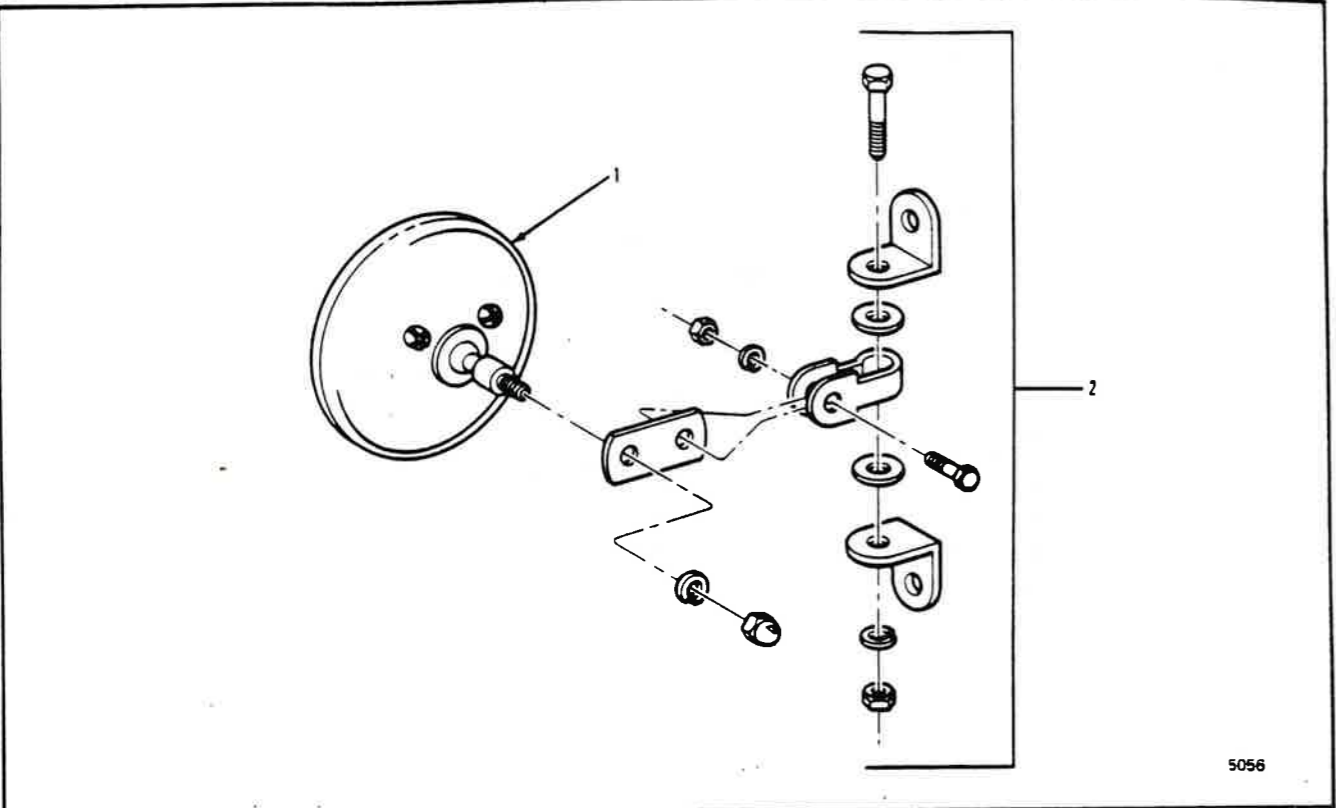
Figure 14-9 Seat Belts



5055

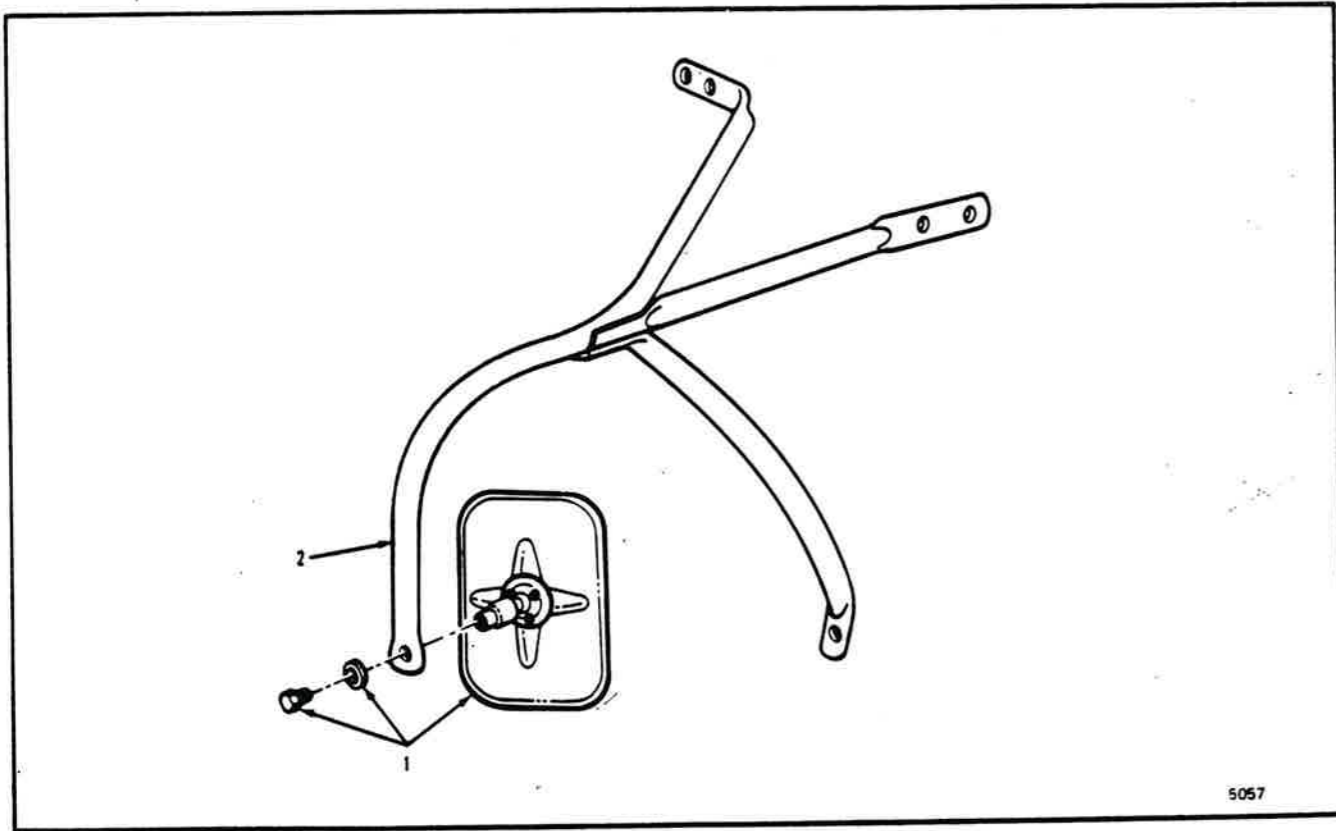
Figure 14-10 Convex Mirror, Fender Mount

Item	Part Number	Description	Quantity Per Vehicle	
			LHD	RHD
Figure 14-9 SEAT BELTS				
	982859	Seat Belt Assy. (LHD)	1	
	982858	Seat Belt Assy. (RHD)		1
1	980633	Seat Belt Assy. Less Shaft	1	1
	980632	Seat Belt & Retractor Assy.	1	1
	5950750	Cover, Retractor	1	1
2	980629	Safety Strap Buckle & Boot Assy.	1	1
3	980625	Bracket, Seat Belt Mtg. Inboard	1	1
4	982845	Shaft, Cross, Seat Belt Mtg.	1	1
5	980873	Bracket, Seat Belt Mtg., Outboard	1	1
6	N/S	Locknut	2	2
7	N/S	Bolt	2	2
8	5953489	Stop, Seat Belt	1	1
	N/S	Washer, Flat	2	2
Figure 14-10 CONVEX MIRROR, FENDER MOUNT				
1	5950487	Mirror, Convex	1	1
2	5950488	Mirror Support Assy, Left Side		1
	5950489	Mirror Support Assy, Right Side	1	



5056

Figure 14-11 Driver's Side Mirror



5057

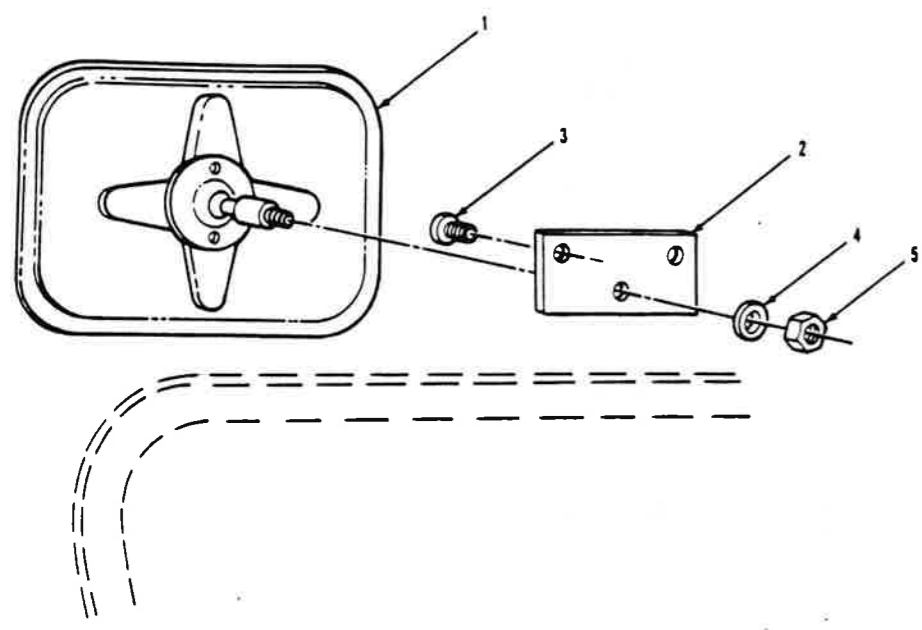
Figure 14-12 Passenger Side Mirror

AM General Corporation



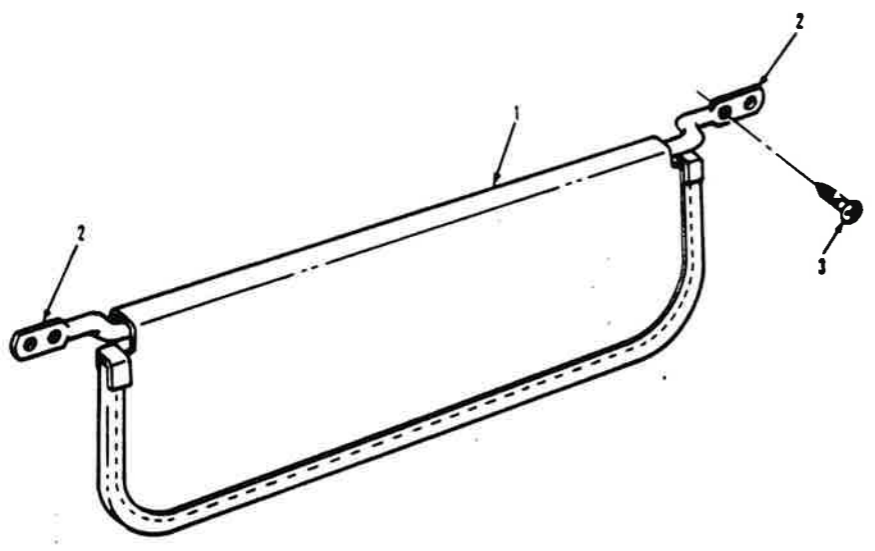
Item	Part Number	Description	Quantity Per Vehicle	
			LHD	RHD
Figure 14-11 DRIVER'S SIDE MIRROR				
1	5950476	Mirror Assy, Driver's Side	1	1
2	5950480	Mirror Mounting Bracket Assy.	1	1
Figure 14-12 PASSENGER SIDE MIRROR				
1	5953019	Passenger Side Mirror Assy	1	1
2	5953015	Rear View Mirror Support Assy, Left		1
	5953016	Rear View Mirror Support Assy, Right	1	

AM General Corporation



5210

Figure 14-13 Inside Mirror



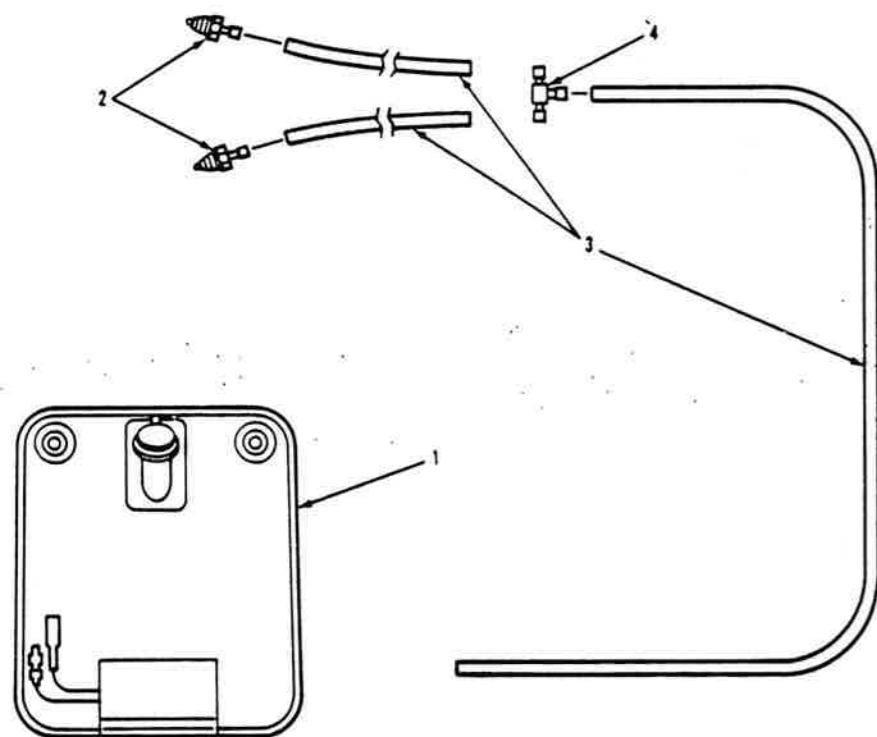
5117

Figure 14-14 Sun Visor

AM General Corporation

Item	Part Number	Description	Quantity Per Vehicle	
			LHD	RHD
Figure 14-13 INSIDE MIRROR				
1	5953014	Inside Mirror Assy	1	1
2	N/S	Bracket, Inside Mirror	1	1
3	N/S	Bolt	2	2
4	N/S	Washer	1	1
5	N/S	Nut	1	1
Figure 14-14 SUN VISOR				
1	982167	Sun Visor	2	2
2	982166	Rod, Support	4	4
3	N/S	Screw, Tapping	8	8

AM General Corporation



1803-2

Figure 14-15 Windshield Washer

AM General Corporation



Item	Part Number	Description	Quantity Per Vehicle	
			LHD	RHD
		Figure 14-15 WINDSHIELD WASHER		
	5950759	Kit, Windshield, Washer, Service.		1
1		Consists Of:		
2		Reservoir and Pump		1
3		Nozzles (One 2-Jet and Two Single Jet)		3
4		Hose		1
NI		Tee		1
NI		Reservoir Bracket		1
NI	5950792	Nozzle, Single Jet (Package of 10)		AR

AM General Corporation

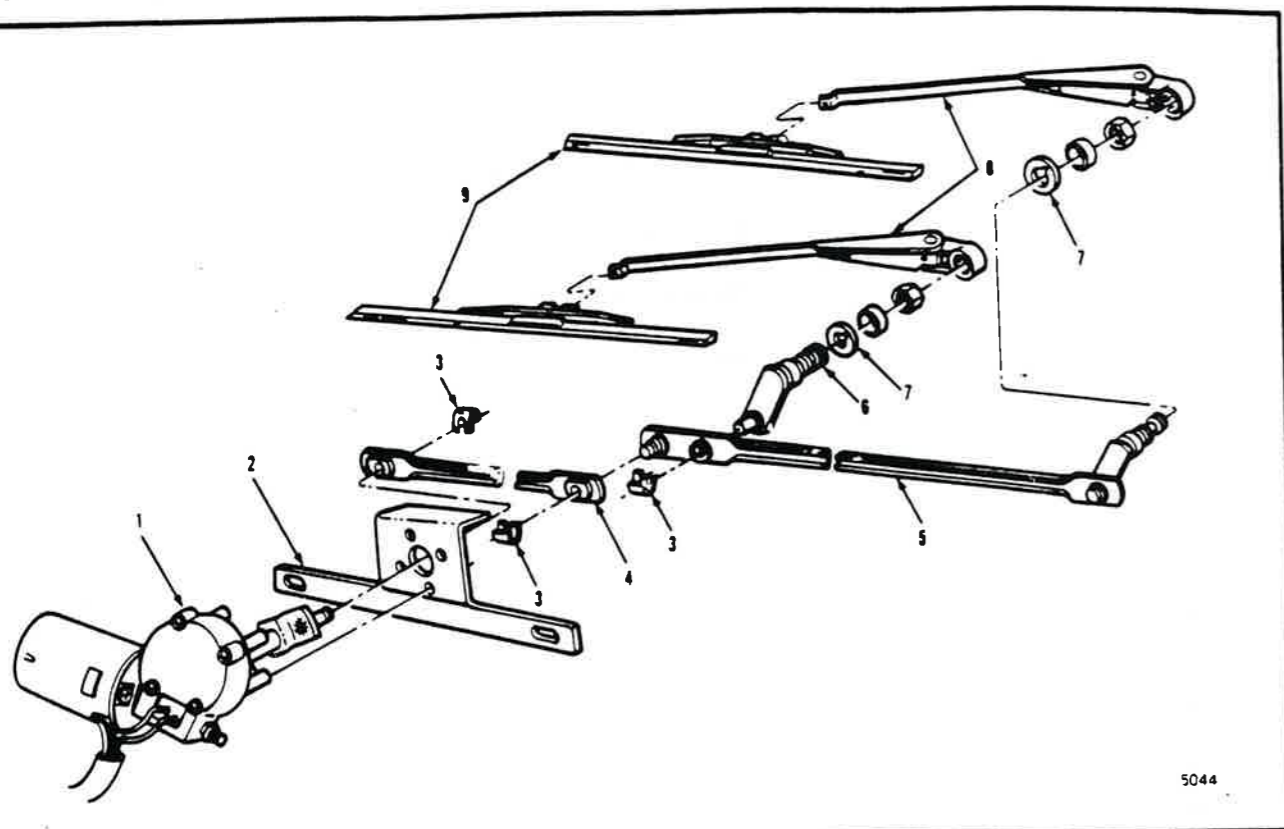


Figure 14-16 Windshield Wiper

5044

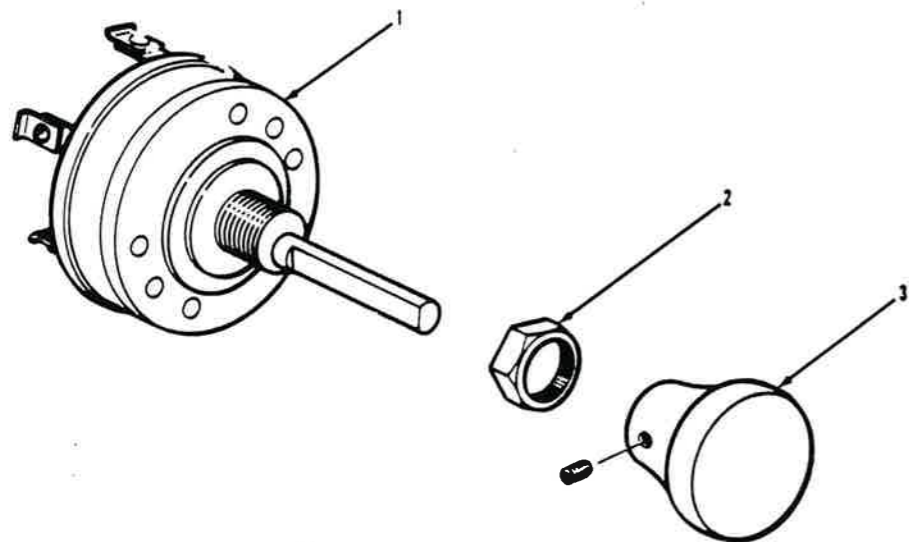
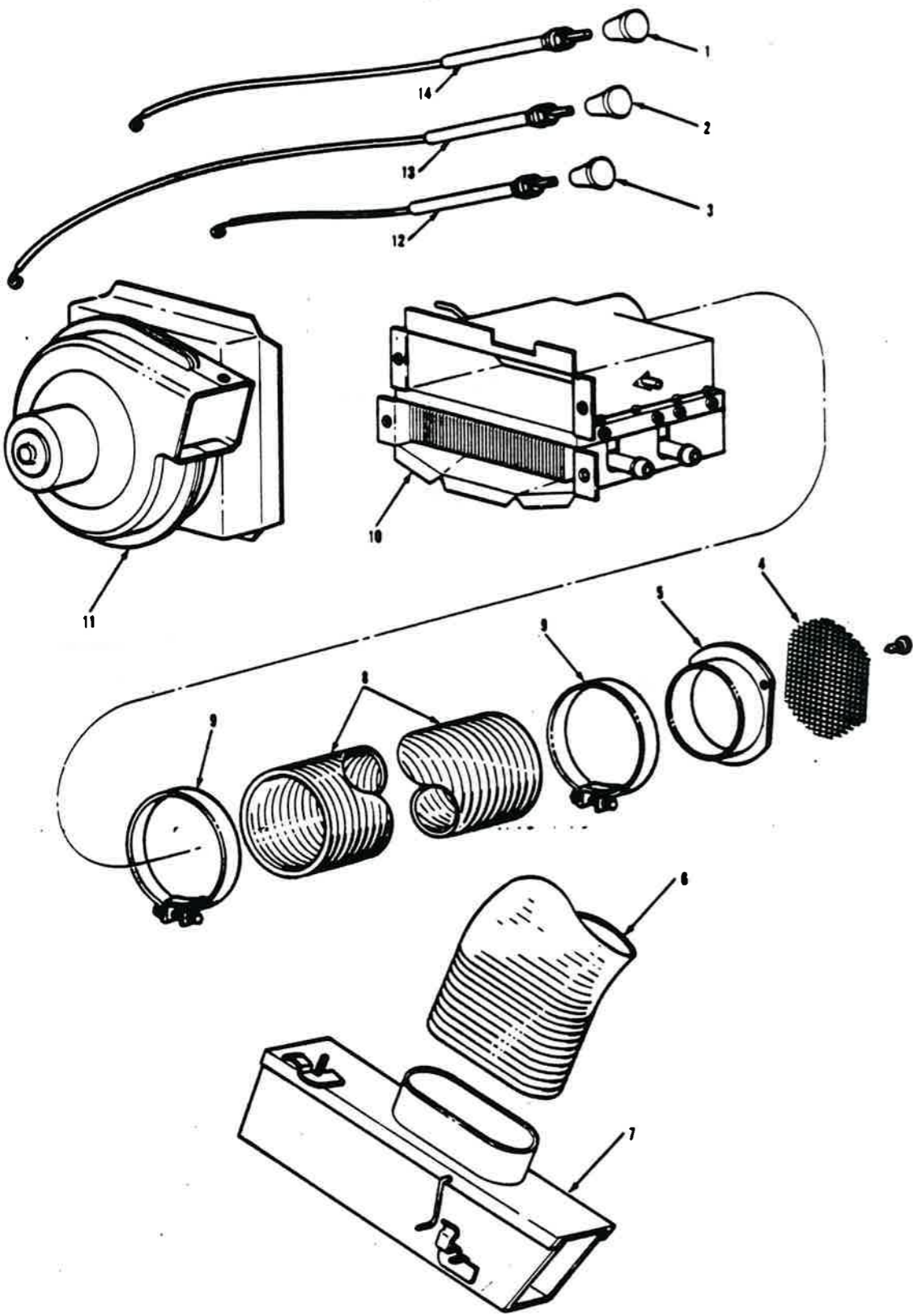


Figure 14-17 Windshield Wiper and Washer Switch

5045

Item	Part Number	Description	Quantity Per Vehicle	
			LHD	RHD
Figure 14-16 WINDSHIELD WIPER				
1	5900646	Motor, Windshield Wiper	1	1
2	5950459	Bracket.....	1	1
3	957868	Retainer.....	3	3
4	977918	Link.....	1	1
5	5450662	Body Assy, Pivot (R.H.) (Includes Connecting Link).....	1	1
6	5450661	Body Assy, Pivot (L.H.)	1	1
7	973658	Gasket	1	1
8	979281	Arm Assy.....	2	2
9	982444	Blade Assy.....	2	2
	5997101	Refill, Wiper Blade Element.....	2	2
Figure 14-17 WINDSHIELD WIPER AND WASHER SWITCH				
1	5900663	Switch, Push-Pull/Rotary	1	1
2	N/S	Nut, Retaining (3/8 - 24)	1	1
3	943924	Knob and Set Screw	1	1



5111

Figure 15-1 Heater and Defroster

AM General Corporation

Item	Part Number	Description	Quantity Per Vehicle	
			LHD	RHD
Figure 15-1 HEATER & DEFROSTER				
1	694045	Knob, Air Control	1	1
2	694047	Knob, Temperature Control	1	1
3	694046	Knob, Defroster	1	1
4	N/S	Screen, Air Duct	1	1
5	997810	Collar, Heater Air Intake	1	1
6	983496	Hose, Defroster	1	1
7	982549	Heat Distributor Assembly	1	1
8	975912	Tube, Air Duct Intake	1	1
9	N/S	Clamp, Hose	2	2
10	997554	Heater Assembly	1	1
	5950755	Core Assy., Heater	1	1
11	997555	Blower Assembly (Includes Motor)	1	1
	983549	Motor, Heater Blower	1	1
12	980260	Bowden Wire, Defroster	1	1
13	980261	Bowden Control, Temperature	1	1
14	5900529	Bowden Wire, Air Control	1	1
	5900530	Switch, Heater - Toggle	1	1
	3188840	Hose, Heater Water (Special)	1	1

AM General Corporation

Part Number	Description
ENGINE AND ELECTRICAL TOOLS	
C-385	Piston Ring Compressor (3-3/4")
C-647	Valve and Clutch Spring Tester
C-3160	Hydraulic Valve Lifter Tester
C-3339	Dial Indicator Set (0-1" in .001" graduations)
C-3427	Valve Guide Reamer
C-3430	Valve Guide Reamer
C-3747	Power Valve Socket
C-3748	Main Jet Remover and Installer
C-3915	Snap Ring Pliers
C-4161	Universal Carburetor Gauge Kit
J-1137	Bending Tool
J-5496	Bending Tool
J-5790	Hydraulic Valve Lifter Tester
J-5959-4	"C" Clamp and Rod Extension
J-6042-1	Valve Guide Reamer
J-8028	Piston Ring Remover and Installer (3-3/4")
J-8056	Valve Spring Tester
J-8520	Dial Indicator Set
J-8592	Driver Handle (Used also for transmission service)
J-9256	Timing Chain Oil Seal Remover
J-9614-01	Oil Filter Remover
	Screw, Front Cover Crankshaft Seal Installer - Part of J-9163
J-7316-1	Belt Strand Tension Gauge
J-10185	Needle Seat Remover and Installer
J-21008	Diode (Continuity Light)
J-21053	Field Jumper Wire
J-21154	Alternator Bearing Installer
J-21155	Alternator Bearing Remover
J-21156	Alternator Rotor Remover
J-21202	Step-up Rod Retainer Installer
J-21791	Vibration Damper Remover
J-21872	Piston Pin Remover and Installer
J-21882	Oil Pump Inlet Tube Installer
J-21884	Hydraulic Valve Tappet Remover and Installer
H-21890	Cell Rate Tester
J-21931-2	Valve Spring Remover and Installer
J-22248	Timing Chain Cover Alignment Tool and Seal Installer
J-22516	Starter Pole Screw Wrench
J-22727	Electric Terminal Remover
J-23111	PCV Valve Tester
J-25097	Sensor Locking Screw Removal Tool
J-25331	Pulse Simulator Tester
SP-5427	C-Clamp and Rod Extension

Part Number	Description
TRANSMISSION TOOLS	
J-2619	Slide Hammer
J-4830-02	Rear Oil Seal Remover
J-5880-8	.250" Gauge Block
J-5886-01	Rear Clutch Spring Compressor
J-8400-11	Stator Support Rear Bushing and Output Bushing Installer
J-8592	Driver Handle
J-9617	Rear Oil Seal Installer
J-9618	Bearing Retainer Bushing Remover and Installer
J-21232	Puller
J-21984	Front Oil Seal Installer
J-21054-2	Case Rear Bushing Remover and Installer
J-22182	Pump Body Bushing Remover and Installer
J-22205	Front Pump Oil Seal Remover (Use with J-21232)
J-22698	Rear Band Adjusting Tool
J-23499	Solenoid Tester
AXLE AND PROPELLER SHAFT TOOLS	
1	C-3281 Universal Joint Flange Holding Wrench
2	C-3313 Propeller Pin Remover, Installer and Centering Tool
3	C-4142 Splitter
4	W-99DL Pinion and Ring Gear Setting Gauge (Includes dial indicator set)
5	W-100 Bearing Cup Installer
6	W-104BL Roller bearing puller set includes: W-104 Puller W-104-21 Adapter SP-1100 Extension C-293-18 Adapter
7	W-126 Driver
8	W-129 Differential Carrier Housing Spreader
9	W-144 Wheel Bearing Adjusting Nut Wrench (2-1/8")
10	W-147 Pinion Shaft Oil Seal Driver
11	W-172 Universal Joint Flange Puller
12	W-186 Driver
13	W-188 Differential Case Bearing Cone Driver
14	W-251 Pinion Shaft Oil Seal Puller
15	W-262 Pinion Inner Bearing Cone Installing Sleeve
16	W-344 Double End Pinion Inner Bearing Cup Installer
STEERING TOOLS	
J-22569	Steering Shaft Snap Ring Remover and Installer
W-365	Steering Wheel Puller (Use with SP-5574)
<p>These special tools or their equivalent, if not obtainable through a local source, are available through the following outlet:</p> <p>Miller Special Tools 32615 Park Lane Garden City, Michigan 48135</p>	

ALPHABETICAL INDEX

Description	Figure No.	Description	Figure No.
Window Lock	14-6	Brake Tube Assy. (Left Rear)	11-6
	11-3	Brake Tube Assy. (Right Rear)	11-6
t. Distributor	5-4	Brake Warning Valve	11-6
den Control, Temperature	15-1	Breather	6-1
den Wire, Air Control	15-1	Brush	5-1
den Wire, Defroster	15-1	Brush Holder Assy.	5-2
r, Roof	14-5	Brush, Horn	10-6
ce, Frame (LH)	12-1	Brush, Horn Assy.	10-6
ce, Frame (RH)	12-1	Brush Kit	5-3
ce, Signal lamp	5-8	Bulb	5-16
cket	6-15	Bulb (Trade No. 1156)	5-8
cket, Air Cleaner (A & B)	2-3	Bulb (Trade No. 1895)	5-8
cket, Air Cleaner (C)	2-3	Bumper and Crossmember Assy, Rear	12-1
cket, Alternator Mtg.	5-2	Bumper Assy, Door Striker	14-5
cket, Alt. Mtg., Front	5-1	Bumper Axle	12-1
cket, Alt. Mtg., Rear	5-1	Bumper, Door Striker	14-4
cket and Strap, Canister Mountint	2-1	Bumper, Front	12-1
cket Assy, Pedal Shaft Retainer	11-7	Bumper, Hood to Fender	14-2
cket Assy, Rear Shock Absorber	12-1	Bumper, Rear Door Prop Arm	14-5
cket, Battery Hold Down	5-23	Bumper, Window	14-6
cket, Canister	2-2	Bushing	5-3
cket, Condenser	5-4	Bushing, Axle End	8-1
cket, Exhaust Pipe	3-1	Bushing, Body	6-6
cket, Exh. Pipe Supt., Lower	3-1	Bushing, Front	13-2
cket, Exh. Pipe Supt., Upper	3-1	Bushing, Front Pump	6-6
cket, Filler Neck	2-1	Bushing, Oil Pump to Cylinder Block	1-8
cket Filler Tube	6-1	Bushing, Output Shaft	6-30
cket, Foot Rest	14-4	Bushing, Pitman Shaft	10-4
cket, Front Shock Absorber to Frame	12-1	Bushing, Rear	13-2
cket, Front Support Left	1-11	Bushing, Rear Adapter	6-1
cket, Front Support Right	1-11	Bushing, Rear Shackle	13-2
cket, Hood Catch	14-2	Bushings	1-12
cket, Inside Mirror	14-13	Bushing, Spring	13-1
cket, Instrument Light	5-24	Button	6-15
cket, Kickdown Switch	2-7	Button and Spring Assemblies	7-2
cket, License Plate Mtg.	5-18	Cable Assy, Accelerator	2-7
cket, Master Cylinder Support	11-6	Cable, Battery Negative to Ground	5-23
cket, Mounting	5-19	Cable, Battery Positive to Starter	
cket, Mounting, Ammeter	5-24	Solenoid	5-23
cket, Mounting, Oil Pressure Gauge	5-24	Cable, Hand Brake	11-1
cket, Reservoir	4-1	Cable, Solenoid to Starter Motor	5-23
cket, Seat Belt Mtg. Inboard	14-9	Cable, Speedometer	5-24
cket, Seat Belt Mtg., Outboard	14-9	Cam, Advance and Breaker	5-4
cket & Shaft Assy.	6-15	Cam, Fast Idle	2-3
cket, Solenoid Bracket (C)	2-3	Cam, Lock	14-7
cket, Spring Shackles, Front to Frame	12-1	Camshaft & Dowel Pin Assy (A & C)	1-7
cket, Steer. Gear Mounting	10-5	Camshaft & Dowel Pin Assy (B)	1-7
cket, Steering Damper To Rod	10-3	Canister, Fuel Vapor	2-1
cket, Steering Gear Mounting	10-4	Cap	5-5
cket, Support	6-33	Capacitor	5-2
ake Assy, Front Left	11-2	Cap Assy, With Safety Chain	2-2
ake Assy, Front Right	11-2	Cap (B)	1-2
ake Assy, Rear Left	11-2	Cap, Bearing	9-1
ake Assy, Rear Right	11-2	Cap, Chain and Loop Assy	2-1
ake Drum Assy	8-2	Cap, Distributor	5-4
ake Hose Assy, Front Axle to Frame	11-6	Cap, Dust	7-1
ake Hose Assy, (Rear)	11-6	Cap Horn	10-6
ake Tube Assy	11-6	Cap, Horn Button	10-6

ALPHABETICAL INDEX

Description	Figure No.	Description	Figure No.
Cap, Idle Mixture Screw Limiter	2-3	Connector	6-17
Cap, Lock Mounting	14-6	Connector, Bypass	1-10
Cap, Oil Filler (W/Seal)	1-6	Connector, Female	5-24
Cap, Oil Filter	1-5	Connector, Male	5-24
Cap, Reservoir	4-1	Connector, Vacuum Tube to Manifold	6-3
Caps, Crankshaft Main Bearing	1-1	Contact Ring & Insulator	10-6
Capscrew	9-1	Contact Set	5-4
Carbon Button, Dist. Cap	5-4	Converter Assy	8-2
Carburetor Assy (A & B)	2-3	Core Assy., Heater	15-1
Carburetor Assy. (C)	2-3	Cotter Pin	10-1
Carrier, Planetary (Incl. Race And Snap Ring)	6-30	Counter Weight & Shaft	1-12
Case	6-1	Coupling & Lower Flange Assy.	10-6
Case, Differential	9-1	Cover	5-3
Case Rear Bushing Remover and Installer	15-1	Cover, Access, Sliding Door	14-6
Catch Assembly, Hood	14-2	Cover Assy.	10-5
Catch, Side Door	14-3	Cover Assy, Valve Rocker Arm	1-6
"C" Clamp and Rod Extension	15-1	Cover, Brake Cylinder Inspection (LHD)	14-4
Cell Rate Tester	15-1	Cover, Brake Cylinder Inspection (RHD)	14-4
Chain, Timing	1-7	Cover, Gas Tank Gauge Access	14-4
Circuit Breaker, W/S Wiper	5-21	Cover, Gear Carrier	9-1
C-293-18 Adapter	15-1	Cover, Housing	8-2
C-Clamp and Rod Extension	15-1	Cover, Oil Pump	1-8
Clamp	2-5	Cover, Retractor	14-9
Clamp, Bearing	7-2	Cover & Seal Assembly (A & B)	1-7
Clamp, Brake Conduit	11-1	Cover & Seal Assembly (C)	10-4
Clamp, Exhaust Pipe Support	3-1	Cover, Side	10-4
Clamp, Exhaust Pipe to Muffler	3-1	Cover, Valve Rocker Arm	1-5
Clamp, Fuel Line Connection Hose	2-2	Cover, Wheel Hub	8-2
Clamp, Hose	2-2	Cowl Panel Assy.	14-3
Clamp, Hose, Fuel Pump Connection	2-1	Cowl Panel Assy, Left Side	14-3
Clamp, Hose Type "C"	4-1	Cowl Panel Assy, Right	14-4
Clamp, Hose Type "E"	4-1	Cowl Panel Assy, Right Side	14-3
Clamp, Large	7-2	Cowl, Pillar Assy, Left	14-4
Clamp, Small	7-2	Cowl, Pillar Assy, Right	14-4
Clamp, Tailpipe Support	3-1	Cowl Vent Door Assy.	14-5
Clamp, Tailpipe to Muffler	3-1	Crankshaft	1-3
Clip	6-17	Crankshaft Assy	1-3
Clip, Accelerator Rod Mounting	2-7	Cross	7-2
Clip (Brake Tube)	11-6	Crossmember Assy, Front Engine Mounting	12-1
Clip, Parking Brake Linkage Rod	8-5	Crossmember, Trans. Mounting (w/M-11 Trans.)	12-1
Clip, Shoe Guide	11-2	Cup	11-3
Clip, Spring Lock	11-6	Cup, Bearing	9-2
Cluster Assembly, Instrument	5-24	Cup, Bearing, Inner Pinion	9-1
Clutch Assy	6-12	Cup, Bearing, Outer Pinion	9-1
Coil and Cover Assy, Choke (A & B)	2-3	Cup, Contact	10-6
Coil, Ignition (A & B)	5-6	Cup, Secondary Piston	11-4
Coil, Ignition (less Bracket) (C)	5-6	Cushion, Engine Front Support (A & B)	1-11
Coil Set	5-3	Cushion, Engine Front Support (C)	1-11
Collar	5-2	Cushion, Rubber	10-3
Collar, Heater Air Intake	15-1	Cylinder	6-10
Column and Worm	10-5	Cylinder Block	1-1
Column, Steering	10-6	Cylinder Block Assy. (A & B)	1-1
Condenser	5-4	Cylinder Block Assy. (C)	1-1
Conductor, Light	5-24	Cylinder Head	1-2
Cone, Front Wheel Bearing, Inner	8-2	Cylinder Head Assy (Less Valves) (A)	1-2
Cone, Front Wheel Bearing, Outer	8-2	Cylinder Head Assy (Less Valves) (B)	1-2

ALPHABETICAL INDEX

Description	Figure No.	Description	Figure No.
Cylinder Head Assy (Less Valves) (C)	1-2	Fan Blade Assy.	4-1
Camper, Steering	10-3	Fender, Front Left	14-1
Camper, Vibration	1-3	Fender, Front Right	14-1
Camper, Vibration (C)	1-3	Field Jumper Wire	15-1
Deflector, Oil (B)	1-2	Filler Tube Assy.	6-1
Deflector, Valve Stem	1-2	Filter Assy, Fuel Tank	2-1
Oil Indicator Set	15-1	Filter, Canister	2-1
Oil Indicator Set (0-1" in .001" graduations)	15-1	Filter Element	2-5
Differential Assy.	9-2	Filter Element, PVC (A & B)	2-5
Differential Carrier Housing Spreader	15-1	Filter, Fuel Tank	2-2
Differential Case Bearing Cone Driver	15-1	Fitting, Lube	10-2
Diode (Continuity Light)	15-1	Fitting, Lubrication	8-1
Diode (Negative)	5-1	Flange	5-3
Diode (Positive)	5-1	Flange, Companion	6-29
Diode Trio	5-2	Flange Coupling	10-4
Dipstick	6-1	Flange, Exhaust Pipe to Manifold	3-1
Disc and Plates	9-2	Flasher, Directional	5-19
Disc, Contact	10-6	Flasher, H.D. Thermal	5-20
Distributor Assy	5-4	Float Assembly	2-3
Dome Lamp Assy	5-14	Forward Sun Gear Assy.	6-12
Door Assy, Left	14-6	Frame	5-3
Door Assy, Right	14-6	Frame Assy, Complete	12-1
Door Shell, Rear	14-7	Front Axle Assembly (less tie rod, links, brushes and drums)	8-1
Double End Pinion Inner Bearing Cup Installer	15-1	Front Floor Pan Assy. (LHD)	14-4
Downs, Converter Housing	1-1	Front Floor Pan Assy. (RHD)	14-4
Drain Cock, Radiator	4-1	Front Oil Seal Installer	15-1
Draw Key, Heavy	8-1	Front Pump Oil Seal Remover (Use with J-21232)	15-1
Draw Key, Light	8-1	Front Servo Assy	6-7
Drive Assy.	5-3	Front Signal Lamp Assembly, Left Hand	5-8
Driver	15-1	Front Signal Lamp Assembly, Right Hand	5-8
Driver Handle	15-1	Front Spring and Bushing Assy	13-1
Driver Handle (Used also for transmission service)	15-1	Fuel Pump	2-1
Drum Assy	6-13	Fuel Pump Assy.	2-2
Drum, Brake, Rear	9-1	Fuel Pump Assy. (A & B)	2-4
Drum, Rear Clutch (Incl. Bearings)	6-31	Fuel Pump Assy. (C)	2-4
Dual Horn Assy	5-22	Fusible Link	5-26
Duct, Hot Air	2-5	Gasket	2-2
Dust Cover	10-1	Gasket And Seal Set, Overhaul	6-19
Dust Cover (Boot)	7-2	Gasket, Body Flange	2-3
Elbow	6-17	Gasket, Bowl Cover and Air Horn	2-3
Elbow, PCV Filter Hose	1-6	Gasket, Carrier Cover	9-1
Elbow, Short Hose To Radiator	6-33	Gasket, Coil Housing	2-3
Elbow, Trans. To Cooler Tubes	6-33	Gasket, Cover	1-5
Electric Terminal Remover	15-1	Gasket, Cylinder Head	1-2
End, Commutator	5-3	Gasket, Filler Tube	6-1
End, Drive	5-3	Gasket, Flange (A & B)	2-3
Engine Assy, Short (A)	1-1	Gasket, Flange (C)	2-3
Engine Assy, Short (B)	1-1	Gasket, Front Cover (A & B)	1-7
Engine Assy, Short (C)	1-1	Gasket, Front Cover (C)	1-7
Equalizer, Cable	11-1	Gasket, Fuel Gauge to Tank	2-1
Extension, "B" Pillar to Left Rear Rocker	14-5	Gasket, Insulator to Manifold	2-3
Extension "B" Pillar to Right Rear Rocker	14-5	Gasket, Intake to Exhaust Manifold	1-12
Extension Housing	6-11	Gasket, Int. Manifold to Cylinder Head	1-12
Fan	5-1	Gasket, Lens	5-8
		Gasket, Needle Seat	2-3

ALPHABETICAL INDEX 5

Description	Figure No.	Description	Figure No.
Gasket, Oil Pan	6-1	Harness Assembly, Wiring, Chassis (w/M-11 Trans)	5-26
Gasket, Oil Pan, Front	1-9	Harness Assembly, Wiring, Chassis (W/M-43 Trans)	5-26
Gasket, Oil Pan, Left	1-9	Headlamp Assembly	5-7
Gasket, Oil Pan, Rear	1-9	Heat Distributor Assembly	15-1
Gasket, Oil Pan, Right	1-9	Heater Assembly	15-1
Gasket, Oil Pump	6-6	Hinge, Hood	14-2
Gasket, Oil Pump Cover	1-8	Hood Assembly	14-2
Gasket, Oil Pump to Block	1-8	Hood & Bracket, Conductor & Lens	5-24
Gasket, Rear Adapter	6-1	Horn, Air	2-3
Gasket Set, Engine Overhaul (A & B)	1-1	Hose	14-15
Gasket Set, Engine Valve Grind (A & B)	1-1	Hose (15.0" Long)	6-17
Gasket Set, Engine Valve Grind (C)	1-1	Hose (9.0" Long)	6-17
Gasket Set, Lower (C)	1-1	Hose, Air Cleaner to Valve Cover	1-6
Gasket Set, Oil Pan	1-9	Hose Assy, Lower (A & B)	4-1
Gasket, Side Cover	10-4	Hose Assy, Lower (C)	4-1
Gasket, Speedometer Cable to Trans.	5-24	Hose, Canister to PCV Tee	2-1
Gasket, Thermostat	4-1	Hose, Connecting, Filler Pipe to Tank	2-1
Gasket, Water Pump	4-1	Hose, Connection	2-2
Gauge Assy, Fuel Tank	2-1	Hose, Connection, Fuel to Pump	2-1
Gauge, Fuel	5-24	Hose, Defroster	15-1
Gauge, Oil Pressure	5-24	Hose, Expansion Tank To Canister	2-2
Gauge, Tank Unit	2-2	Hose, Fuel Line	2-2
Gauge, Temperature	5-24	Hose, Heater Water (Special)	15-1
Gear	5-4	Hose, PCV To Intake Manifold	1-5
Gear and Parts Pkg.	5-5	Hose, PCV Valve to Manifold	1-6
Gear Assembly, Steering, Complete	10-4	Hose, Tube To Radiator, Long	6-33
Gear, Differential	9-2	Hose, Tube To Radiator, Short	6-33
Gear, Drive	6-6	Hose, Upper (A & B)	4-1
Gear, Driven	6-6	Hose, Upper (C)	4-1
Gear, Oil Pump Drive	1-8	Hose, Vacuum	6-3
Gear, Oil Pump Idler	1-8	Hose, Vent Tube to Expansion Tank	2-2
Gear, Pitman Shaft	10-4	Housing	5-1
Gear, Reverse Sun	6-13	Housing Assy, C/CS Vent Filter (C)	2-5
Gear, Ring	9-1	Housing, Converter	6-2
Gear, Speedometer Drive	6-12	Housing, Pump Diaphragm	2-3
Gear, Speedometer Driven	6-30	Housing, Thermostat (A & B)	4-1
Gear, Sun	6-30	Housing, Thermostat (C)	4-1
Glass	5-24	Housing, Universal Joint, Front	7-2
Glass & Lifter Channel Assy.	14-6	Hub	6-28
Glass (Purchase Locally)	14-6	Hub and Stud Assy, Front	8-2
Glass Run & Weatherstrip Assy.	14-6	Hub, Front Clutch	6-10
Governor Assy.	6-12	Hydraulic Valve Lifter Tester	15-1
Governor Assy (Complete)	6-30	Hydraulic Valve Tappet Remover and Installer	15-1
Grease Cover	7-2	Idle Solenoid Assy. (C)	2-3
Grease Slinger	5-2	Ignition Unit, Electronic (C)	5-6
Grille	14-1	Ignition Wire Set	5-4
Grommet	5-4	Indicator, Oil Level (Dipstick)	1-1
Grommet, C/Case Vent Valve	1-5	Input Shaft Assy	6-10
Grommet, Cover	1-6	Input Shaft Bushing	6-10
Grommet, Fuel Line to Expansion Tank	2-1	Insert	5-24
Grommet, Fuel Tank Filler Pipe	2-1	Inside Mirror Assy	14-13
Guide, Door to Lower Body	14-6	Instrument Panel Assy. (LHD)	14-4
Guide, Door to Lower Track	14-6	Instrument Panel Assy. (RHD)	14-4
Gusset, Side Panel to Body Brkt. Left	14-3	Insulator	3-1
Gusset, Side Panel to Body Brkt. Right	14-3	Insulator, Carburetor to Manifold (A & B)	2-3
Hand Brake, Lever Assy.	11-1		
Hanger Assy, Rear Spring	12-1		
Harness Assembly, Wiring, Body	5-25		

ALPHABETICAL INDEX

Description	Figure No.	Description	Figure No.
Actuator, Carburetor to Manifold (C)	2-3	Kit. Nut and Bolt, Connecting Rod	1-4
Actuator, Exhaust Pipe Support	3-1	Kit. Oil Pressure Gauge Line	5-24
Actuator W/Board Type Diode	5-1	Kit. Oil Pump Seal & Gasket	6-24
Adjuster, Low Speed	2-3	Kit. Output Shaft & Gear	6-30
Adjuster, Metering Rod	2-3	Kit. Park/Lock	6-23
Adjuster, Metering Rod	7-1	Kit. Piston And Cylinder Seal	6-28
Adjuster, Metering Rod	7-1	Kit. Planet Bearing	6-30
Adjuster, Insulator Link	5-24	Kit. Rear Brake Band Repair	6-27
Adjuster, Junction Block (Mtd. w/Starter Solenoid)	5-26	Kit. Rear Clutch Drum Repair	6-31
Adjuster, Side Door	14-6	Kit. Rear Servo Repair	6-26
Adjuster, Side Door	5-1	Kit. Rear Spring Clip (1 Side)	13-2
Adjuster, Side Door	1-3	Kit. Repair	11-3
Adjuster, Side Door	14-3	Kit. Repair, Master Cylinder	11-4
Adjuster, Side Door	1-3	Kit. Service, Side Cover	10-4
Adjuster, Side Door	10-5	Kit. Shift Selector	6-15
Adjuster, Side Door	6-29	Kit. Shim, Axle Drive Pinion	9-1
Adjuster, Side Door	6-11	Kit. Shim, Lash Adjuster	10-4
Adjuster, Side Door	6-30	Kit. Shock Absorber and Bushing	13-1
Adjuster, Side Door	11-2	Kit. Shock Absorber & Bushing	13-2
Adjuster, Side Door	11-2	Kit. Socket, Tube End, Left Hand Threads	10-2
Adjuster, Side Door	11-2	Kit. Socket, Tube End, Right Hand Threads	10-2
Adjuster, Side Door	2-3	Kit. Sorting Tray (Incl. mounting hardware)	14-4
Adjuster, Side Door	2-3	Kit. Steering Damper	10-3
Adjuster, Side Door	10-4	Kit. Steering Knuckle (For 1 end of Axle)	8-1
Adjuster, Side Door	6-12	Kit. Steering Universal Joint Repair	10-6
Adjuster, Side Door	7-2	Kit. Sun Gear Bearing	6-30
Adjuster, Side Door	6-15	Kit. Sun Gear O-Ring	6-30
Adjuster, Side Door	6-15	Kit. Tail & Stop Lamp Lens	5-18
Adjuster, Side Door	1-12	Kit. Tie Rod End (L.H. Threads)	10-1
Adjuster, Side Door	1-12	Kit. Tie Rod End (R.H. Threads)	10-1
Adjuster, Side Door	14-4	Kit. Tie Rod Tube	10-1
Adjuster, Side Door	9-1	Kit. Universal Joint	7-1
Adjuster, Side Door	9-2	Kit. Windshield, Washer, Service	14-15
Adjuster, Side Door	9-2	Knob	14-8
Adjuster, Side Door	5-19	Knob, Air Control	15-1
Adjuster, Side Door	9-2	Knob and Control Rod	5-10
Adjuster, Side Door	10-2	Knob and Set Screw	14-17
Adjuster, Side Door	9-1	Knob, Defroster	15-1
Adjuster, Side Door	7-2	Knob, Inside Rear Door	14-7
Adjuster, Side Door	6-27	Knob & Set Screw	5-20
Adjuster, Side Door	6-28	Knob, Temperature Control	15-1
Adjuster, Side Door	6-28	Knuckle and Brake Flange, Left	8-1
Adjuster, Side Door	6-25	Knuckle and Brake Flange, Right	8-1
Adjuster, Side Door	6-25	Lamp Assy, Marker/Reflector	5-16
Adjuster, Side Door	13-1	Lead, Primary	5-4
Adjuster, Side Door	7-2	Lead, Transmission Kickdown (w/M-11 Trans.)	5-26
Adjuster, Side Door	2-4	Leg, Seat Support	14-8
Adjuster, Side Door	2-2	Lens, Amber (Front)	5-8
Adjuster, Side Door	6-18	Lens, Amber (Rear)	5-8
Adjuster, Side Door	2-1	Lens, Clear	5-14
Adjuster, Side Door	6-30	Lens (Fan/Def/Air/Temp)	5-24
Adjuster, Side Door	10-6	Lens (Hazard/Wiper-Washer)	5-24
Adjuster, Side Door	5-17	Lens Package, Signal Lamp	5-9
Adjuster, Side Door	5-17	Lens, Red	5-18
Adjuster, Side Door	14-7		
Adjuster, Side Door	5-12		
Adjuster, Side Door	5-12		
Adjuster, Side Door	6-32		

ALPHABETICAL INDEX 7

Description	Figure No.	Description	Figure No.
Lens (Temp/Air/Def/Fan)	5-24	Master Cylinder Assy (Less Push Rod)	11-4
Lens (Wiper-Washer/Hazard)	5-24	Mirror Assy, Driver's Side	14-11
Lever	6-7	Mirror, Convex	14-10
Lever and Pin Assy, Parking Brake Left	11-2	Mirror Mounting Bracket Assy	14-11
Lever and Pin Assy, Parking Brake Right	11-2	Mirror Support Assy, Left Side	14-10
Lever And Shaft, Manual Control	6-32	Mirror Support Assy, Right Side	14-10
Lever Assembly, Toggle Lift	6-5	Modulator, Vacuum	6-3
Lever Assy, Manual Control	6-14	Motor, Heater Blower	15-1
Lever Assy, Manual Valve	6-14	Motor, Windshield Wiper	14-16
Lever, Choke	2-3	Mud Flap, Master Cylinder Protector	14-1
Lever, Manual And Park, Inside	6-32	Muffler	3-1
Lever, Park Brake Toggle	6-5	Needle and Seat Assembly	2-3
Lever, Park Brake Toggle Lift	6-23	Needle Seat Remover and Installer	15-1
Lever, Park Brake Torsion	6-5	Nozzle, Single Jet (Package of 10)	14-15
License Plate Lamp	5-18	Nozzles (One 2-Jet and Two Single Jet)	14-15
Lift, Window	14-6	Nut	5-1
Light Switch and Circuit Breaker	5-10	Nut, Adj. Screw	6-26
Line, Fuel Tank to Pump	2-1	Nut, Adjusting Screw	6-9
Link	14-16	Nut and Lockwasher	6-17
Link, Actuator	11-2	Nut And Lockwasher, No. 10-24	6-33
Link, Anchor End	11-2	Nut, Ball	10-4
Link, Park Brake Toggle	6-23	Nut, Hex Hd., & Lockwasher Assy	10-6
Link, Parking Brake Toggle	6-5	Nut, Jam	14-1
Link, Pump Connector	2-3	Nut, Lash	10-4
Link, Pump Lifter	2-3	Nut & Lockwasher Assy (1/4"-20), Alt. Term.	5-1
Lock Case	14-7	Nut, Mounting	5-12
Lock Case Assy, Rear Door	14-3	Nut, Panel	5-10
Lock Cyl. and Cam, Rear Door	14-3	Nut, Pinion	9-1
Lock Cyl., Ignition	14-3	Nut, Pitman Arm	10-4
Lock Cylinder & Key	14-6	Nut, Prop Arm Stop (Acorn Type)	14-7
Lock Cyl., Side Door	14-3	Nut, Prop Arm to Door (Push-on Type)	14-7
Lock Handle Assy, Inside	14-6	Nut, Retaining (3/8 - 24)	14-17
Lock Handle Assy, Outside	14-6	Nuts	13-1
Lock Nut	10-3	Nut, Solenoid Bracket (C)	2-3
Lock Set	14-3	Nut, Solenoid Lock (C)	2-3
Lock, Side Door	14-6	Nut, Special	6-29
Lock, Slide Bolt	14-7	Nut, Strap to Crossmember	2-2
Lock, Valve Spring Retainer	1-2	Nut, Tube, Choke Heater to Carb.	2-6
Lockwasher	1-7	Nut, Wheel Bearing	8-2
Lockwasher (1/4")	7-2	Nut, Wheel Stud	9-1
Lockwasher, Bracket To Block Bolt	6-33	Nut, Worm Bearing Adjuster Lock	10-4
Lockwasher, Oil Pump to Block Bolt	1-8	Oil Filter Assy (A & B)	1-10
Lockwashers	13-2	Oil Filter Assy (C)	1-10
Loop, Cap Retainer	2-2	Oil Filter Remover	15-1
Main Bearings, Upper & Lower for Front No. 2, 4, 5	1-3	Oil Pan Assy	6-1
Main Bearings, Upper & Lower for No. 3 (.001" US)	1-3	Oil Pan Assy (A & B)	1-9
Main Bearings, Upper & Lower for No. 3 (Std.)	1-3	Oil Pan Assy (C)	1-9
Main Body Assembly	2-3	Oil Pressure Line	5-24
Main Jet Remover and Installer	15-1	Oil Pump Assy	1-8
Main Shaft and Weight Plate	5-4	Oil Pump Inlet Tube Installer	15-1
Manifold Assembly, Exhaust (A & B)	1-12	Oil Seal	6-6
Manifold Assembly, Exhaust (C)	1-12	Oil Strainer	6-4
Manifold Assembly, Intake (A & B)	1-12	O-Ring	6-3
Manifold Assembly, Intake (C)	1-12	O-Ring, Clutch Drum	6-31
Marker/Reflector Assy (Amber)	5-15	O-Ring, Clutch Piston	6-31
		O-Ring, Down Shift Terminal	6-22
		O-Ring, Drum Seal	6-31

ALPHABETICAL INDEX

Description	Figure No.	Description	Figure No.
O-Ring, Front	8-24	Pin, Park Toggle Link	6-5
O-Ring, Knuckle Pin	8-1	Pin, Piston	6-25
O-Ring, Output Shaft	6-30	Pin, Pivot	6-25
O-Ring, Park Brake Lever Anchor	6-23	Pin, Shoe Guide	11-2
O-Ring, Park Torsion Lever Pin	6-23	Pin, Slotted Spring	14-6
O-Ring, Piston	6-26	Pin, Taper	6-23
O-Ring, Piston Front	6-25	Pin, Toggle	6-23
O-Ring, Piston Rear	6-25	Pin, Torsion Lever Park Brake	6-5
O-Ring, Sleeve	6-25	Pipe Assy, Fuel Tank Filler	2-2
O-Ring, Sun Gear, Front	6-30	Pipe, Exhaust	3-1
O-Ring, Sun Gear, Rear	6-30	Pipe, Fuel Tank	2-1
O-Ring, Terminal	6-4	Piston	6-7
O-Ring, Tube	6-24	Piston, Choke	2-3
Output Shaft Assy	6-12	Piston Pin Remover and Installer	15-1
Pad, Accelerator Rod Foot	2-7	Piston, Primary	11-4
Pad, Brake Pedal Cover	11-7	Piston Ring Compressor (3-3/4")	15-1
Pad, Brake Pedal, Draft	11-7	Piston Ring Remover and Installer (3-3/4")	15-1
Paddle Handle & Trigger Assy	14-7	Piston, Secondary	11-4
Pad, Mounting	5-17	Pivot Pin	14-7
Panel, Fuse	5-21	Pivot, Rocker Arm (A & C)	1-2
Panel, Rocker, "A" to "B" Pillar Extension	14-5	Planet Gears and Rear Drum Assy	6-12
Passenger Side Mirror Assy	14-12	Plate, Adjusting Cam	6-25
Pawl, Parking Brake	6-5	Plate, Anchor	11-2
PCV Valve Tester	15-1	Plate and Shaft Assy, Lt.	13-1
Pillar Assy, Rear Door Opening, Left	14-5	Plate and Support, Breaker	5-4
Pillar Assy, Rear Door Opening, Right	14-5	Plate Assembly, Coil Housing	2-3
Pilot Bushing	1-3	Plate, Backing, Front Left	11-2
Pin	5-3	Plate, Backing, Front Right	11-2
Pin, Anchor	6-9	Plate, Backing, Rear Left	11-2
Pin and Piston Assembly (.010" Oversize)	1-4	Plate, Backing, Rear Right	11-2
Pin and Piston Assembly (Standard)	1-4	Plate, Cam	6-7
Pin, Choke Piston	2-3	Plate, Cancelling	5-19
Pin, Cotter	8-2	Plate, Drive	6-2
Pin, Dowel	1-2	Plate, Driven	6-31
Pin, Float	2-3	Plate, EGR Restrictor (C)	3-1
Pin, Front Brake Band Anchor	6-27	Plate (External Teeth)	6-28
Pin, Gear	5-4	Plate, Ground	5-1
Pin, Grooved	1-12	Plate, Inner, Clutch	6-10
Pinion	9-1	Plate, Inner, Clutch	6-28
Pinion and Ring Gear Setting Gauge (Includes dial indicator set)	15-1	Plate, Internal Teeth	6-10
Pinion, Differential	9-2	Plate, Outer, Clutch	6-10
Pinion, Drive	9-1	Plate, Pressure	6-10
Pinion Inner Bearing Cone Installing Sleeve	15-1	Plate, Reinforcement	6-2
Pinion Shaft Oil Seal Driver	15-1	Plate, Scuff, Rear Door	14-5
Pinion Shaft Oil Seal Puller	15-1	Plate, Shaft Assy, Rt.	13-1
Pin, Knuckle, Steering	8-1	Plate, Spring Clip	13-2
Pin, Lever Pivot	11-1	Plate, Spring Shackle	13-1
Pin, Oil Pump Rel. Valve Spring Cotter	1-8	Plate, Spring Shackle	10-5
Pin, Park Brake Anchor Dowel	6-23	Plate, Steer. Gear Bracket Mounting	10-4
Pin, Park Brake Anchor Pin Retaining	6-23	Plate, Steering Gear Bracket Mounting	10-4
Pin, Park Brake Toggle Link	6-23	Plate, Thrust	6-12
Pin, Parking Brake Anchor	6-5	Plate, Transmission Floor	14-4
Pin, Parking Brake Toggle	6-5	Plate, Weight Hold Down	5-4
Pin, Park Lever Anchor	6-23	Plug	1-2
		Plug, Core	1-2
		Plug, Core	1-1
		Plug, Cylinder Block Drain	9-1
		Plug, Expansion	1-9
		Plug & Gasket, Oil Drain	1-1
		Plug, Oil Channel - Front	1-1

ALPHABETICAL INDEX 9

Description	Figure No.	Description	Figure No.
Plug, Oil Channel - Rear	1-1	Rear Turn Signal Lamp Assy	5-9
Plug, Oil Filter Bypass	1-1	Rear View Mirror Support Assy, Left	14-12
Plug, Pipe, Square Head	9-1	Rear View Mirror Support Assy, Right	14-12
Plug, Rear Machined Hole	1-1	Rectifier Bridge	5-2
Plug, Rivet	2-3	Refill, Wiper Blade Element	14-16
Plugs, Cylinder Block Core Hole	1-1	Reflector, Rear, Red	5-18
Plug, Shoe Adjusting Cover	11-2	Regulator	5-2
Plug, Stop Bolt	11-4	Reinforcement, Insulator	3-1
Plug, Vent, Filler	10-5	Relay, Horn	5-22
Plug, Welsh	2-3	Reservoir and Pump	14-15
Plunger, Oil Pump Release Valve	1-8	Reservoir Assy, Coolant Recovery	4-1
Point kit	5-3	Reservoir Bracket	14-15
Power Valve Socket	15-1	Retainer	2-3
Prop Arm, Rear Door	14-7	Retainer, Bypass Valve Spring	1-10
Propeller Pin Remover, Installer and Centering Tool	15-1	Retainer, Coil Housing	2-3
Propeller Shaft Assy	7-1	Retainer, Cup	11-4
Propeller Shaft (Used only with Model M-43)	7-2	Retainer, Cushion	10-3
Protector	11-4	Retainer, Driven Gear	5-24
Puller	15-1	Retainer, Governor Spring	6-30
Pulley	5-2	Retainer, Grommet	10-6
Pulley (2-5/8")	5-1	Retainer, Lock Cylinder	14-7
Pulley, Damper Accessory Drive	1-3	Retainer, Lower Bearing	10-4
Pulley, Fan and Water Pump (A & B)	4-1	Retainer, Oil Pump Release Valve Spring	1-8
Pulley, Fan and Water Pump (C)	4-1	Retainer, Oil Seal	9-1
Pulse Simulator Tester	15-1	Retainer, Park Brake Torsion Lever Pin	6-23
Pump Body Bushing Remover and Installer	15-1	Retainer, Parking Brake Lever	11-2
Pump, Diaphragm Assembly	2-3	Retainer, Pump Diaphragm Spring	2-3
Pump, Water (Incl. Gasket) (A & B)	4-1	Retainer, Push Rod	11-4
Pump, Water (Incl. Gasket) (C)	4-1	Retainer, Speedometer Gear	6-30
Push Rod, Master Cylinder (LHD)	11-4	Retainer, Spring	6-8
Push Rod, Master Cylinder (RHD)	11-4	Retainer, Toggle Pin	6-5
Push Rod, Modulator	6-3	Retainer, Upper Pump Spring	2-3
Race	10-4	Retainer, Valve Spring	1-2
Race and Bushing Assy	6-12	Retainer, Window Lock Bolt	14-6
Race, Bearing Assy	7-1	Ring	5-3
Race, Thrust Bearing	10-4	Ring, Lock	2-2
Radiator Assy, w/oil Cooler	4-1	Ring, Locking, Fuel Gauge	2-1
Radiator Cap Assy	4-1	Ring, Piston	6-13
Rail, Drip, "A" Pillar, LH	14-5	Ring, Rear Wheel Bearing Retainer	9-1
Rail, Drip, "A" Pillar, RH	14-5	Ring, Retainer	6-8
Rail, Roof and Drip, Left Rear Corner	14-5	Ring, Retaining	5-7
Rail, Roof & Drip, Right Rear Corner	14-5	Ring, Sealing	6-7
Rail, Roof, Rear	14-5	Ring Set, Piston (.010" Oversize)	1-4
Rail, Roof Side, Left	14-5	Ring Set, Piston (Standard)	1-4
Rail, Roof Side, Right	14-5	Ring, Snap	6-7
Rear Band Adjusting Tool	15-1	Ring, Snap, .055" Thick	6-30
Rear Bearing Retainer And Bearing Assy	6-29	Ring, Snap, .057" Thick	6-30
Rear Clutch Assy	6-13	Ring, Snap, .059" Thick	6-30
Rear Clutch Spring Compressor	15-1	Ring, Snap, Planetary Carrier	6-30
Rear Floor Pan Assy	14-4	Ring, Speedometer Gear Snap	6-30
Rear Oil Seal Installer	15-1	Ring, Spring	6-10
Rear Oil Seal Remover	15-1	Ring, Spring Bearing	6-10
Rear Servo Assy	6-8	Rocker Arm Shaft (B)	1-2
Rear Servo Assy (New)	6-26	Rod, Adjusting	11-1
Rear Servo Assy (Rebuilt)	6-26	Rod Assembly, Connecting	1-4
		Rod Assy, Shift (Kit 5950727)	6-15
		Rod Assy, Shift (Kit 5950947)	6-15
		Rod Bearings	1-3

ALPHABETICAL INDEX

Description	Figure No.	Description	Figure No.
od. Choke Connecting	2-3	Screw W/Board Type Diode	5-1
od. Manual Control	6-32	Seal	6-24
od. Metering	2-3	Seal. Bearing (Slip Ring End)	5-2
od. Parking Brake Linkage	6-5	Seal. Column	10-5
od. Support	14-14	Seal. Cover	1-7
od. Valve Push (A & C)	1-2	Seal (Cup)	5-3
od. Valve Push (B)	1-2	Seal. Drive Pinion	9-1
oller bearing puller set includes:	15-1	Seal. Dust	10-8
ool Panel Assy	14-5	Sealed Beam Unit	5-7
otor	5-1	Seal. Fresh Air Vent	14-5
afety Strap Buckle & Boot Assy.	14-9	Seal. Grease. Pitman Shaft	10-4
reen. Air Duct	15-1	Seal (In Housing)	5-4
reen. Oil	6-22	Seal. Lower Side Door	14-6
rew	5-2	Seal. Manifold to Exh. Pipe Flange	3-1
rew. 1-1/2"	6-26	Seal. Oil	9-1
rew. 2"	6-26	Seal. Oil. Front Hub	8-2
rew. Adj.	6-26	Seal Set (Set of 12)	1-2
rew. Adjusting	6-7	Seal. Shaft	10-5
rew. Adjusting. Curb Idle	2-3	Seal. Steering Shaft	10-4
rew. Adjusting (Front Left and Right ear)	11-2	Seal. Upper. Sliding Door Track (white)	14-5
rew. Adjusting (Front Right and Left ear)	11-2	Seat Assy. Drivers	14-8
rew. Air Cleaner Bracket	2-3	Seat. Bearing Spring	10-6
rew. Air Horn	2-3	Seat Belt Assy. Less Shaft	14-9
rew and Lockwasher	5-11	Seat Belt Assy. (LHD)	14-9
rew and Lockwasher Assy	1-5	Seat Belt Assy. (RHD)	14-9
rew. Body & Socket	5-17	Seat Belt & Retractor Assy.	14-9
rew. Breaker Plate Support	5-4	Seat. Spring	6-13
rew. Cap Attach (10-32)	5-4	Seat. Tube	11-4
rew. Cap Attach (8-32)	5-4	Sensor Assy. (Includes Two Gauges)	5-5
rew. Choke and Throttle Valve	2-3	Sensor. EGR Back Pressure (C)	3-1
rew. Choke Lever	2-3	Sensor Locking Screw Removal Tool	15-1
rew. Coil Housing (A & B)	2-3	Shackle Assy.	13-2
rew. Coil Housing (C)	2-3	Shaft	6-8
rew. Condenser Attaching	5-4	Shaft and Flange. Lower	10-8
rew. Contact Adjusting	5-4	Shaft and Governor Assy.	5-5
rew. Crank and Sleeve Assy (For Front	11-2	Shaft and Lever Assembly (w/Screws)	2-3
rew. Diaphragm Housing	2-3	Shaft Assy.	6-15
rew. Fast Idle	2-3	Shaft. Axle. Left	9-1
rew. Fast Idle Cam	2-3	Shaft. Axle. Right	9-1
rew. Front Cover Crankshaft Seal	15-1	Shaft. Brake Pedal	11-7
nstaller - Part of J-9163	2-3	Shaft. Cross-Lower	6-15
rew. Idle Mixture	14-6	Shaft. Cross. Seat Belt Mtg.	14-9
rew. Lock Cap & Handles	14-6	Shaft. Differential	9-2
rew. Lock to Lock Mtg. Cap	14-6	Shaft (Incl. Bushing & Plug)	6-30
rew & Lockwasher	1-9	Shaft. Oil Pump Idler Gear	1-8
rew & Lockwasher Assy. Lock Rod	14-6	Shank & Pad. Brake Pedal	11-7
rew. Mounting	5-18	Shield	5-1
rew. No. 10-24 x 5/8"	6-33	Shield Assy. Expansion Tank	2-2
rew. Rear Servo Adjusting	6-9	Shield. Expansion Tank	2-1
Screws	5-1	Shim (.002")	10-5
Screw. Side Cover Attaching	10-4	Shim (.005")	10-5
Screw. Side Door Catch to Floor	14-3	Shim (.010")	10-5
Screw. Spec. Hex 1/4 - 20 x 5/8 - Cover	1-8	Shims. Differential Bearing	9-2
Screw. Tapping	10-6	Shims. Differential & Pinion	9-1
Screw. Throttle Body	2-3	Shims. Pinion & Bearing Adjusting	9-1
Screw. Vac. Control Assy	5-4	Shim. Thrust Bearing (.003")	8-1
		Shim. Thrust Bearing (.010")	8-1
		Shock Absorber	13-1

ALPHABETICAL INDEX 11

Description	Figure No.	Description	Figure No.
Shroud	2-5	Spring Lever. Shoe Adjusting (For Front	11-2
Shroud. Exhaust Manifold Heat (3.38")	2-5	Spring. Oil Release Valve	1-8
Shroud. Exhaust Manifold Heat (9.58") (A & B)	2-5	Spring. Park Brake Release	6-23
Shroud. Exhaust Manifold Heat (C)	2-5	Spring. Park Brake Toggle Lever	6-5
Sleeve	5-3	Spring. Park Brake Toggle Lift Lever	6-23
Sleeve. Tube Nut	2-6	Spring. Parking Brake Release	6-5
Slide Bolt	14-7	Spring. Parking Brake Strut	11-2
Slide Hammer	15-1	Spring Pin (B)	1-2
Slinger. Oil. Bearing	6-29	Spring. Pump Diaphragm	2-3
Slinger. Oil Drive Pinion	9-1	Spring. Radiator Guard Hold Down	14-1
Slinger. Oil Sprocket	1-3	Spring. Residual Valve	11-4
Snap Ring	1-2	Spring. Retainer	10-6
Snap Ring Pliers	15-1	Spring. Retaining	6-5
Snap Wire	10-6	Spring. Secondary	11-4
Socket. Adjusting Screw	11-2	Spring. Shoe Return	11-2
Socket Assy.	10-2	Spring. Upper. Pump	2-3
Socket Assy - Left	10-2	Spring. Valve	1-2
Socket Assy - Right	10-2	Spring Washer (B)	1-2
Solenoid	6-22	Spring. Weight	5-4
Solenoid. Down-Shift	6-4	Sprint. Detent Ball	6-14
Solenoid. Starter Relay (C)	5-3	Sprocket. Camshaft	1-7
Solenoid Tester	15-1	Sprocket. Crankshaft	1-3
Spacer	5-1	Starter Pole Screw Wrench	15-1
Spacer. Center (B)	1-2	Starting Motor Assy.	5-3
Spacer. End (B)	1-2	Stator	5-1
Spacer. Fan	4-1	Stator Support Rear Bushing and Output Bushing Installer	15-1
Spacer. Front Spring*	13-1	Steering Arm	10-5
Spacer. Housing to Engine	6-2	Steering Gear Assy.	10-5
Spacer. Insulator to Clamp	3-1	Steering Shaft Assy. Upper	10-6
Spacer. Intermediate (B)	1-2	Steering Shaft Snap Ring Remover and Installer	15-1
Spacer. Mounting (Left Side)	5-8	Steering Wheel Puller (Use with SP-5574)	15-1
Spacer. Mounting (Right Side)	5-8	Step-up Rod Retainer Installer	15-1
Spacer. Pedal Cross Shaft. Inboard	11-7	Stop Assembly. Radiator Guard Hold Down	14-1
Spacer. Pedal Cross Shaft. Intermediate	11-7	Stop. Seat Belt	14-9
Spacer. Pedal Cross Shaft. Outboard	11-7	Strap. Fuel Tank Support	2-1
Spacer. Radiator Guard Hold Down	14-1	Striker. Left Door (Closed Position)	14-5
Speedometer	5-24	Striker. Left Door (Open Position)	14-5
SP-1100 Extension	15-1	Striker. Rear Door	14-5
Splitter	15-1	Striker. Right Door (Closed Position)	14-5
Spring	5-2	Striker. Right Door (Open Position)	14-5
Spring. Accelerator Return	2-7	Strut	6-27
Spring. Adjusting Screw	11-2	Strut. Front Band	6-9
Spring. Anti-Rattle	1-12	Strut. Parking Brake	11-2
Spring Assy	11-3	Strut. Rear Band Anchor	6-9
Spring. Bearing	10-6	Strut. Rear Band Apply	6-9
Spring. Bi-Metal	1-12	Stud	1-12
Spring. Brake Pedal Return	11-7	Stud Bolt. Front Cover (A & B)	1-7
Spring. Breaker Plate Retaining	5-4	Stud Bolt. Front Cover (C)	1-7
Spring & Bushing Assy.	13-2	Stud. Radiator Guard Hold Down	14-1
Spring. Bypass	1-10	Sun Visor	14-14
Spring. Check Valve. Converter Out	6-22	Support and Bushing Assy	6-6
Spring. Curb Idle Screw	2-3	Support Assy	14-4
Spring. Drive	14-7	Support. Center	6-12
Spring & Expander Assy	11-3	Support. Mounting (Left Side)	5-8
Spring. Fast Idle Screw	2-3		
Spring. Fresh Air Vent	14-5		
Spring. Idle Mixture Screw	2-3		

ALPHABETICAL INDEX

Description	Figure No.	Description	Figure No.
Support. Mounting (Right Side)	5-8	Tube (45.0" Long)	6-17
Support. Rear Shock Absorber, Outer	12-1	Tube, Air Duct Intake	15-1
Support. Seat	14-8	Tube and Loom Assy, Choke Heater	2-6
Switch, 4-Way	5-20	Tube and Loom Assy, Choke Heater to Carburetor (A & B)	2-6
Switch and Bracket Assy	6-15	Tube Assy	6-3
Switch, Brake Warning Valve Placement	11-5	Tube, Choke Heater (In Exhaust Manifold) (A & B)	1-12
Switch, Directional Signal	5-19	Tube, Choke Heater (In Exhaust Manifold) (C)	1-12
Switch, Headlamp Dimmer	5-11	Tube, Choke Heater (In Exh. Man.)	2-6
Switch, Heater - Toggle	15-1	Tube, Front Servo Apply	6-26
Switch, Push-Pull/Rotary	14-17	Tube, Front Servo Release	6-26
Switch, Starter Solenoid (A & B)	5-3	Tube, Indicator	1-1
Switch, Starting and Ignition	5-12	Tube, Rear Servo Piston	6-26
Switch, Stoplight	5-13	Tube, Screen and Bracket, Oil Pump Inlet	1-8
Switch, Trans. Kickdown	2-7	Tube, Trans. To Radiator, Long	6-33
Switch, Vacuum Ported (2-Tube) (C)	3-1	Tube, Trans. To Radiator, Short	6-33
Switch, Vacuum Ported (3-Tube)	5-5	U-Bolt	7-1
Sail and Stop Lamp Assy.	5-18	U-Bolts (Spring Clip)	13-1
Sailpipe	3-1	Universal Carburetor Gauge Kit	15-1
Bank Assembly, Fuel	2-1	Universal Joint	10-6
Bank Assy, Fuel	2-2	Universal Joint Flange Holding Wrench	15-1
Bank, Fuel Expansion	2-1	Universal Joint Flange Puller	15-1
Appet Assy.	1-2	Vacuum Control Assy	5-4
ee	14-15	Vacuum Control Pkg.	5-5
ee, PCV Connection	1-5	Valve and Clutch Spring Tester	15-1
Terminal, Down Shift	6-22	Valve Assy, Crankcase Vent (PCV)	1-6
Terminal Kit	5-3	Valve Body Assy	6-4
Terminal Package	5-2	Valve, Brake Warning (LHD)	11-5
Terminal, Spade	5-1	Valve, Brake Warning (RHD)	11-5
Thermostat Assy (Incl. Gasket) (A & B)	4-1	Valve, Bypass	1-10
Thermostat Assy, (Incl. Gasket) (C)	4-1	Valve, Choke	2-3
Thermostat Housing, Coil & Gasket Assy. (C)	2-3	Valve, Exhaust (+.015")	1-2
Throttle Body	2-3	Valve, Exhaust Gas Recirculating (EGR)-(C)	3-1
Throttle Shaft and Lever Assembly	2-3	Valve, Exhaust Manifold Heat	1-12
Thrust Plate	6-30	Valve, Exhaust (Std.)	1-2
Thrust Washer	6-28	Valve Guide Reamer	15-1
Thrust Washer, Bronze	6-28	Valve, Intake (+.015")	1-2
Thrust Washer, Input Shaft	6-6	Valve, Intake (Std.)	1-2
Thrust Washers	7-2	Valve, Positive Crankcase Ventilation	1-5
Thrust Washers, Pinion	9-2	Valve, Residual	11-4
Tie Rod Assy, Complete	10-1	Valve, Solenoid Vacuum	2-2
Tie Rod End	10-1	Valve Spring Remover and Installer	15-1
Timing Chain Cover Alignment Tool and Seal Installer	15-1	Valve Spring Tester	15-1
Timing Chain Oil Seal Remover	15-1	Valve, Throttle	2-3
Track, Door Guide, Lower	14-5	Vibration Damper Remover	15-1
Track, Door, Upper to Qtr. Panel	14-5	Voltage Regulator (A & B)	5-6
Transmission Assy (M-43)	6-19	Washer	1-3
Transmission Assy (Warner Gear M-11)	6-1	Washer, Bronze Thrust	6-28
Transmission Case Assy	6-1	Washer, Carrier Cover Bolt	9-1
Tray Assy	14-4	Washer, Cushion Guide	10-3
Trigger Wheel	5-5	Washer, Flat	10-3
Trio Assy, Diode (Board Type)	5-1	Washer, Flat, Adj. Screw	6-26
Trio Assy, Diode (Potted Type)	5-1	Washer, Flat, Special	14-1
Trunnion Pin	7-2	Washer, Park Brake	6-5
Tube	10-1		
Tube (35.5" Long)	6-17		

ALPHABETICAL INDEX 13

Description	Figure No.	Description	Figure No.
Washer, Park Brake Torsion Lever Pin	6-23	Wheel, Cancelling	5-19
Washer, Pinion Nut	9-1	Wheel Cylinder, Left (Less Push Rods)	11-3
Washer, Plain	6-28	Wheel Cylinder, Right (Less Push Rods)	11-3
Washer, Push Rod	11-4	Wheelhouse Assy, Left	14-4
Washer, Rubber	7-1	Wheelhouse Assy, Right	14-4
Washer, Spindle	8-2	Wheel, Steering	10-6
Washer, Spring	6-15	Wick, Cam Lubricator	5-4
Washer, Sprocket	1-7	Window Balance Assy, LH	14-8
Washer, Thrust	6-10	Window Balance Assy, RH	14-8
Washer, Thrust .064-.0615"	6-12	Windshield Frame Assy	14-3
Washer, Thrust .070-.0675"	6-12	Wing Screw	2-5
Washer, Thrust .077-.0745"	6-12	Wire, Dist. To Coil	5-4
Washer, Thrust .084-.0815"	6-12	Wire, No. 1 & 6 Cylinders	5-4
Washer, Thrust .095-.0925"	6-12	Wire, No. 2 & 5 Cylinders	5-4
Washer, Thrust .108-.1055"	6-12	Wire, No. 3 & 4 Cylinders	5-4
Washer, Thrust, Gear	9-2	Wires to Nos. 2 & 5 Spark Plugs	5-5
Weather Seal, Glass Wiper (At Window Sill)	14-6	Wires to Nos. 3 & 4 Spark Plugs	5-5
Weatherseal, Quarter Panel Glass	14-5	Wire Terminal, Down-Shift Solenoid	6-4
Weather Seal, Rear Door	14-7	Wire to No. 1 Spark Plug	5-5
Weather Seal, Rear Door Glass	14-7	Wire to No. 6 Spark Plug	5-5
Weatherseal, Side Door Opening	14-5	W-104-21 Adapter	15-1
Weatherseal, Windshield	14-3	W-104 Puller	15-1
Weatherstrip, Cove Window	14-6	Worm Assembly	10-4
Weight	2-3	Worm Assembly, Steering	10-4
Wheel Assy	11-8	Yoke	5-3
Wheel Bearing Adjusting Nut Wrench (2-1/8")	15-1	Yoke, Prop Shaft Connecting	9-1
		Yoke, Sleeve	7-1
		Zip Kit, Repair, Incl. Gaskets	2-3

Part No.	Fig. No.	Part No.	Fig. No.	Part No.	Fig. No.	Part No.	Fig. No.
4653E	6-30	934866	13-2	944870	13-2	980273	14-6
52877	9-1	936180	9-1	944874	13-2	980274	14-6
52878	9-1	936181	9-1	945301	11-2	980280	14-4
52879	9-1	936608	9-1	945303	11-2	980294	14-5
52980	9-2	938102	11-2	945304	11-2	980307	14-8
94318	11-2	938103	11-2	945305	11-2	980320	14-7
94319	11-2	938105	11-2	945306	11-2	980323	14-5
94525	11-2	938108	11-2	945307	11-2	980325	14-6
630593	11-7	938109	11-2	945309	11-2	980326	14-6
635516	11-8	938110	11-2	945310	11-2	980336	14-6
636570	9-1	938111	11-2	945311	11-2	980373	14-6
637427	11-6	938121	11-3	945312	11-2	980374	14-7
637936	10-3	939603	11-4	945321	11-2	980381	5-23
638977	5-26	939604	11-4	945322	11-2	980401	14-6
639101	10-6	939607	11-4	945323	11-2	980402	14-7
639191	10-6	939608	11-4	945324	11-2	980416	14-6
639192	10-6	939610	11-4	945577	12-1	980625	14-9
642364	5-24	940512	10-4	945694	10-6	980629	14-9
645086	11-7	940513	10-4	946443	11-7	980632	14-9
645964	13-1	940515	10-4	946728	11-7	980633	14-9
645966	12-1	940517	10-4	948023	11-4	980838	14-4
649454	9-1	940521	10-4	948758	11-7	980849	5-16
663502	2-1	940523	10-4	949228	9-1	980873	14-9
684299	14-3	940529	10-4	951677	14-5	982166	14-14
694045	15-1	940530	10-4	957868	14-16	982167	14-14
694046	15-1	940532	10-4	958649	6-15	982251	6-16
694047	15-1	940534	10-4	973658	14-16	982357	14-5
800825	12-1	940538	10-5	975912	15-1	982366	14-6
801367	9-1	940540	10-5	977918	14-16	982384	5-18
801422	10-6	940543	10-5	979009	14-5	982394	14-8
802143	10-3	940544	10-5	979010	14-5	982408	14-6
805311	9-2	940545	10-5	979026	14-5	982432	14-1
806483	9-1	940546	10-5	979029	14-5	982444	14-16
807266	9-1	940548	10-5	979030	14-5	982473	14-4
811681	5-11	940549	10-5	979031	14-5	982549	15-1
906451	11-1	940550	10-5	979032	14-5	982562	5-14
908301	9-1	940554	10-5	979035	14-5	982563	5-8
908578	5-7	940555	10-5	979082	14-4	982583	14-5
912615	13-2	940556	10-5	979093	14-4	982584	14-5
912721	6-16	940557	10-5	979094	14-4	982585	14-5
913384	5-24	940558	10-5	979110	14-6	982586	14-5
913385	5-24	940559	10-5	979125	14-4	982595	14-6
914922	5-24	940793	7-2	979128	14-3	982596	14-6
914923	5-24	940794	7-2	979129	14-5	982608	5-8
916772	5-19	940795	7-2	979138	14-5	982609	5-8
918087	13-1	940796	7-2	979139	14-7	982668	14-3
921091	11-1	940801	7-2	979140	14-3	982685	14-1
927413	10-6	940802	7-2	979181	14-5	982714	14-6
927414	10-6	940922	10-5	979182	14-5	982716	14-6
927777	11-7	941405	10-5	979188	14-5	982717	14-6
928216	5-24	941406	10-5	979281	14-16	982718	14-4
930673	10-6	941440	11-7	979523	2-1	982721	14-4
930899	5-22	941521	2-1	979524	14-6	982723	14-6
931216	5-13	941534	10-5	979581	14-6	982727	14-6
931710	10-5	943068	11-4	979585	14-6	982728	14-6
933913	3-1	943070	11-4	980260	15-1	982748	14-6
934348	11-4	943924	14-17	980261	15-1	982749	14-6
934349	11-4	944751	3-1	980263	5-23	982762	14-1

NUMERICAL INDEX

Part No.	Fig. No.	Part No.	Fig. No.	Part No.	Fig. No.	Part No.	Fig. No.
3125189	5-2	J-5496	15-1				
3125190	5-2	J-5790	15-1				
3125191	5-2	J-8028	15-1				
3125192	5-2	J-8056	15-1				
3125193	5-2	J-8520	15-1				
3125194	5-2	J-8592	15-1				
3125195	5-2	J-9256	15-1				
3125242	5-2	J-9617	15-1				
8125418	1-1	J-9618	15-1				
8125438	5-5	J-10185	15-1				
8125440	5-5	J-21008	15-1				
8125441	5-5	J-21053	15-1				
8125443	5-5	J-21154	15-1				
8125444	5-5	J-21155	15-1				
8125445	1-1	J-21156	15-1				
8125447	5-5	J-21202	15-1				
8125454	1-2	J-21232	15-1				
8125465	1-12	J-21791	15-1				
8125501	4-1	J-21872	15-1				
8125608	5-5	J-21882	15-1				
8125681	2-3	J-21884	15-1				
8125721	1-1	H-21890	15-1				
8125722	1-1	J-21984	15-1				
8991386	2-5	J-22182	15-1				
8992638	2-4	J-22205	15-1				
8993146	1-10	J-22248	15-1				
W-99DL	15-1	J-22516	15-1				
W-1048L	15-1	J-22569	15-1				
W-126	15-1	J-22698	15-1				
W-129	15-1	J-22727	15-1				
W-144	15-1	J-23111	15-1				
W-147	15-1	J-23499	15-1				
W-172	15-1	J-25097	15-1				
W-186	15-1	J-25331	15-1				
W-188	15-1	J-5880-8	15-1				
W-251	15-1	J-5959-4	15-1				
W-262	15-1	J-6042-1	15-1				
W-344	15-1	J-7316-1	15-1				
W-365	15-1	G-103565	6-23				
C-385	15-1	G-103869	9-1				
A490	7-1	G-117959	2-1				
C-647	15-1	G-120369	10-2				
A870	9-1	G-120382 or	10-2				
A-1126	4-1	G-131421	14-7				
J-1137	15-1	G-147483	6-22				
J-2619	15-1	G-167065	10-6				
C-3160	15-1	G-181646	10-2				
C-3281	15-1	J-21054-2	15-1				
C-3313	15-1	J-21931-2	15-1				
C-3339	15-1	G-273937	1-2				
C-3427	15-1	G453593	6-14				
C-3430	15-1	J-4830-02	15-1				
C-3747	15-1	J-5886-01	15-1				
C-3748	15-1	K-740319	6-30				
C-3915	15-1	J-8400-11	15-1				
C-4142	15-1	J-9614-01	15-1				
C-4161	15-1	G-9419871	10-2				
SP-5427	15-1						

AM General Corporation

Bulletin No. 108

Date: 2-15-74

AM General Corporation

701-Chippewa Avenue South Bend, Indiana 46623

TELEPHONE (219)-287-5011

TECHNICAL DATA BULLETIN

SERVICE PARTS

Subject: Model M-11 Transmissions in DJ-5C Vehicles

Model DJ-5C vehicles bearing the following serial numbers are equipped with the Model M-11 transmission: all other DJ-5C vehicles are equipped with the Model M-43 transmission.

Right-hand Drive: 317613 thru 318089, 410001 thru 418886, and 510227 up.

Left-hand Drive: 400016 thru 401582, and 500049 up.

Visual differences between the Models M-11 and M-43 transmissions are:

Model M-11: The serial number plates bear AM General part number 5962713 and Warner Gear part number 10-03-000-057. The cases are cast iron. The propeller shaft used with this transmission has a journal-type front universal joint.

Model M-43: The serial number plates bear either AM General part number 996779 with Warner Gear part number 10-02-000-016, or AM General part number 5900673 with Warner Gear part number 10-02-000-017. The cases are aluminum. The propeller shaft used with this transmission has a ball-and-trunnion type front universal joint.

The attached data covers the changes described above. This information will be included in subsequent editions of the DJ-5C Service Parts List.

Other part number differences resulting from the transmission change are as follows:

	M-43 Trans.	M-11 Trans.
Rear Axle Assembly	5950729	5950935
Rear Axle Yoke	983553	935685
Chassis Wiring Harness	5900653	5963314
Transmission Kickdown		
Lead Assembly	5900659	5963307

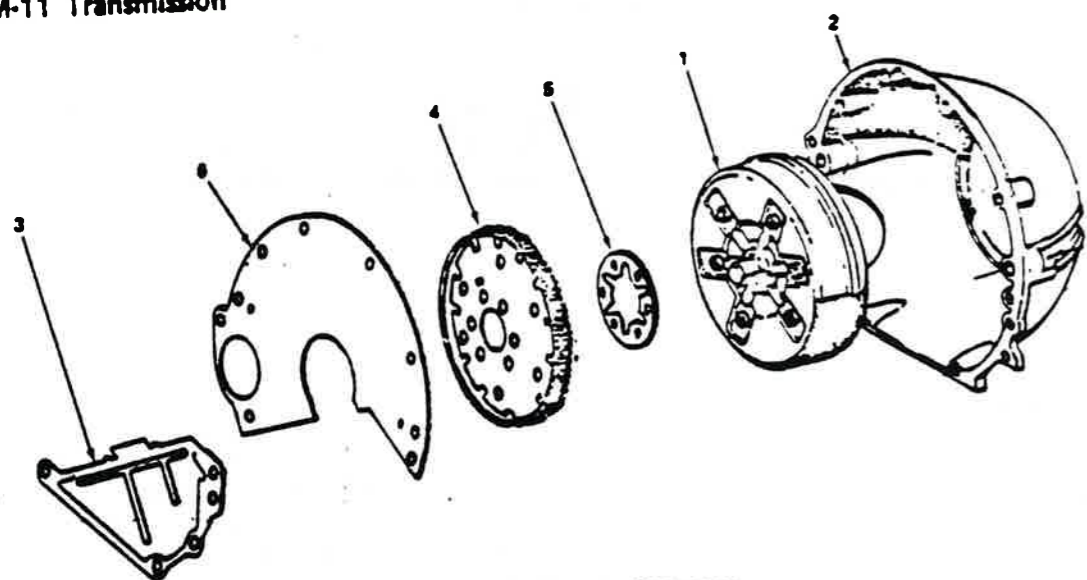


Figure 45B. Torque Converter

1649A

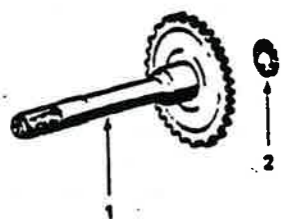


Figure 48C. Input Shaft

1819

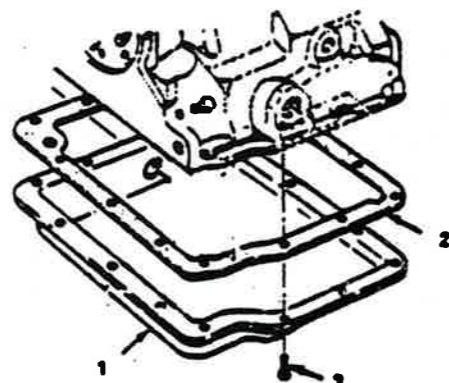


Figure 48D. Oil Pan

1818

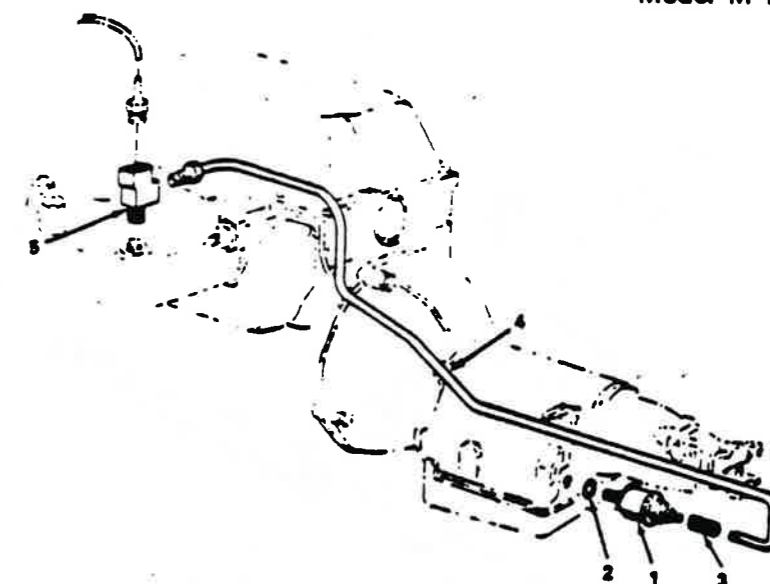


Figure 45E. Vacuum Modulator

2067

Fig. No. and Ref. No.	Part Number	Description	Quantity Per Vehicle	
			LHD	RHD
		Group 17-A-02 Case		
	5950607	Transmission Case Assembly	1	1
		Consists of:		
45A 1		1 Case		
45A 2	5950608	1 Bushing		
45A 3		Bolt 7/16-14 x 1-3/8"	4	4
45A 4		Lockwasher-7/16"	4	4
45A 5	5900303	Filler Tube Assembly	1	1
45A 6	5900294	Bracket-Filler Tube	1	1
45A 7	5958274	Dipstick	1	1
45A 8	3184697	Filler Tube Gasket	1	1
45A 9	5950915	Breather	1	1
45A 10	5950609	Rear Adapter	1	1
45A 11	5950610	Gasket-Rear Adapter	1	1
45A 12	5950701	Bushing-Rear Adapter	1	1

Fig. No. and Ref. No.	Part Number	Description	Quantity Per Vehicle	
			LHD	RHD
		Group 17A-03 Converter		
45B 1	5962765	Converter Assembly	1	1
45B 2	3219162	Converter Housing	1	1
45B 3	3213744	Housing Cover	1	1
45B 4	5900002	Drive Plate	1	1
45B 5	3214094	Reinforcement Plate	1	1
45B 6	3213743	Spacer-Housing to Engine	1	1
		Group 17A-04 Input Shaft Assembly		
45C 1	5950611	Input Shaft Assembly	1	1
		Includes:		
	5950613	1 Input Shaft Bushing		
45C 2	5950612	Thrust Washer	1	1
		Group 17A-05 Oil Pan Assembly		
45D 1	5950614	Pan Assembly-Oil	1	1
45D 2	5950615	Gasket-Oil Pan	1	1
45D 3		Bolt Assembly-Oil Pan	14	14
		Group 17A-06 Modulator		
45E 1	5950899	Modulator-Vacuum	1	1
45E 2	5900254	Tube Assembly	1	1
45E 3	997862	Hose-Vacuum	1	1
45E 4		Connector-Vacuum Tube to Manifold	1	1
45E 5	5950884	O-Ring	1	1
	5950618	Push Rod-Modulator	1	1

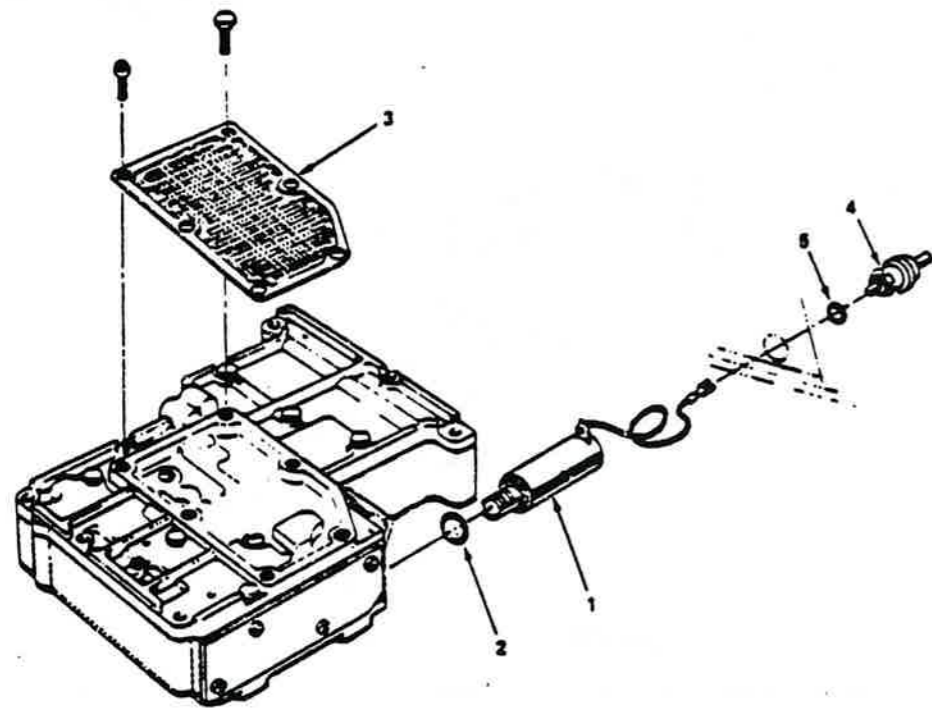


Figure 45F. Valve Body, Down-shift Solenoid, and Terminal

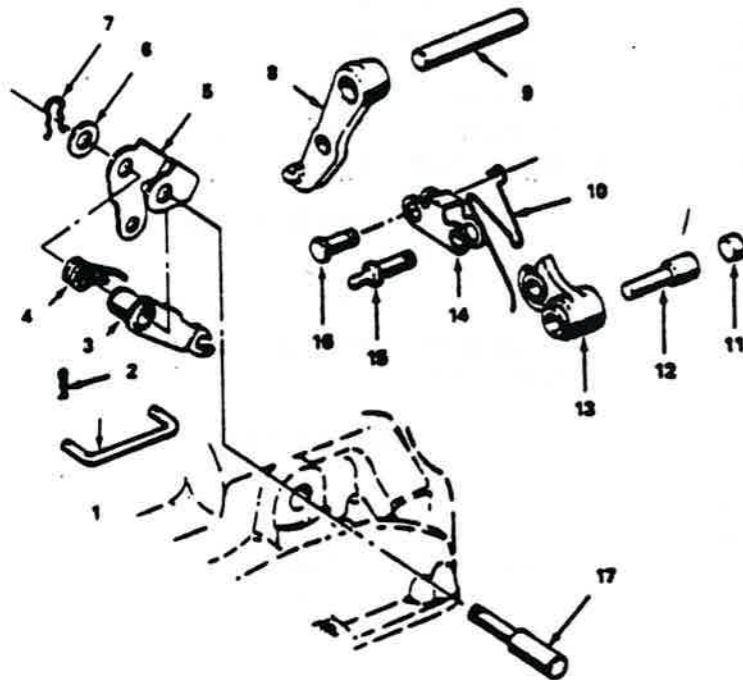


Figure 45G. Park/Lock Components

2088

1818

Revised February 15, 1974

Fig. No. and Ref. No.	Part Number	Description	Quantity Per Vehicle	
			LHD	RHD
		Group 17-07 Valve Body		
	5950620	Valve Body Assembly-Complete	1	1
		Includes:		
		1 Down-Shift Solenoid - 12 WIRE		
		1 O-Ring		
		1 Oil Strainer		
45F 1	5950621	Down-Shift Solenoid Wire Terminal	1	1
45F 2	5950898	Terminal O-Ring	1	1
45F 3	5950917			
45F 4	5950916			
45F 5	5950943			
		Group 17A-08 Park/Lock Components		
45G 1	5950852	Rod-Parking Brake Linkage	1	1
45G 2	5950853	Clip-Parking Brake Linkage Rod	2	2
45G 3	5950848	Lever Assembly-Toggle Lift	1	1
45G 4	5950849	Spring-Park Brake Toggle Lever	1	1
45G 5	5950636	Lever-Park Brake Torsion	1	1
45G 6	5950850	Washer-Park Brake	1	1
45G 7	5950851	Spring-Retaining	1	1
45G 8	5950623	Pawl-Parking Brake	1	1
45G 9	5950631	Pin-Parking Brake Anchor	1	1
45G 10	5950845	Spring-Parking Brake Release	1	1
45G 11	5950630	Retainer-Toggle Pin	1	1
45G 12	5950629	Pin-Parking Brake Toggle	1	1
45G 13	5950846	Lever-Park Brake Toggle	1	1
45G 14	5950843	Link-Parking Brake Toggle	1	1
45G 15	5950847	Pin-Parking Brake Toggle	1	1
45G 16	5950844	Pin-Park Toggle Link	1	1
45G 17	5950854	Pin-Torsion Lever Park Brake	1	1

Revised February 15, 1974

17A-5

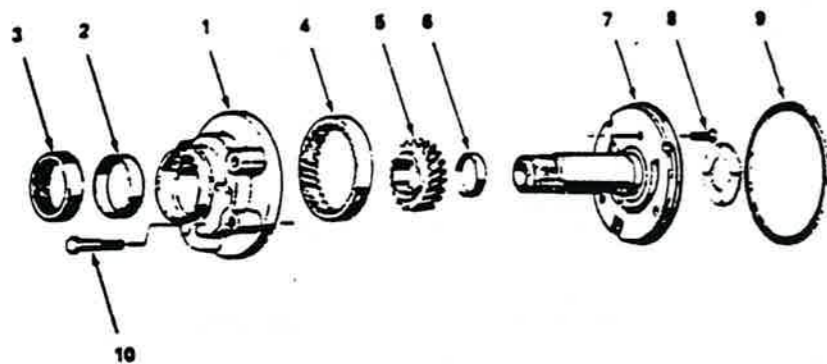


Figure 45H. Oil Pump

1879

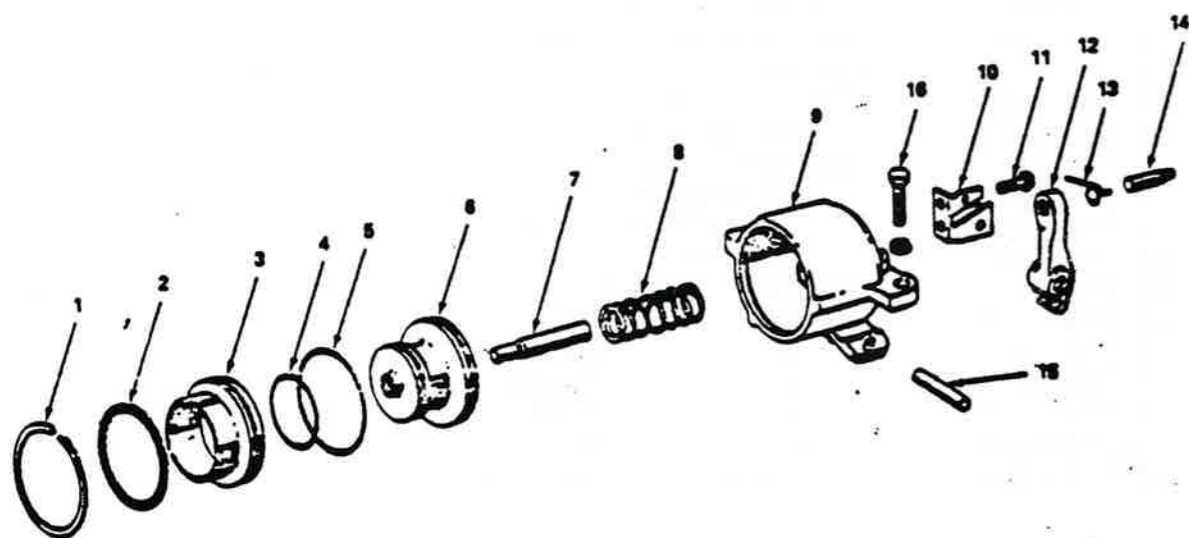


Figure 45J. Front Servo

1820

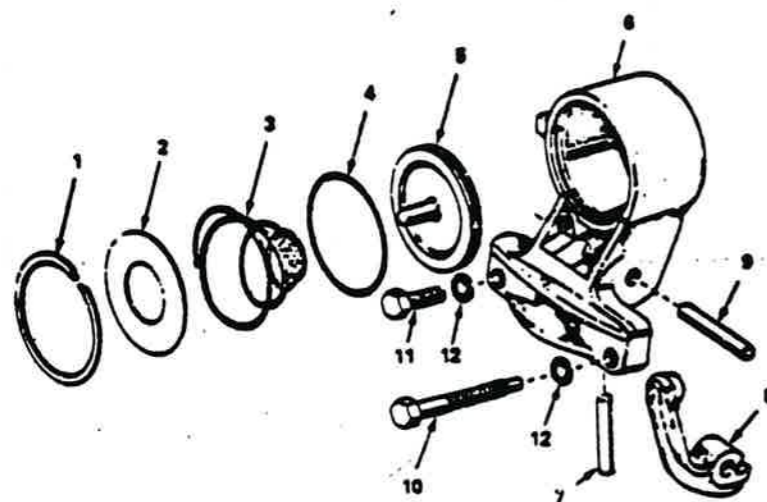


Figure 45K. Rear Servo

1839

Revised February 15, 1974

Fig. No. and Ref. No.	Part Number	Description	Quantity Per Vehicle	
			LHD	RHD
		Group 17A-09 Oil Pump		
	5950639	Oil Pump Assembly	1	1
		Consists of:		
45H	1	1 Body		
45H	2	1 Bushing-Body		
45H	3	1 Seal-Oil		
45H	4	1 Gear-Driven		
45H	5	1 Gear-Drive		
45H	6	1 Bushing-Front Pump		
45H	7	1 Support and Bushing Assembly		
45H	8	1 Screw-No. 10-24 x 3/4"		
45H	9	Gasket-Oil Pump	1	1
45H	10	Bolt 5/16-18 x 2" Pump to Case	4	4
		Group 17-10 Front and Rear Servos		
	5950642	Front Servo Assembly	1	1
		Consists of:		
45J	1	1 Ring-Front Servo Sleeve Snap		
45J	2	1 Ring-Sealing		
45J	3	1 Sleeve-Front Servo		
45J	4	1 Ring-Sealing		
45J	5	1 Ring-Sealing		
45J	6	1 Piston-Front Servo		
45J	7	1 Pin-Front Servo Piston		
45J	8	1 Spring-Front Servo		
45J	9	1 Body-Front Servo		
45J	10	1 Plate-Automatic Adjusting Cam		
45J	11	2 Screws-No. 10-24 x 5/16" Servo Cam Plate		
45J	12	1 Lever-Front Servo		
45J	13	1 Spring-Adjusting Screw		
45J	14	1 Screw-Front Servo Adjusting		
45J	15	1 Pin-Front Servo Pivot		
45J	16	Bolt-Front Servo Attaching	1	1
45J		Rear Servo Assembly	1	1
		Consists of:		
45K	1	1 Ring-Rear Servo Retainer		
45K	2	1 Retainer-Rear Servo Spring		
45K	3	1 Spring-Rear Servo Piston		
45K	4	1 Ring-Sealing		
45K	5	1 Piston-Rear Servo		
45K	6	1 Body and Plug and Assembly-Rear Servo		
45K	7	1 Shaft-Rear Band Act Lever		
45K	8	1 Lever-Rear Servo		
45K	9	1 Pin-Rear Servo		
45K	10	Bolt-Hex Head 7/16-14 x 1-7/8" Rear Servo to Transmission Case	1	1
45K	11	Screw	1	1
45K	12	Lockwasher 7/16"	2	2

Revised February 15, 1974

17A-7

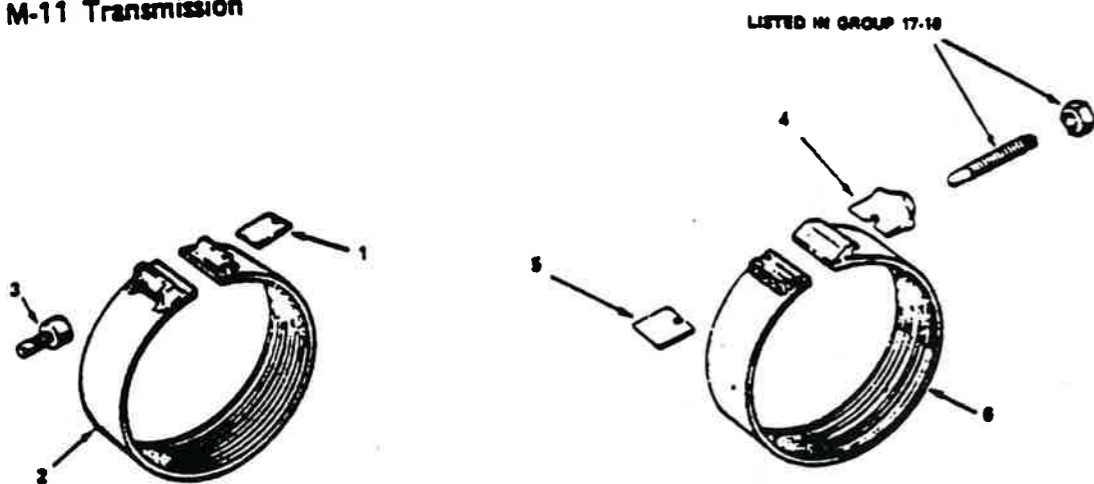


Figure 45L. Front and Rear Bands

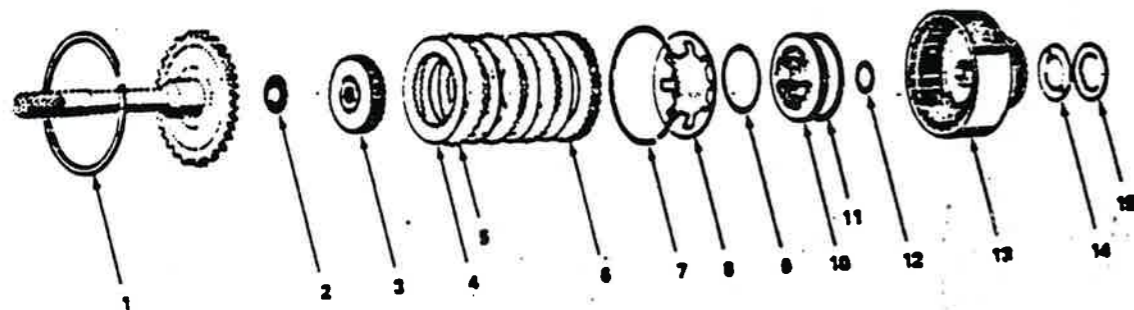


Figure 45M. Front Clutch

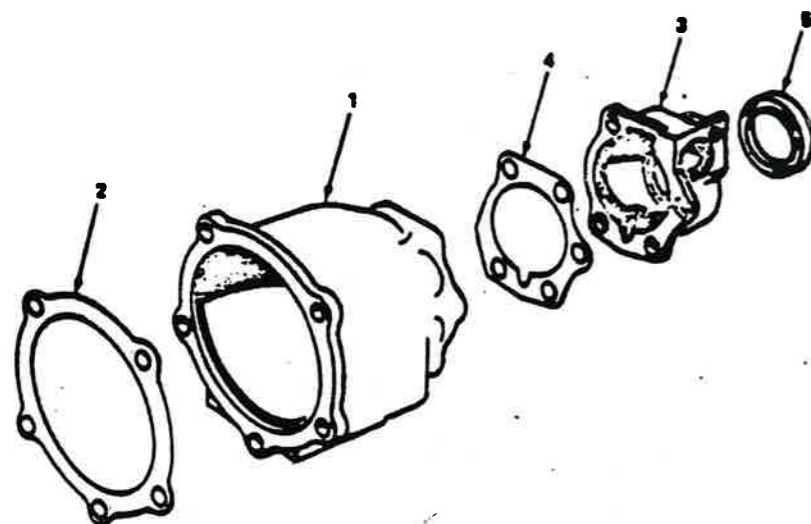


Figure 45N. Rear Extension Housing and Bearing Retainer

1814

1820

1830

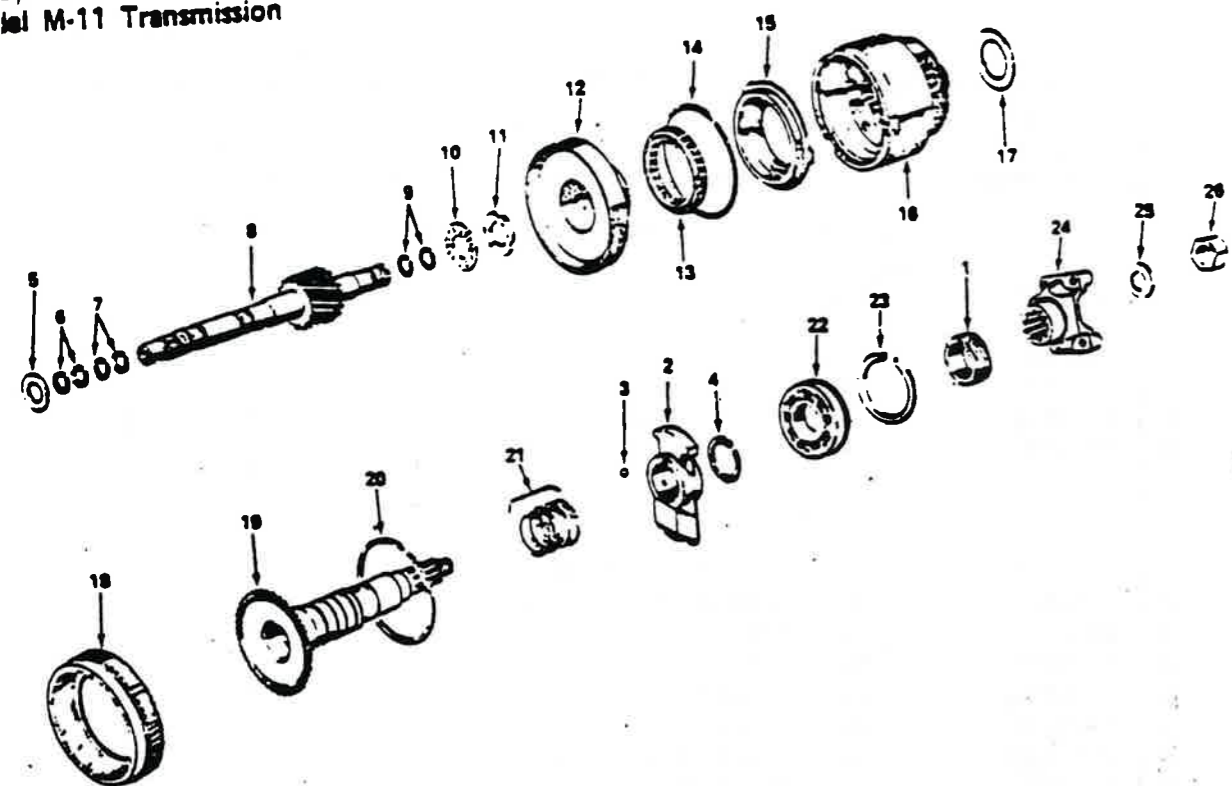
2000



Fig. No. and Ref. No.	Part Number	Description	Quantity Per Vehicle	
			LHD	RHD
Group 17-11 Front and Rear Bands				
45L 1	5950873	Strut-Front Band	1	1
45L 2	5950648	Band Assembly-Front Brake	1	1
45L 3	5950885	Pin-Anchor	1	1
45L 4	5950874	Strut-Rear Band Apply	1	1
45L 5	5950875	Strut-Rear Band Anchor	1	1
45L 6	5950649	Band Assembly-Rear Brake	1	1
Group 17-12 Front Clutch				
45M 1	5950697	Ring-Clutch Plate Retainer	1	1
45M 2	5950882	Washer-Thrust-Front Hub	1	1
45M 3	5950881	Hub-Front Clutch	1	1
45M 4	5950695	Plate-Inner-Clutch	4	4
45M 5	5950654	Plate-Outer-Clutch	3	3
45M 6	5950652	Plate-Pressure-Clutch	1	1
45M 7	5950880	Ring-Front Clutch Spring	1	1
45M 8	5950751	Spring-Front Clutch	1	1
45M 9	5950879	Ring-Front Clutch Spring Bearing	1	1
45M 10	5950877	Piston-Front Clutch	1	1
		Ball-Piston	1	1
45M 11	5950878	Ring-Front Clutch	1	1
45M 12	5950650	Ring-Sealing	1	1
45M 13	5950876	Cylinder-Front Clutch	1	1
45M 14	5950656	Washer-Thrust	1	1
45M 15	5950655	Washer-Thrust	1	1
Group 17A-13 Rear Extension Housing and Bearing Retainer				
45N 1	5950834	Extension Housing	1	1
45N 2	5950660	Gasket-Extension Housing	1	1
45N 3	5950835	Bearing Retainer	1	1
	5950837	Kit-Bearing Retainer Seal and Gasket	1	1
		Consists of:		
		1 Gasket		
		1 Oil Seal		
45N 4		Bearing and Snap Ring are listed in		
45N 5	5950886	Group 17A-16		
Group 17A-14 Speedometer (In Transmission)				
45P 1	5950840	Geur-Speedometer Drive	1	1

Revised February 15, 1974

17A-9

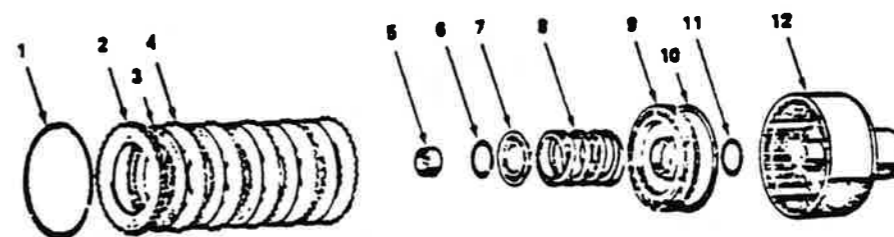


2070

Figure 45P. Forward Sun Gear, Output Shaft, Governor, and Speedometer Drive Gear

Fig. No. and Ref. No.	Part Number	Description	Quantity Per Vehicle	
			LHD	RHD
Group 17A-15 Governor				
45P 2	5950663	Governor Assembly	1	1
45P 3		Steel Ball-1/4"	1	1
45P 4	5950668	Ring-Snap	1	1
Group 17-16 Sun Gears and Output Shaft				
45P 5	5950674	Washer-Thrust-Reverse Sun Gear	1	1
45P 6	5950671	Ring-Sealing-Sun Gear	2	2
45P 7	5950914	Ring-Sealing-Sun Gear	2	2
45P 8	5950670	Gear Assembly-Forward Sun	1	1
45P 9	5950887	Ring-Sealing-Sun Gear	2	2
45P 10	5950675	Bearing-Needle	1	1
45P 11	5950738	Plate-Roller Bearing Thrust	1	1
45P 12		Center Support	1	1
45P 13	5950677	Clutch Assembly (One Way)	1	1
45P 14		Ring - Snap	1	1
45P 15		Race and Bushing Assembly	1	1
45P 16	5950676	Planet Gears and Rear Drum Assembly	1	1

Revised February 15, 1974



1638

Figure 45Q. Rear Clutch

Fig. No. and Ref. No.	Part Number	Description	Quantity Per Vehicle	
			LHD	RHD
Group 17-16 Sun Gears and Output Shaft (Continued)				
45T 17	5950678	Washer-Thrust .064-.0615"	•	•
45P 17	5950679	Washer-Thrust .070-.0675"	•	•
45P 17	5950680	Washer-Thrust .077-.0745"	•	•
45P 17	5950681	Washer-Thrust .084-.0815"	•	•
45P 17	5950682	Washer-Thrust .095-.0925"	•	•
45P 17	5950683	Washer-Thrust .108-.1055"	•	•
*Used optionally-Selective fit				
45P 18	5950686	Gear-Ring-Output Shaft	1	1
45P 19	5950801	Shaft Assembly-Output	1	1
45P 20	5950687	Ring-Snap-Ring Gear	1	1
45P 21	5950669	Ring-Sealing	4	4
45P 22	5950838	Bearing	1	1
45P 23	5950839	Snap Ring	1	1
	5950836	Kit-Compansion Flange	1	1
Consists of:				
45P 24		1 Companion Flange		
45P 25		1 Washer		
45P 26		1 Nut		
Group 17A-17 Rear Clutch and Drum				
	5950689	Clutch Assembly-Rear	1	1
Consists of:				
45Q 1	5950697	1 Ring-Rear Clutch Retainer		
45Q 2	5950696	1 Plate-Pressure-Rear Clutch		
45Q 3	5950695	4 Plates-Inner-Clutch		
45Q 4	5950694	4 Plates-Outer-Clutch		
45Q 5	5950892	1 Bearing-Needle-Clutch Drum		
45Q 6	5950693	1 Ring-Snap Rear Clutch Spring		
45Q 7	5950888	1 Seat-Spring		
45Q 8	5950889	1 Spring-Rear Clutch		
45Q 9	5950890	1 Piston		
45Q 10	5950692	1 Ring-Piston		
45Q 11	5950891	1 Ring-Sealing		
45Q 12	5950893	1 Drum Assembly		
Includes:				
	5950690	1 Gear-Reverse Sun		

Revised February 15, 1974

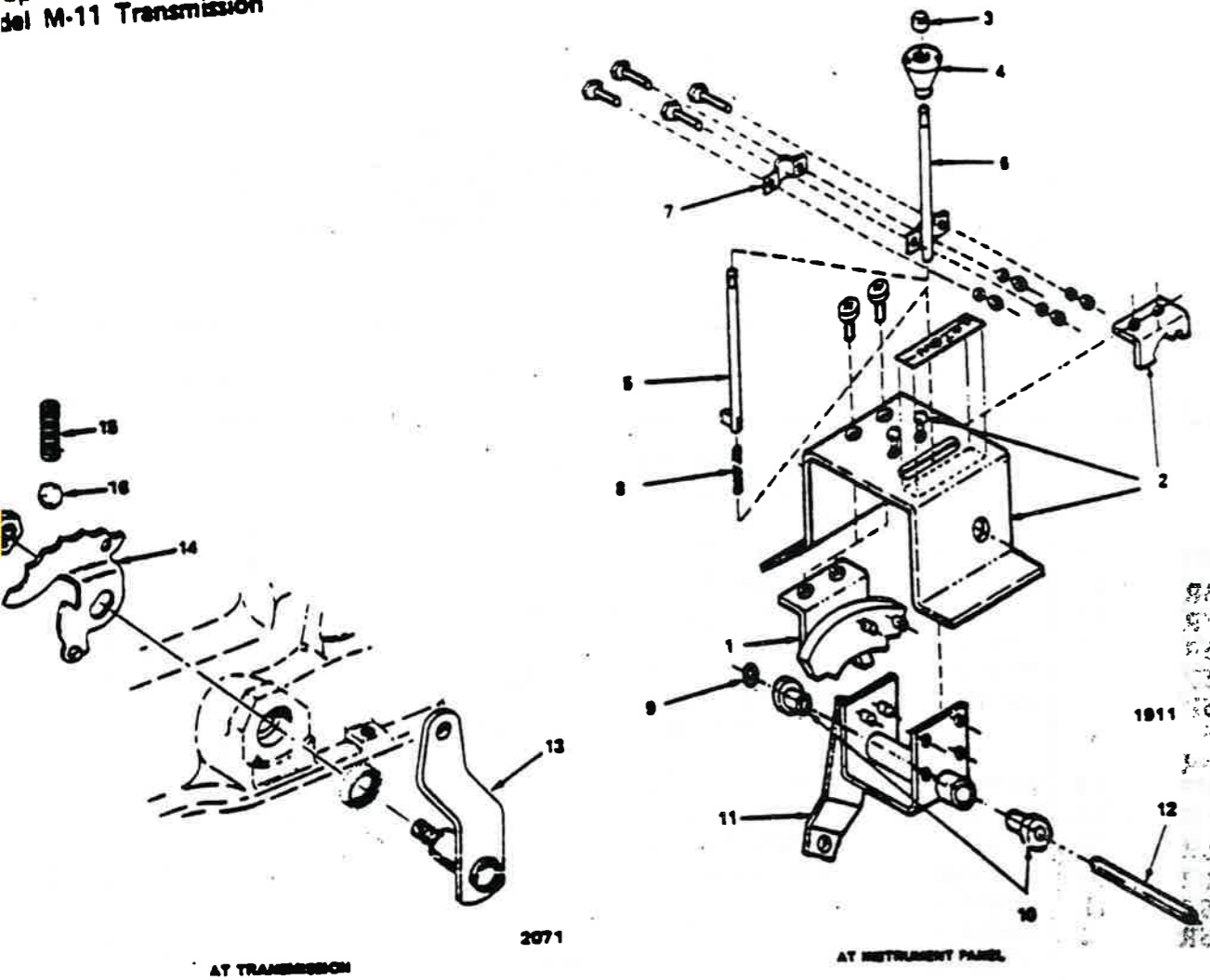


Figure 45R. Shift Controls

Fig. No. and Ref. No.	Part Number	Description	Quantity Per Vehicle	
			LHD.	RHD.
45R 1	990248	Group 17A-18 Neutral Safety and Backup Switch Switch Assembly-Neutral Safety and Backup ...	1	1

Revised February 15, 1974

Fig. No. and Ref. No.	Part Number	Description	Quantity Per Vehicle	
			LHD	RHD
	912721	Group 17A-19 Transmission Mounting Insulator-Rear-Transmission to Crossmember ... Bolt-Insulator to Transmission G9418821 Lockwasher G9418954 or G274087 Bolt-Insulator to Crossmember G9418823 Washer-Flat G9421128 or G446470 Locknut G442827	1 2 2 2 2 2	1 2 2 2 2 2
	997807 5950726	Group 17-20 Transmission Shift Controls Cover Assembly-Shift Selector Kit-Shift Selector Repair	1 1	1 1
45R 3		Consists of: 1 Button-Shift Selector Lever Knob		
45R 4		1 Knob-Shift Selector Lever		
45R 5		1 Shaft Assembly-Inner		
45R 6		1 Tube Assembly-Shift Selector Lever		
45R 7		1 Bracket-Shift Selector Lever-Lower		
45R 8		1 Spring-Shift Lever Latch 1 Washer-Anti-Rattle (Rubber)		
	5950947	Kit-Cross Shaft Repair	1	1
45R 9		Consists of: 1 Washer-Wave		
45R 10		2 Bearings-Cross Shaft (Plastic)		
45R 11		1 Bracket and Shaft Assembly-Lower		
45R 12		1 Cross Shaft 1 Rod Shift 1 Block-Adjusting		
45R 13	5950944	Lever Assembly-Manual Control	1	1
45R 14	5950946	Lever Assembly-Manual Valve	1	1
45R 15	5950945	Spring-Manual Valve Detent	1	1
45R 16	G453593	Detent Ball G453593	1	1
45R 17		Locknut 9/16-24	1	1
	5950842	Group 17A-21 Gaskets and Seals Gasket and Seal Set-Overhaul	1	1

Revised February 15, 1974

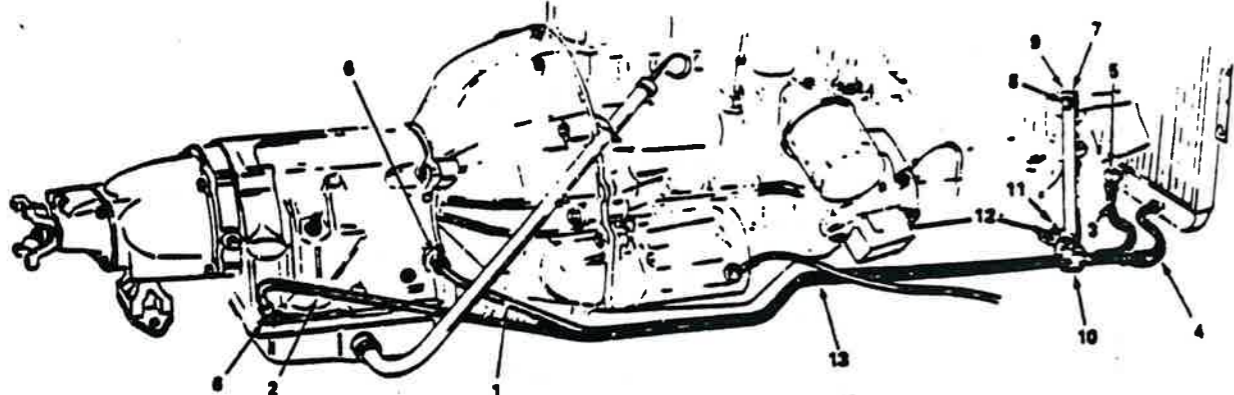


Figure 45B. Oil Cooler Tubes

2072

Fig. No. and Ref. No.	Part Number	Description	Quantity Per Vehicle	
			LHD	RHD
Group 17A-22 Oil Cooler Tubes				
45S 1	5962610	Tube-Trans. to Radiator (35.5" Long)	1	1
45S 2	5962611	Tube-Trans. to Radiator (45.0" Long)	1	1
45S 3	997217	Hose-Tube to Radiator (15.0" Long)	1	1
45S 4	3193870	Hose-Tube to Radiator (9.0" Long)	1	1
45S 5		Elbow-Long Hose to Radiator G120401	1	1
45S 6		Conn.-Trans. to Cooler Tubes G137406	2	2
45S 7	5962609	Bracket-Support	1	1
45S 8		Bolt-Bracket to Block G122119	1	1
45S 9		Lockwasher-Bracket to Block Bolt G120382	1	1
45S 10	997631	Clamp	1	1
45S 11		Screw-No. 10-24 x 5/8" G159929	1	1
45S 12		Nut and Lockwasher-No. 10-24 G271166	1	1
45S 13	3156574	Tubing Clip	1	1

Revised February 15, 1974

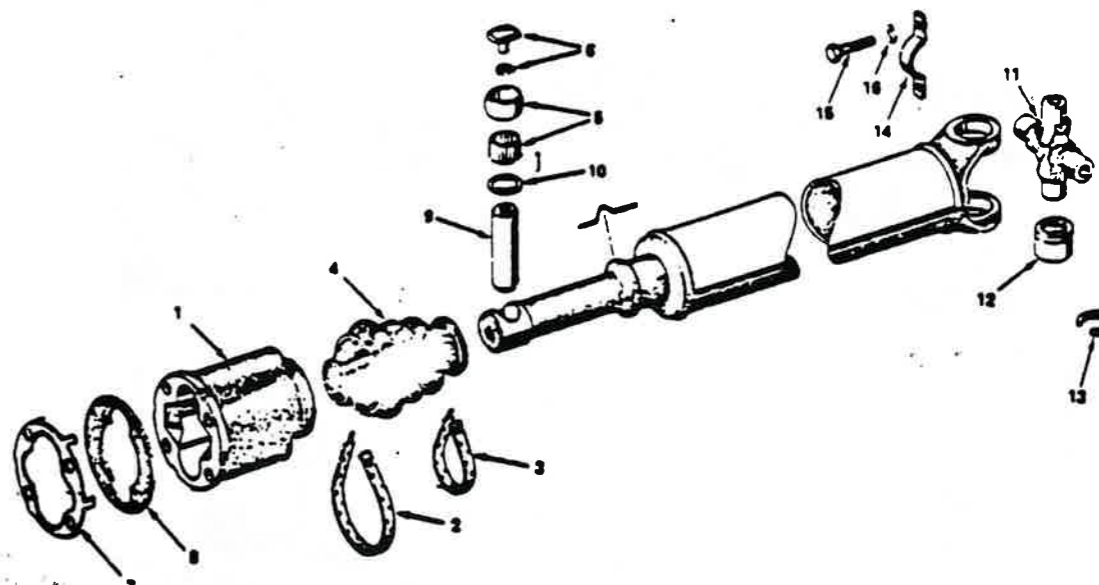


Figure 46. Propeller Shaft and Universal Joints (used with M-43 transmission)

1012A

Fig. No. and Ref. No.	Part Number	Description	Quantity Per Vehicle	
			LHD	RHD
Group 19-01 Propeller Shaft				
	997843	Propeller Shaft (Used only with Model M-43 transmission)	1	1
46 1	940794	Housing-Universal Joint-Front	1	1
	940800	Kit-Front Universal Joint	1	1
Consists of:				
46 2	940795	1 Clamp-Large		
46 3	940796	1 Clamp-Small		
46 4		1 Dust Cover (Boot)		
46 5		2 Bearing Assemblies		
46 6		2 Button and Spring Assemblies		
46 7	940793	1 Grease Cover		
46 8	940799	1 Gasket		
46 9		1 Trunnion Pin		
46 10		2 Thrust Washers		
	940801	Kit-Dust Cover and Clamps	1	1
Consists of:				
46 2	940795	1 Clamp-Large		
46 3	940796	1 Clamp-Small		
46 4		1 Dust Cover (Boot)		
	940802	Kit-Cross and Bearing-Rear	1	1
Consists of:				
46 11		1 Cross		
46 12		4 Bearings		
46 13		4 Bearing Retainers		
46 14		Clamps-Bearing	2	2
46 15		Bolt (1/4-5/8") G454847	4	4
46 16		Lockwasher (1/4") G120380	4	4

Revised February 15, 1974

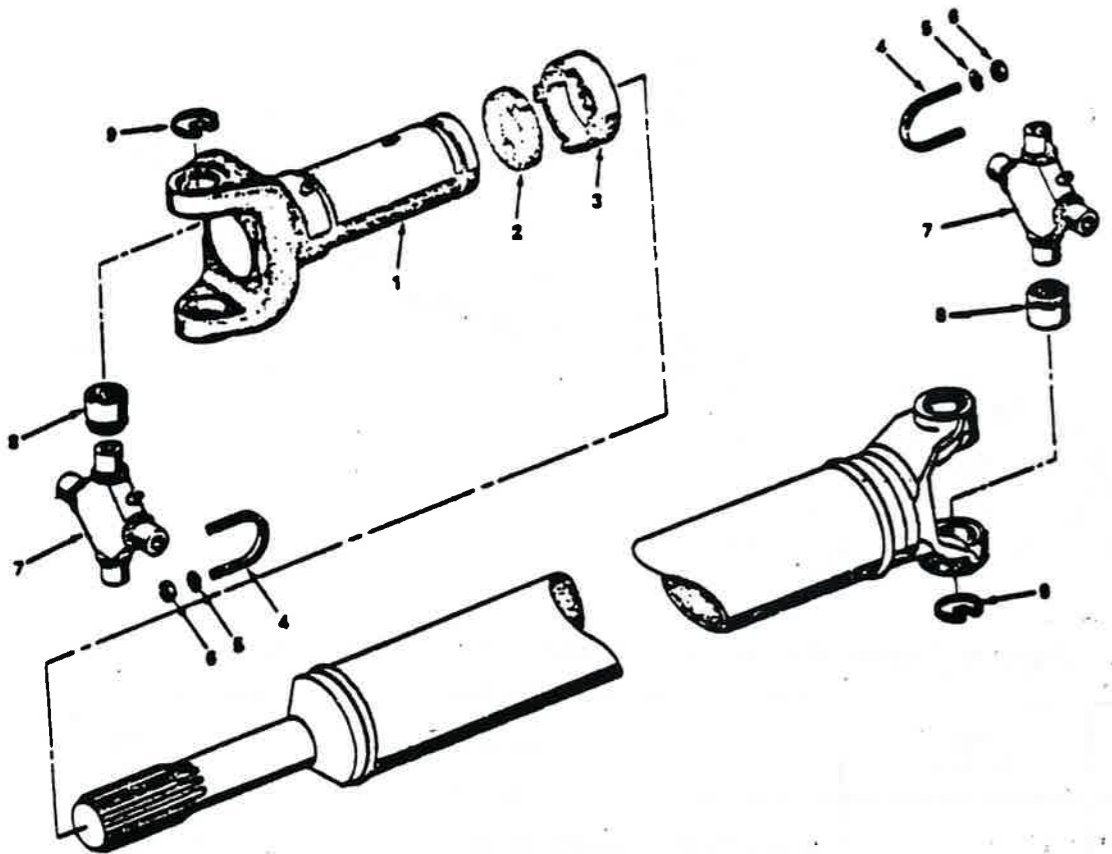


Figure 46A. Propeller Shaft and Universal Joints (used with M-11 transmission)

Fig. No. and Ref. No.	Part Number	Description	Quantity Per Vehicle	
			LHD	RHD
		Group 19-01 Propeller Shaft (Cont)		
	5952550	Propeller Shaft (Used only with Model M-11 transmission)	1	1
46A	1 5950949	Sleeve Yoke	1	1
46A	2 5950951	Rubber Washer	1	1
46A	3 5950950	Dust Cap	1	1
46A	4 A-490	U-Bolt	4	4
46A	5	Lockwasher G9417953	8	8
46A	6	Nut G9418892	8	8
	5950894	Kit-Universal Joint	2	2
		Consists of:		
46A	7	1 Cross		
46A	8	4 Bearings		
46A	9	4 Snap Rings		

Revised February 15, 1974

Bulletin No. 110 -
Rev. 1
Date 9-27-77

SERVICE PARTS

AM General Corporation

701 Chippewa Avenue South Bend, Indiana 46880
TELEPHONE (219) 237-6222

TECHNICAL DATA BULLETIN

Subject: DJ-5C Engine Differences - Serial Number Revision
Publications Affected: Model DJ-5C Service Parts Catalog, NSN 7610-00-V99-0002, AM General Number 10303, Issued September, 1975

This bulletin supersedes and replaces Bulletin No. 110, dated 3-12-74.

DJ-5C vehicles are equipped with one of three different engines. When a part is peculiar to one or the other, a usage code is shown in the Service Parts Catalog, immediately following the description of the part. If no code is shown, the part is applicable to all engines. The explanation of the codes used in the Service Parts Catalog is as follows:

Code (A) - This code is applicable to the early DJ-5C vehicles equipped with engines having the valve rocker arms attached to the cylinder head by bridge pivots. The serial numbers of these vehicles are:

- | | |
|-----------------|-----------------|
| 300001 - 303102 | 400001 - 400015 |
| 310001 - 315075 | 500001 - 500045 |
| 315112 - 315113 | 500047 - 500048 |
| 315117 - 315118 | 510001 - 510057 |

Code (B) - This code is applicable to the vehicles equipped with engines having shaft-mounted valve rocker arms. The serial numbers of these vehicles are:

- | | |
|-----------------|-----------------|
| 303103 - 303336 | 414247 - 414274 |
| 315076 - 315111 | 415291 |
| 315114 - 315116 | 500046 |
| 315119 - 318089 | 500049 - 500187 |
| 410001 - 414073 | 510058 - 510527 |
| 414129 - 414130 | 510531 - 510571 |
| 414136 | |

Code (C) - This code is applicable to the late model DJ-5C vehicles equipped with bridge pivots. Note: While Codes (A) and (C) are similar, all parts are not interchangeable. The serial numbers of these vehicles are:

(Continued . . .)

Bulletin No. 110 - Rev. 1
Date: 9-27-77
Page Two

400016 - 401582
414074 - 414128
414131 - 414135
414137 - 414246
414275 - 415290

415292 - 418886
500188 - 500452
510528 - 510530
510572 - 511061

This information will be included in subsequent editions of the
DJ-5C Service Parts Catalog.

Bulletin No. 114

Date: 5-9-74

General Corporation

701 Chippewa Avenue South Bend, Indiana 46623

TELEPHONE (219) 287-5011

TECHNICAL DATA BULLETIN

SERVICE PARTS

Subject: Model M-43 Transmission Parts Availability

Applicable Vehicles: All DJ-5B, all DJ-5C with Model M-43 Transmission

The front clutch major overhaul kit, part number 5950715, and the rear clutch plate repair kit, part number 5950725, are no longer available as kits but the components are being serviced individually. The figure and reference numbers shown in the following listing of components refer to illustrations in the DJ-5C Service Parts List, Publication Number 10303-SPL.

Fig. No.	Ref. No.	Part Number	Description	Qty/Vehicle (RHD or LHD)
Components of 5950715 Kit:				
40	1	3198587	Cylinder	1
40	2	3198560	O-Ring	1
40	3	3198570	Piston Assembly	1
40	4	3165012	Sealing Ring	1
40	5	3164988	Wear Ring	1
40	6	3210948	Spring	1
40	7	3194872	Snap Ring	1
40	8	4487305	Pressure Plate	1
40	9	3212388	Steel Plate	4
40	10	3198571	Lined Plate	5
40	11	3198584	Hub	1
40	12	3165043	Thrust Washer	1
40	13	3198547	Thrust Washer - Bronze	1
40	14	3198550	Plain Washer	1
40	15	3165016	Snap Ring	1
Components of 5950725 Kit:				
43	8	3164863	Steel Plate	5
43	9	3198571	Lined Plate	5
43	10	3164803	Pressure Plate	1
43	11	3165016	Snap Ring	1
43	12	3186344	O-Ring	3

Bulletin No. 120

Date: 3-1-75

 **AM General Corporation**

701 Chippewa Avenue South Bend, Indiana 46623

TELEPHONE (219)-287-5011

TECHNICAL DATA BULLETIN

SERVICE PARTS

Subject: Carburetor Choke Shaft Kits

Applicability: Models DJ-5B, DJ-5C, DJ-5D, FJ-8, FJ-8A, and FJ-8B

There are two service kits, consisting of the choke shaft and lever assembly plus two choke valve attaching screws. These kits are not interchangeable. Kit number 5950825 will kit only the DJ-5B vehicles and kit number 5997030 will fit only the DJ-5C, DJ-5D, FJ-8, FJ-8A, and FJ-8B vehicles.

Please make the following additions or corrections to your Service Parts Lists:

DJ-5B, Page 12-4: Change the part number for reference number 5 in figure 12-03 to 5950825.

DJ-5C, Page 12-5: Change the part number for reference number 56 in figure 15 to 5997030.

FJ-8, Page 12-5: Add part number 5997030 for reference number 59 in figure 15.

FJ-8A, Page 12-4: Change the part number for reference number 19 in figure 15 to 5997030.

Bulletin No. 121

Date: 3-1-75

 **AM General Corporation**

701 Chippewa Avenue South Bend, Indiana 46623

TELEPHONE (219) 287-5011

TECHNICAL DATA BULLETIN

SERVICE PARTS

Subject: Service Rear Axles

Applicability: Models DJ-5A, DJ-5B, DJ-5C, DJ-5D, DJ-5E, FJ-8, FJ-8A, and FJ-8B

Service rear axles consist of the tube and housing, differential, propeller shaft yoke and dust shield, pinion nut, breather, and tube oil seals.

They do not include axle shafts and bearings, bearing retainers, outer oil seals and retainers, brakes, or drums. These parts are serviced separately.

Bulletin No. PS-142

Date: 8-10-76

AM General Corporation

701 Chippewa Avenue South Bend, Indiana 46623

TELEPHONE (219) 287-5011

TECHNICAL DATA BULLETIN

SERVICE PARTS

Subject: DJ-5C Service Parts Catalog

Publication Affected: Model DJ-5C Service Parts Catalog, NSN 7810-00-V99-0002, AM General Number 10303, Issued September 1975.

Forwarded herewith are all the changes that have been made to the subject parts book. Please update your parts books incorporating these changes. Previous bulletins have been issued concerning some of these revisions.

1. On the title page, correct the AM General publication number 10503 to 10303.
2. On Page 1-3, Figure 1-1, Cylinder Block Part Number 8122938 has been superseded by 8125721.
3. On Page 1-7, Figure 1-3, Kit, Rear Main Bearing Cap Seal, Part Number 3205331, has been released for service. This seal is shown in the illustration, page 1-6, as a two-part seal immediately above one below Illustration No. 1.
4. On Page 1-9, Figure 1-5, Item 1, Part Number 3218718 has been superseded by 3228129.
5. On Page 2-3, Figure 2-1, Item 15, Part Number 8120330 has been superseded by 3227279.
6. On Page 2-7, Figure 2-3, Item 30, note Part Number 8121254 for the "A" & "B" Engines and 8124313 for the "C" Engine, Fast Idle Cam, has been released for service. Item 34, Part Number 5997142, Choke Connecting Rod, has been released for service on all engines.
7. On Page 2-9, Figure 2-5, add Part Number 8124454, Pellet, Air Cleaner Temperature Sensor, one (1) per vehicle, to this group as a released service part.
8. On Page 3-3, Figure 3-1, on vehicles with "C" Engine only, Sensor Assembly Bracket, Part Number 3214016 has been released for service. This bracket attaches Sensor Part Number 3223999.
9. On Page 5-5, Figure 5-2, Part Number 5950997 has been superseded by 3228271.
10. On Page 5-11, Figure 5-6, correct Part Number 3208861 to 3208860. Correct Part Number 3219350 to 3219357 then show 3219357 as superseded by 3223250.
11. On Page 6-13, Figure 6-11, show Part Number 5950886 as being superseded by 5997069.
12. On Page 6-13, Figure 6-12, with M-11 Transmission, add Part Number K-740319, Gear, Speedometer Driven, as a released service part.
13. On Page 6-15, Figure 6-14, add Part Number 5997140, Seal Shift Selector Shaft, one (1) required per vehicle, as a released service part. This part is illustrated left of Illustration No. 1.
14. On Page 6-27, Figure 6-24, with M-43 Transmission, add the following released service parts:

5950904	Tube, Suction (1 required per vehicle)
5950905	Tube, Converter Outlet (1 required per vehicle)
5950906	Tube, Pressure (1 required per vehicle)
5950907	Tube, Converter Inlet (1 required per vehicle)

TECHNICAL DATA BULLETIN

SERVICE PARTS

- 15. On Page 6-29, Figure 6-25, with M-43 Transmission, change Item 9 Part Number from 5950826 to 5950862, and add the following released service parts to this figure.

5950909	Tube, Front Servo Apply (1 required per vehicle)
5950910	Tube, Front Servo Release (1 required per vehicle)

- 16. On Page 6-29, Figure 6-26, with M-43 Transmission, remove Part Numbers 5950999 and 5950910 from this section. Also show 5950908 as being serviced in Kit No. 5950712 as well as serviced separately.

- 17. On Page 6-36, Figure 6-31, with M-43 Transmission, add Part Number 5950902, Tube, Rear Clutch, as a released service part (1 required per vehicle).

- 18. On Page 6-31, Figure 6-28, Items 3, 8, 10 & 12 are not serviced separately contrary to what is shown in the Service Parts Price List dated June 15, 1976. They are only S.I.A. 5950970. When ordering 5950970, Items 3 through 12 and Item 17 will be shipped.

- 19. On Page 6-33, Figure 6-30, Part Number 5950719 has been superseded by 5950984. The Governor Spring Retainer, which is part of Kit 5950984 is Part Number 3150971 and can be purchased separately as well as in the kit.

- 20. On Page 6-35, Figure 6-31, add the following Part Numbers to the components of Kit 5950724:

Item 1	3198558	Bearing, Needle
Item 2	3198561	O-Ring, Clutch Drum
Item 3	3198552	Piston
Item 4	3165009	O-Ring, Clutch Piston
Item 5	3165047	Spring
Item 6	3198549	Retainer
Item 7	3198559	Ring, Snap

Along with Items 8 thru 12, the above parts can be purchased separately or as Kit 5950724.

- 21. On Page 7-3, Figure 7-2, add Part Number 630595, Bolt, Prop Shaft (3/8 - 24 x 1 9/32") two (2) required per vehicle, as a released service part.
- 22. On Page 8-3, Figure 8-2, add Part Numbers 5950763 Outer Cup, and 5950763, Inner Cup, as released service parts.
- 23. On Page 10-3, Figure 10-1, show Part Number 5950740 as being serviced only in Kit 5950685. Correct Part Number 5950744 to 5950748 and change Item No. 6 to No. 7 and No. 7 to No. 6 on this same page (printed section).
- 24. On Page 11-3, Figure 11-2, correct Part Number 94318 to 984318, 94319 to 984319 and 94525 to 945325.
- 25. On Page 14-9, Figure 14-8, change Part Number 982408 to 5963211 and indicate that this part is also included as part of assemblies 5950900 and 5950901. Supersede Part Number 982727 by 5950901 and supersede Part Number 982728 by 5950900 and note each assembly includes the Door, Glass Run Part Number 5963211 (Item 12) Lock Rod Assembly and two screws.
- 26. On Page 14-13, Figure 14-9, remove Part Numbers 980629, 980625 and 982845 as these are not serviced separately - only as part of Seat Belt Assembly 980633.

SUBJECT: Steering Knuckle Kit Used on DJ-5C and FJ-8A Vehicles

PUBLICATIONS AFFECTED: NSN 7610-00-V99-0002, AM General Number 10503, Service Parts Catalog, Issued September 1975

NSN 7610-00-V99-0005, AM General Number 10403, Service Parts Catalog, Issued September 1975

The subject kit, Part No. 5950673, is no longer available from the original supplier; therefore, use AMG Part Number 5550237 as a replacement. Part No. 5550237 is interchangeable with Part No. 5950673.

Bulletin No. PS-181

Date 10-26-77

AM General Corporation

701 Chippewa Avenue South Bend, Indiana 46680

TELEPHONE (219)-237-6222

TECHNICAL DATA BULLETIN

SERVICE PARTS

SUBJECT: Multi-Item Service Information

VEHICLES AFFECTED: Model DJ and FJ Series

DISTRIBUTOR ROTOR

The following improved rotor, now in use by American Motors, has a 0.030 inch shorter blade installed in the Distributor Assembly:

<u>Part Number</u>	<u>Description</u>	<u>Quantity</u>
8126320	Rotor	1

Note: The new rotor has no adverse effect to the parts longevity or engine performance. The improved rotor can be identified by an X or a black mark on the rotor blade. Distributor Assemblies with the improved rotor are identified by a Magic Marker slash across the vacuum advance housing.

CONNECTING ROD BEARING NOISE

Some early 1977 Six Cylinder Engines may produce bearing noise which is noticeable either while the engine is idling or decelerating from 35 to 25 M.P.H. with the throttle closed. Cause and corrective procedure is outlined in Bulletin Number PS-133, dated 5-10-77.

ATTACHING NUTS - FRONT EXHAUST PIPE TO EXHAUST MANIFOLD; ALL MODELS

The Hex Nuts, Part Number 5351688 (six cylinder and V-8), used to attach the Front Exhaust Pipe to the Exhaust Manifold, have a locking feature which is destroyed when the nuts are removed. Whenever the nuts are removed for any reason, new nuts must be installed to assure proper torque retention.

Bulletin No. PS-190

Date 2-13-78

AM General Corporation

701 Chippewa Avenue South Bend, Indiana 46680

TELEPHONE (219) 237-8222

TECHNICAL DATA BULLETIN

SERVICE PARTS

Subject: Short Engine Assembly Part Number Change

Vehicle Affected: Model FJ-8 One-Half Ton Parcel Delivery Truck

Model DJ-5B Dispatcher 100

Model DJ-5C Dispatcher 100

Publications Affected: Model FJ-8 Service Parts List
Publication Number 10,203-PL
Issued September 1972

Model DJ-5B Parts List Manual
Publication Number 10,103-PL
Issued January 15, 1972

Model DJ-5C Service Parts Catalog
NSN 7610-00-V99-0002
AM General Number 10503
Issued September 1975

Part number 8124962 - Short engine assembly - is superseded by part number 8125458.

Please notate this change in the appropriate parts list or parts manual.

Bulletin No. PS-193

Date 3-9-78

AM General Corporation

701 Chippewa Avenue South Bend, Indiana 46680

TELEPHONE (219) 237-6222

TECHNICAL DATA BULLETIN

SERVICE PARTS

Subject: Left and Right Door Shell

Vehicles Affected: Models DJ-5B, DJ-5C, DJ-5D, DJ-5F Dispatcher 100 and DJ-5E Electruck

Publications Affected: Service Parts Catalogs

DJ-5B Number 10,103-PL
Issued 1971 Revision 1-15-72

DJ-5C NSN 7610-00-V99-0002
AM General Number 10503 Issued Sept 1975

DJ-5D NSN 7610-00-V99-0008
AM General Number 10503
Issued Jan 1975 Revised April 1977

DJ-5E NSN 7610-00-V99-0011
AM General Number 10603 Issued Aug 1977

DJ-5F NSN 7610-00-V99-0023
AM General Number 5550567 Issued Sept 1977

Component parts of the Left Hand and Right Door Shell Kit are now available separately, as follows:

Part Number 5963205

Left Door Shell, Primed

Part Number 5963206

Right Door Shell, Primed

Please add these new part numbers in the appropriate listing figure of your service parts manual.

Bulletin No. PS-198

Date 7-21-79

AM General Corporation

701 Chippewa Avenue South Bend, Indiana 46680

TELEPHONE (219)-237-6222

TECHNICAL DATA BULLETIN

PRODUCT RECALL CAMPAIGN

SUBJECT: Type 'S' Product Recall Campaign
Engine Ignition Interruption

VEHICLES AFFECTED: U.S. Postal Service Vehicle Serial Numbers

DJ5C	400937	through 401582	LHD
DJ5D	5000001	through 5001427	LHD
DJ5D	5100001	through 5110500	RHD
DJ5D	6100001	through 6106360	RHD
FJ8A	421918	through 423824	RHD

A possibility exists that AM General Corporation 1/4-Ton Dispatcher and 1/2-Ton Fleet Van vehicles built between October 1, 1974 through January 31, 1976, may be subject to ignition interruption caused by an electrical malfunction at the two-wire connector located in the ignition sensor circuit. Service correction involves removal of the two-wire connector and installation of Igwire Kit, Part Number 8129812.

This Igwire Kit, Part No. 8129812, consists of the following:

<u>Item No.</u>	<u>Quantity</u>	<u>Description</u>
1	2 each	2" pieces, Heat-Shrinkable Tubing
2	1 each	3" piece, Loom
3	1 each	Resin-Core Solder

A sufficient quantity of kits will be furnished each Vehicle Maintenance Facility for vehicles involved in this campaign in accordance with the vehicle listing provided to AM General Corporation by the United States Postal Service, Washington, D.C.

CORRECTION PROCEDURE

1. Cut wires from both sides of the two-wire ignition sensor circuit connector. Cut wires as close to two-wire connector as possible (see Figure 1).
2. Slit open and peel back protective sleeve around both twenty-two gauge wires approximately four (4) inches and cut off.
3. Using thumb nail or wire stripper, strip all four wires approximately one-half (1/2) to three-quarters (3/4) of an inch.
4. Slide a two (2) inch long piece of heat shrinkable tubing over each sensor wire.
5. Slide a three (3) inch long loom over the white wire (see Figure 2).
6. Twist stripped wire ends carefully as shown in Figure 3.

7. Solder individual splices using resin-core solder from repair kit. NOTE: Be certain that the solder flows properly to avoid cold solder joints.
8. Slide the shrinkable tubing over splices and apply heat with solder gun to shrinkable tubing to form a water-tight seal (see Figure 4). NOTE: Be careful not to soften insulation on wires adjacent to solder joints.
9. Slide loom over splice on white wire to a central position. Apply tapes to wires just off ends of loom (see Figure 5). NOTE: Be sure loom ends are open for air passage.

REPORTING & REIMBURSEMENT PROCEDURES

Upon completion of repairs, AM General Corporation will reimburse the US Postal Service on a one-time billing basis upon receipt of the Campaign Certification List of vehicles. Individual claims are not to be submitted.

Your cooperation in promptly complying with this Bulletin is important to Federal Motor Vehicle Safety Regulations.

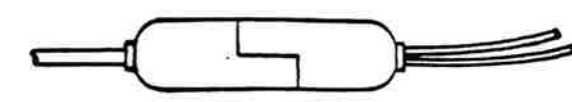
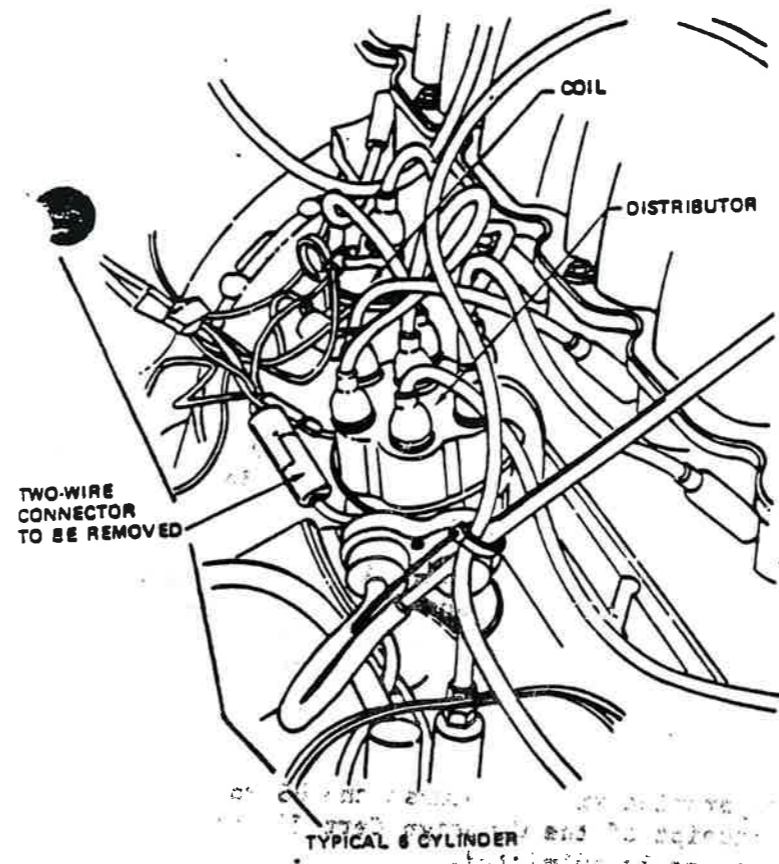


Figure 1



Figure 2

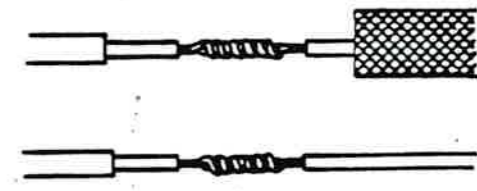


Figure 3



Figure 4

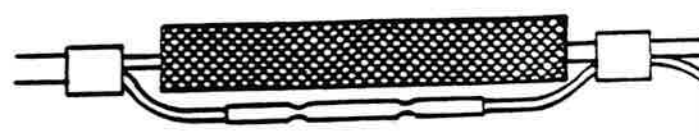


Figure 5

Engine Stalling

Consumer Services U.S. DEPARTMENT OF TRANSPORTATION
Fact Sheet National Highway Traffic Safety Administration
 Washington, D.C. 20590

December 1976

Engine stalling is a rather common problem, but one that should be easily corrected by a competent mechanic. Stalling can be particularly bothersome and even dangerous if it occurs suddenly in traffic, or when acceleration is necessary, such as at intersections or where entrance ramps merge into major highways.

The modern automobile is more sophisticated than vehicles of a half dozen years ago. With its various emission control devices and more stringent requirements for precision in timing and carburetor adjustments, the modern car is more prone to stalling out, and requires proper maintenance by the owner and periodic engine tuneups and adjustments by qualified service personnel. In order to avoid stalling problems before they begin, and rectify such problems if you experience them:

- Follow the instructions in your owner's manual for starting and warmup of your vehicle.
- Follow the manufacturer's recommended service intervals for periodic engine checks and tuneups.
- If stalling symptoms appear between regular engine tuneups, visit a qualified service establishment for an inspection and diagnosis of the problem, including a road test, and have the necessary corrections made inside the warranty symptoms. Don't wait until a major problem develops. If your vehicle is still under warranty, you should know that modifications made by a non-franchised dealer may void your warranty.

PRINCIPAL CAUSES OF ENGINE STALLING:

- Faulty or sticking automatic choke.
- Faulty carburetor operation or adjustment, e.g., idle set too low could make the car stall out when it is first started or when stopped at intersections, worn accelerator pump, dirty carburetor or air filter element, etc.
- A heat riser on the exhaust manifold that has frozen shut.
- Excessive carbon buildup in the parts of the exhaust manifold.
- A malfunctioning component in the ignition system.
- Dirt or water in the fuel.
- Clogged or leaking emission system components or hoses, e.g., clogged PCV valve.
- Clogged fuel filter.
- Faulty fuel pump which, after years or thousands of miles of use will not pump sufficient fuel—especially noticeable on hills.

Finally, a vehicle's engine operates at maximum efficiency when the engine is warmed to operating temperature. Trying to get a lot of speed or acceleration from a cold engine, especially today's more sophisticated engines, wastes stalling and accelerates deterioration of its vital systems.

Motorists, therefore, should not expect to start a cold engine and immediately attempt to drive in freeway traffic. While excessive idling to warm up an engine, particularly one equipped with a catalytic converter, is to be avoided, stalling out can be eliminated or minimized by driving the vehicle slowly for a few minutes to give the engine an opportunity to warm up.

Bulletin No. PS-211

Date 9-12-79

AM General Corporation

701 Chippewa Avenue South Bend, Indiana 46680

TELEPHONE (219) 237-6222

TECHNICAL DATA BULLETIN

SERVICE PARTS

Subject: Oil Pump for M-43 Transmission

Applicability: Models DJ-5B and DJ-5C

Oil pumps for M-43 Transmission, AM General part number 5950911 (Warner Gear number 35-4A60) received from AM General on shipping documents dated between July 1 and September 15, 1979, should be returned to AM General for rework. Replacement oil pumps should be reordered. Credit will be issued upon receipt of returned pumps. Freight should be prepaid and credit will include freight charges.

[Faint, illegible text and stamps, possibly a routing slip or internal memo, located on the left page of the notebook.]

Technical Data Bulletin

Bulletin No. PS-220
Section No. 10
Date 11/10/80



USPS Service Publications

SUBJECT: TIE ROD END KIT
PART NUMBER CORRECTION

VEHICLE AFFECTED: DJ-5C

PUBLICATION AFFECTED: DJ-5C Service Parts Catalog
NSN 7610-00-V99-0002
AM General Number 10303
Issued September, 1975
Figure 10-1 and Page 10-3

Please make the following changes in the above publication:

- Tie rod end kit part number 5950744 has been replaced with part number 990934.
- Tie rod tube kit is now serviced in the assembly, part number 5950685 only.
- Item number 6, Figure 10-1 Page 10-3, should be changed to read item number 7.
- Item number 7, Figure 10-1 Page 10-3, should be changed to read item number 6.

 **AM General Corporation**
701 West Chippewa Avenue South Bend, Indiana 46680

Technical Data Bulletin

Bulletin No. PS-234
Section No. See Below
Date 3/26/81



USPS Service Publications

SUBJECT: WINDSHIELD FRAME AND WEATHERSEAL PARTS USAGE AND SERVICE PROCEDURE APPLICABILITY

VEHICLES AFFECTED: DJ-5C, DJ-5D, DJ-5E, and DJ-5F

PUBLICATIONS AFFECTED:	
DJ-5C Service Parts Catalog NSN 7610-00-V99-0002 AM General Number 10303 Issued September, 1975 Section 14, Page 14-5, Figure 14-3	DJ-5C Service Manual FSN 7610-00-V99-0003 AM General Number 10302-SM Issued June 1, 1974 Section 5, Page S-4, Paragraph S-6
DJ-5D Service Parts Catalog NSN 7610-00-V99-0008 AM General Number 10503 Issued January, 1975 Reissued April, 1977 Section 14, Page 14-5, Figure 14-3	DJ-5D Service Manual NSN 7610-00-V99-0009 AM General Number 10502-SM Issued January, 1975 Revised April, 1977 Section 5, Page S-4, Paragraph S-6
DJ-5E Service Parts Catalog NSN 7610-00-V99-0011 AM General Number 10603 Issued March, 1975 Reissued August, 1977 Section 10, Page 10-5, Figure 10-3	DJ-5E Service Manual NSN 7610-00-V99-0012 AM General Number 10602-SM Issued February, 1975 Section 14, Page 14-3, Paragraph 14-6
DJ-5F Service Parts Catalog NSN 7610-00-V99-0023 AM General Number 5550567 Issued April, 1979 Section 14, Page 14-5, Figure 14-3	DJ-5F Service Manual NSN 7610-00-V99-0024 AM General Number 5550568 Issued April, 1979 Section 5, Page S-4, Paragraph S-6

Because of changes in Federally mandated safety standards a redesigned windshield frame and weatherseal were incorporated in late production DJ-5F (Usage Code C) vehicles. The later style windshield frame (P/N 5902889) and weatherseal (P/N 5565577) are now substituted whenever an original frame must be replaced. The original weatherseal (P/N 979140) is still available and continues to be used when the existing frame (P/N 5950455) is serviceable.

1. **PARTS** - Please annotate your copies of the affected parts catalogs to reflect the new replacement part numbers shown in the chart on page 2.

continued . . .

AM General Corporation
701 West Chippewa Avenue South Bend, Indiana 46680

VEHICLE MODEL	ORIGINAL W/S FRAME P/N	ORIGINAL W/S WEATHERSEAL P/N	REPLACEMENT W/S FRAME P/N	REPLACEMENT WEATHERSEAL
-5C -5D -5E -5F (Usage Code A & B)	1 5950455	3 979140	5902889	5565577
	5950455	979140	5902889	5565577
	5950455	979140	5902889	5565577
	5950455	979140	5902889	5565577
-5F (Usage Code C)	2 5565576	5565577	5902889	5565577

- NOTE 1: W/S Frame P/N 5950455 is no longer available; replace with P/N 5902889.
 NOTE 2: W/S Frame P/N 5565576 is no longer available; replace with P/N 5902889. These two frames are identical except for weldable sealer spec.
 NOTE 3: W/S Weatherseal P/N 979140 remains available and must be used with frame P/N 5950455 when only the weatherseal is being replaced.
 NOTE 4: W/S Weatherseal P/N 5565577 must be used with frame P/N 5565576 or frame P/N 5902889.

PARTS IDENTIFICATION - The following weatherseal cross sections and vehicle illustrations will help you identify the windshield frame assembly used on a DJ-5C, DJ-5D, DJ-5E or DJ-5F vehicle.

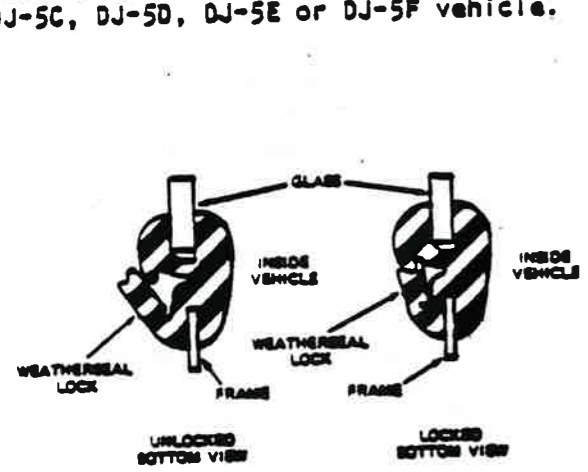


FIGURE 1. WINDSHIELD WEATHERSEAL 979140

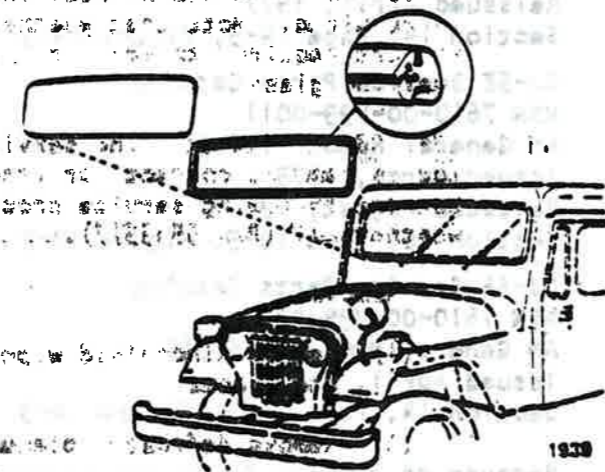


FIGURE 2. WINDSHIELD FRAME ASSEMBLY PART NUMBER 5950455

Above components original equipment for vehicle models DJ-5C, DJ-5D, DJ-5E, and DJ-5F (usage code A and B). Note that the weatherseal lock is on the outside of the vehicle. Two men are required to work from the outside to facilitate installation of weatherseal and glass.

continued . . .

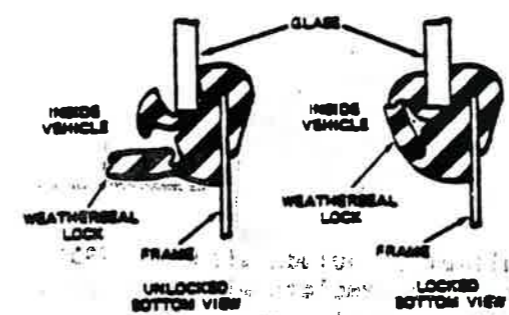


FIGURE 3. WINDSHIELD WEATHERSEAL 5565577

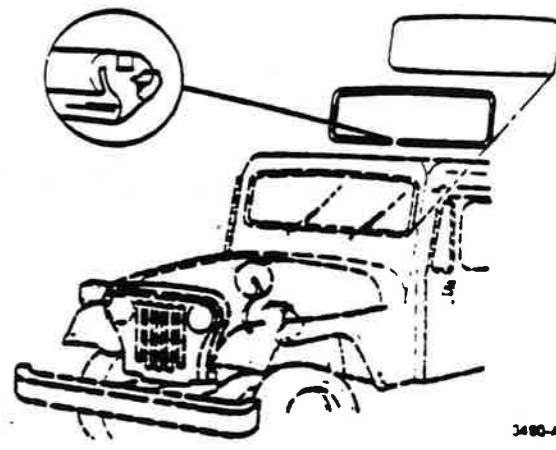


FIGURE 4. WINDSHIELD FRAME ASSEMBLY PART NUMBER 5902889

Above components original equipment on DJ-5F (usage code C) and DJ-5G. Use above frame and weatherseal in combination when replacement of frame 5950455 is required. Note that weatherseal lock is on the inside of the vehicle. Two men are required to work from the inside to facilitate installation of weatherseal and glass.

III. **SERVICE** - The existing service manual procedure for the affected vehicle models remains correct for frame (P/N 5950455) and weatherseal (P/N 979140). Use the following service procedure for the new frame (P/N 5902889) and weatherseal (P/N 5565577).

- a. **Remove**
- (1) Remove windshield wiper arms and blades.
 - (2) Remove defroster plenum.
 - (3) Use a wooden wand constructed as shown in Figure 5 to unlock the weatherseal.
 - (4) Insert wand into weatherseal lock at junction where weatherseal ends meet on inside of frame.
 - (5) Use wand to break seal between windshield glass and weatherseal.
 - (6) Removing the windshield from the weatherseal should be performed by two men, one man pushing the lower outside section and the other man lifting from the inside as the windshield comes free.
 - (7) Remove weatherseal from opening and clean old sealer from glass cavity.
 - (8) If windshield has been removed for reasons other than damaged glass and is to be reused, clean hardened sealer from glass edges.

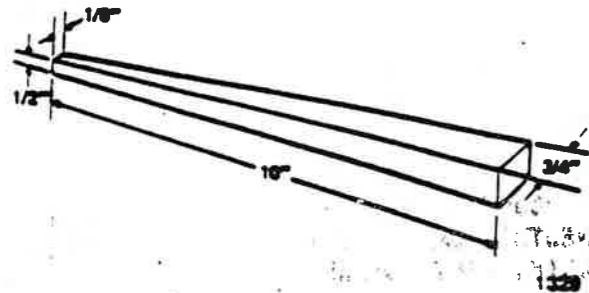


FIGURE 5. WOODEN WAND

b. Installation

- (1) Inspect for uneven surfaces or irregularities in the windshield opening flange, and repair as necessary.
- (2) Install the weatherseal on the windshield opening flange with joint of weatherseal at bottom of opening.
- (3) Apply windshield sealer AMG No. 4551671 or equal, to bottom of glass cavity and a glass slip lubricant (not detrimental to windshield glass plastic interlayer) to inner surfaces of weatherseal lips.
- (4) With two men working on the inside of the vehicle, work windshield into upper glass cavity and into each side. Position wooden wand under bottom of glass and lift windshield up and into the lower glass cavity. Check for equal side clearance.

- (5) Use the wooden wand to lock weatherseal.
- (6) Clean excess sealer from windshield and weatherseal.
- (7) Test windshield for water leaks and reseal as necessary.
- (8) Install defroster plenum.

Technical Data Bulletin



Bulletin No. PS-242
 Section No. See Below
 Date 1/9/81

USPS Service Publications

SUBJECT: PRODUCT IMPROVEMENT CAMPAIGN
 NEUTRAL SAFETY SWITCH REINFORCEMENT
 CLIP, PART NUMBER 5566974

VEHICLES AFFECTED: All Vehicles as listed below:

MFG'S. MODEL NO.	VEHICLE SERIAL NO.
DJ-5C LHD	500001 through 500452
DJ-5C RHD	510001 through 511061
DJ-5D RHD	5500001 through 5500012
FJ-8A RHD	520001 through 520197
FJ-8B RHD	530001 through 530400

PUBLICATIONS AFFECTED:

DJ-5C Service Parts Catalog
 NSN 7610-00-V99-0002
 AM General Number 10303
 Issued September, 1975
 Figure 6-15 and Page 6-17

DJ-5D Service Parts Catalog
 NSN 7610-00-V99-0008
 AM General Number 10503
 Issued January, 1975
 Figure 6-15 and Page 6-17

FJ-8A Service Parts Catalog
 NSN 7610-00-V99-0005
 AM General Number 10403
 Issued September, 1975
 Figure 6-15 and Page 6-17

FJ-8B Service Parts Catalog
 AM General Number 10703
 Issued March, 1975
 Figure 6-15 and Page 6-17

DJ-5C Service Manual
 FSN 7610-V99-0003
 AM General Number 10302-SM
 Issued June 1, 1974
 Section 1, Page 1-43

DJ-5D Service Manual
 NSN 7610-00-V99-0009
 AM General Number 10502-SM
 Issued February, 1975
 Section 1, Page 1-46

FJ-8A Service Manual
 NSN 7610-00-V99-0006
 AM General Number 10402-SM
 Issued June, 1975
 Section 1, Page 1-62

FJ-8B Service Manual
 AM General Number 10702-SM
 Issued May 15, 1975
 Section 1, Page 1-42

- Over -

AM General Corporation
 701 West Chippewa Avenue South Bend, Indiana 46600

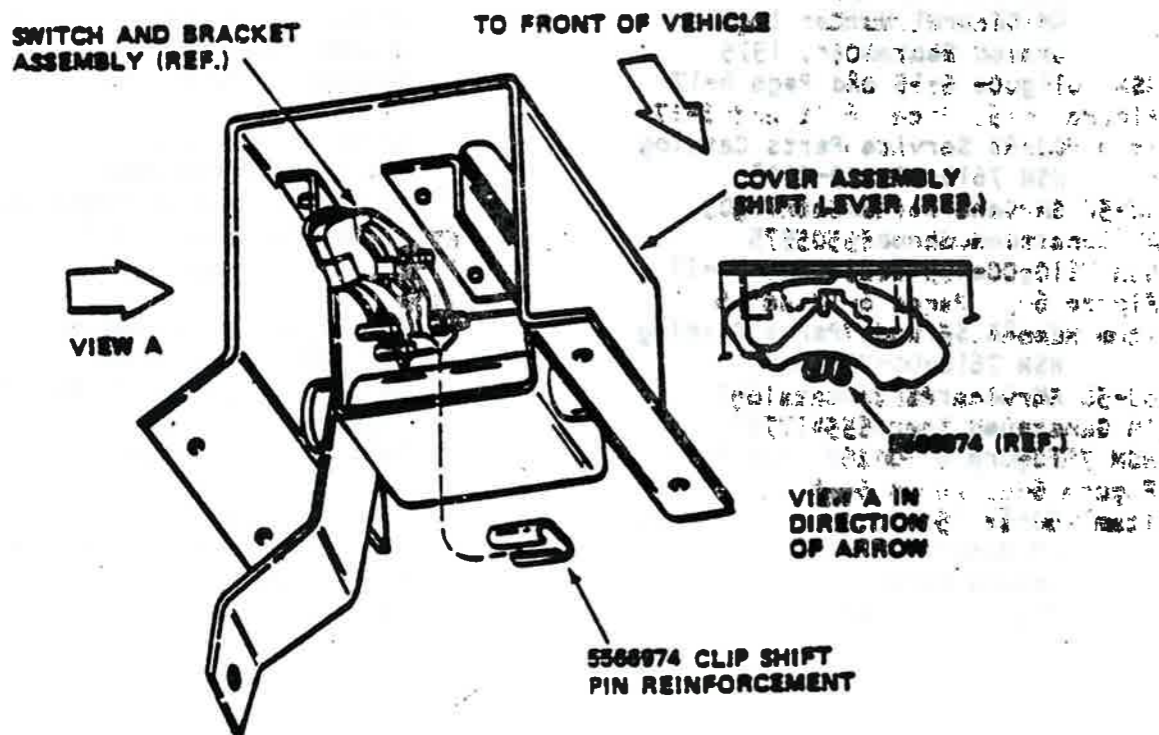
Please add the following information to the pages indicated in the service parts catalog for the DJ-5C, DJ-5D, FJ-8A and FJ-8B.

NOTE: The FJ Series 1/2 Ton vehicle shift control which contains the neutral safety switch is located on the instrument panel, while on the DJ Series 1/4 Ton vehicles the shift control is floor mounted. The following procedure is applicable to both.

A reinforcement clip, part number 5566974, has been added to the neutral safety switch, part number 990248. This clip will extend the serviceable life of the switch. When a new neutral safety switch is ordered, kit part number 5554673 will be supplied consisting of both a new switch and clip.

Installation procedure for reinforcement clip, part number 5566974:

1. Utilizing the following illustration (1/4 ton DJ Series vehicle location shown), install the reinforcement clip from rear of shift lever cover.
2. Slide reinforcement clip over plastic tabs of neutral safety switch.



Technical Data Bulletin

Bulletin No. PS-244
Section No. See Below
Date 3/26/81



USPS Service Publications

SUBJECT: TRANSMISSION CONTROL LATCH AND TUBE

VEHICLES AFFECTED: DJ-5B, DJ-5C, DJ-5D, DJ-5F, DJ-5G, FJ-8, FJ-8A, FJ-8B, and FJ-9

PUBLICATIONS AFFECTED:

- | | |
|---|---|
| DJ-5B Service Parts Catalog
AM General Number 10103-PL
Figure 17-08, Pages 17-13 and 17-15
Item Numbers 3 and 5 | FJ-8 Service Parts Catalog
AM General Number 10203-PL, Rev. 4
Figure 44, Pages 17-12 and 17-13
Item Numbers 6 and 11 |
| DJ-5C Service Parts Catalog
AM General Number 10303
NSN 7610-00-V99-0002
Figure 6-15, Pages 6-16 and 6-17
Item Numbers 6 and 8 | FJ-8A Service Parts Catalog
AM General Number 10403
NSN 7610-00-V99-0005
Figure 6-15, Pages 6-16 and 6-17
Item Numbers 6 and 7 |
| DJ-5D Service Parts Catalog
AM General Number 10503
NSN 7610-00-V99-0008
Figure 6-15, Pages 6-16 and 6-17
Item Numbers 6 and 8 | FJ-8B Service Parts Catalog
AM General Number 10703
Figure 6-15, Pages 6-16 and 6-17
Item Numbers 6 and 7 |
| DJ-5F Service Parts Catalog
AM General Number 5550567
NSN 7610-00-V99-0023
Figure 6-5, Pages 6-12 and 6-13
Item Numbers 5 and 7 | FJ-9 Service Parts Catalog
AM General Number 5550460
NSN 7610-00-V99-0020
Figure 6-5, Pages 6-12 and 6-13
Item Numbers 7 and 10 |
| DJ-5G Service Parts Catalog
AM General Number 5554177
NSN 7610-00-V99-0026
Figure 6-5, Pages 6-14 and 6-15
Item Numbers 5 and 7 | |

continued . . .

AM General Corporation
701 West Chippewa Avenue South Bend, Indiana 46680

Technical Data Bulletin



USPS Service Publications

SUBJECT:

DJ-5 Dash Decal,
Part Number 5995428

VEHICLES AFFECTED:

DJ-5A, DJ-5B, DJ-5C, DJ-5D,
DJ-5E, DJ-5F, DJ-5G, DJ-5L,
Dispatcher 100, 1/4-Ton
Light Delivery Vehicles

This bulletin contains information on the installation of DJ-5 Dash Decals, part number 5995428, shown following, produced and distributed to United States Postal Service Vehicle Maintenance Facilities by AM General Corporation (AMGC).

This light delivery truck handles and maneuvers differently than an ordinary passenger car. It is not designed as a passenger car.

Carefully read driving guidelines in the Operator's Manual and Supplement prior to operating the vehicle.

Sudden sharp turns and abrupt maneuvers may result in loss of control.

Do not operate this vehicle unless doors are latched closed.

WEAR SEAT BELTS AT ALL TIMES.

5995428

The number of new Dash Decals being supplied to each VMF is based on allocations furnished to AMGC by the Office of Fleet Management, USPS. Included with this shipment are quantities required to install one Dash Decal in every 1/4-ton delivery truck assigned per VMF location. Dash Decals for perimeter vehicles are also included.

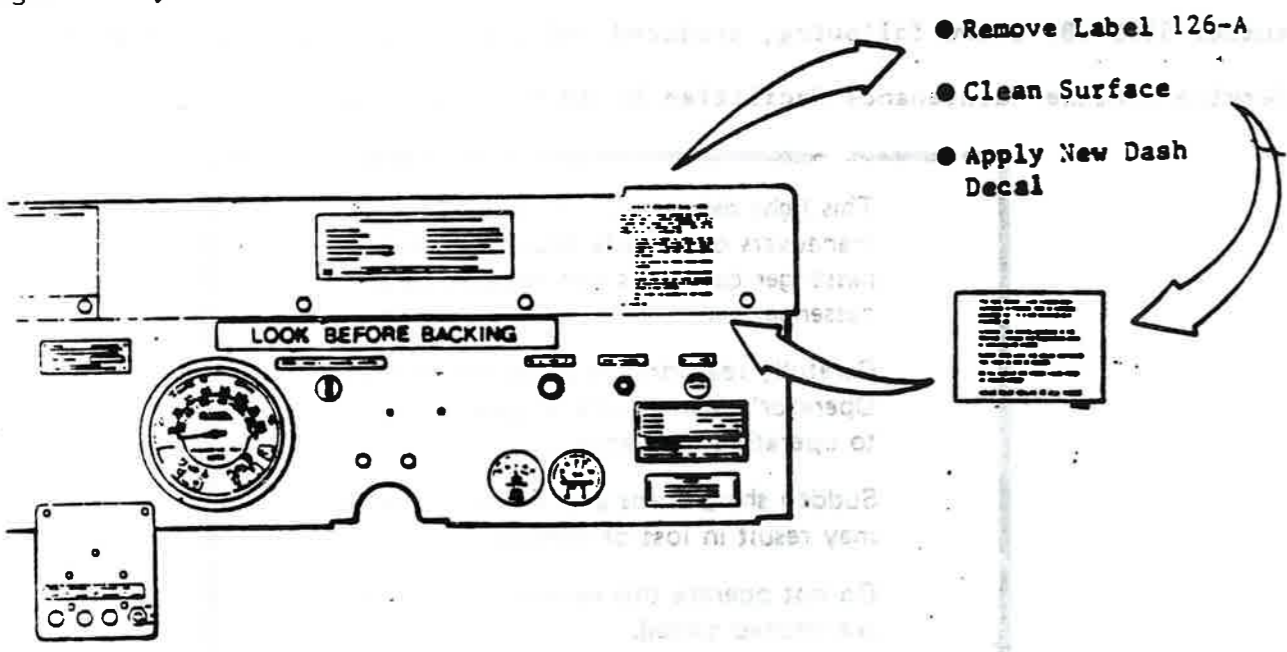
- over -
AM General Corporation
701 West Chippewa Avenue South Bend, Indiana 46680

We have been advised by our supplier that Transmission Control Shift Lever Latch Assembly, Part Number 997801 and Tube Assembly, Part Number 997802, will no longer be available as separate components. These two components will only be available in a matched set, serviced under Part Number 5554674. This new matched set is now in our stock and will be supplied on all future orders. You may exhaust your existing inventory of the individual components. Please make this change in your parts catalogs per the above listing.

Note that on Page 6-13 of the FJ-9 Parts Catalog, the part number shown for item 10 is a duplication of the part number listed for item number 7. The part number for item 10 should have been 997801.

Upon receipt of this bulletin and materials refer to USPS Fleet Management Bulletin V-05-83, item #1: "All 1/4-Ton Light Delivery Vehicles Dash Decals and Operator's Manuals". Please note that the Dash Decal application instructions in this bulletin, PS-268, supercede the information found in Fleet Management Bulletin V-05-83. The new Dash Decal is designed to replace the existing Postal Label 126-A on the right front surface of the defroster plenum.

Remove the old label 126-A regardless of its condition. Clean the area where the old label was located before affixing the replacement Dash Decal. Peel the split backing paper from the new Decal and apply to the location shown, following. Squeegee firmly.



Only one of the Dash Decals should be displayed in each DJ-5 vehicle and must remain with the vehicle when it is sold. Effective with VIN 1183505 new 49 State DJ-5L 1/4-ton vehicles will be delivered with the Dash Decals installed.

VMF's requiring additional Dash Decals should contact the AM General Parts Department in South Bend, Indiana.